

**Oldcastle** BuildingEnvelope®

1-866-Oldcastle (653-2278) - [www.obe.com](http://www.obe.com)

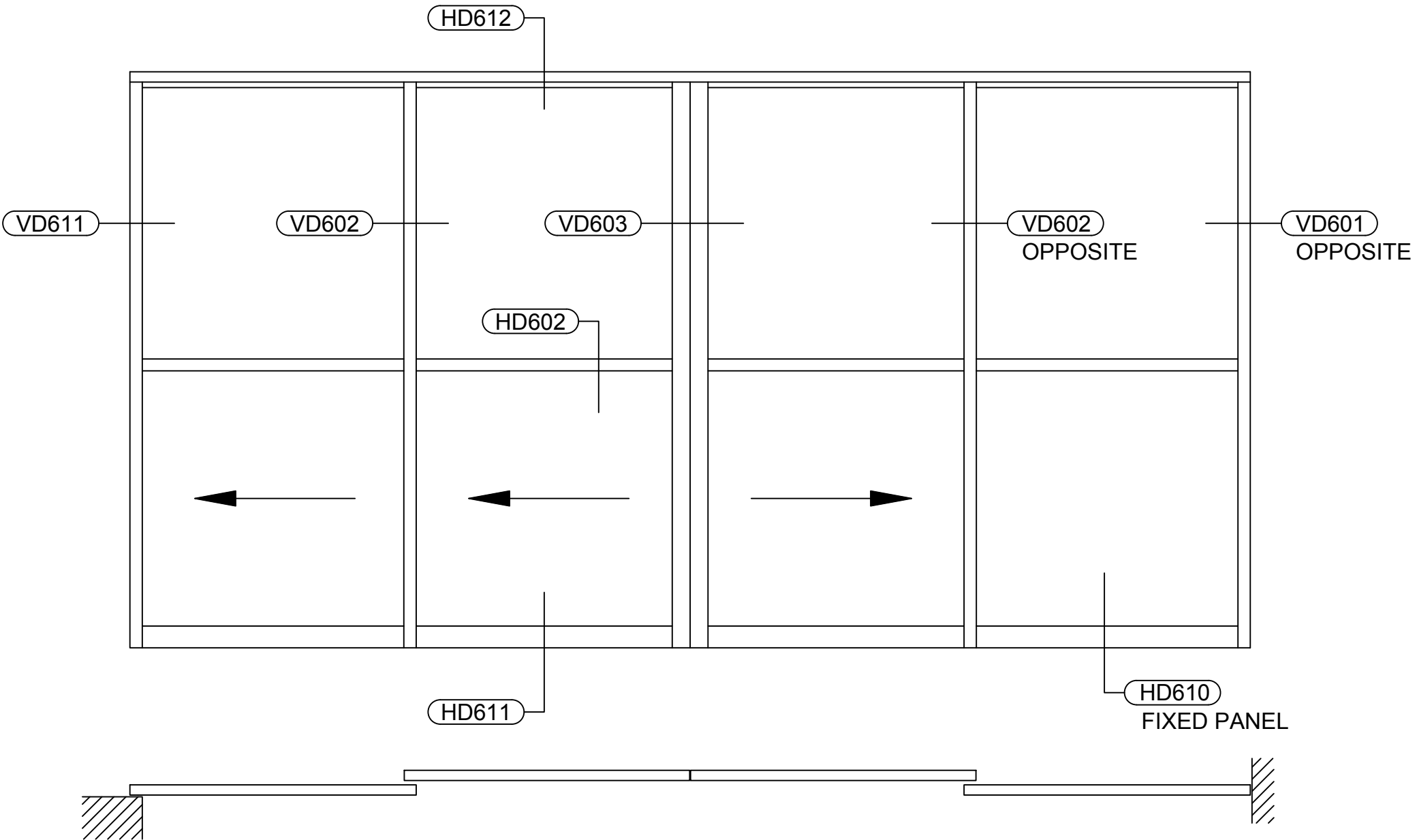
**MS-360 MALL SLIDER  
BI-PARTING**

*(Drawing numbers---i.e., HD602---used as CAD detail reference only)*

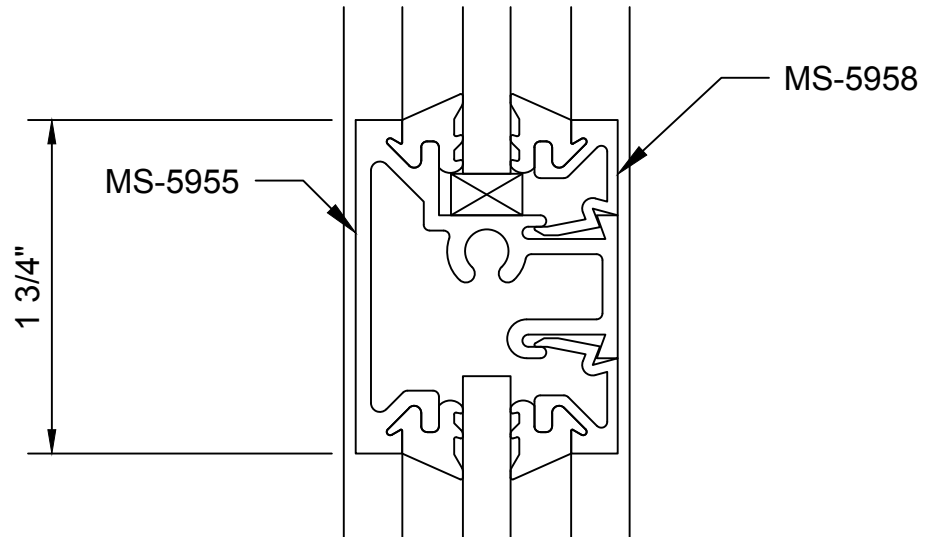
Elevation

HD602	Mid-Panel
HD610	Bottom Rails - 1Fixed x 1 Operator
HD611	Bottom Rails - 2 Operators
HD612	Top Rails
VD601	Jamb
VD602	Sliding Panels at Interlock
VD603	Meeting Stiles
VD611	Interlock Jamb for Bypassing Wall Panel

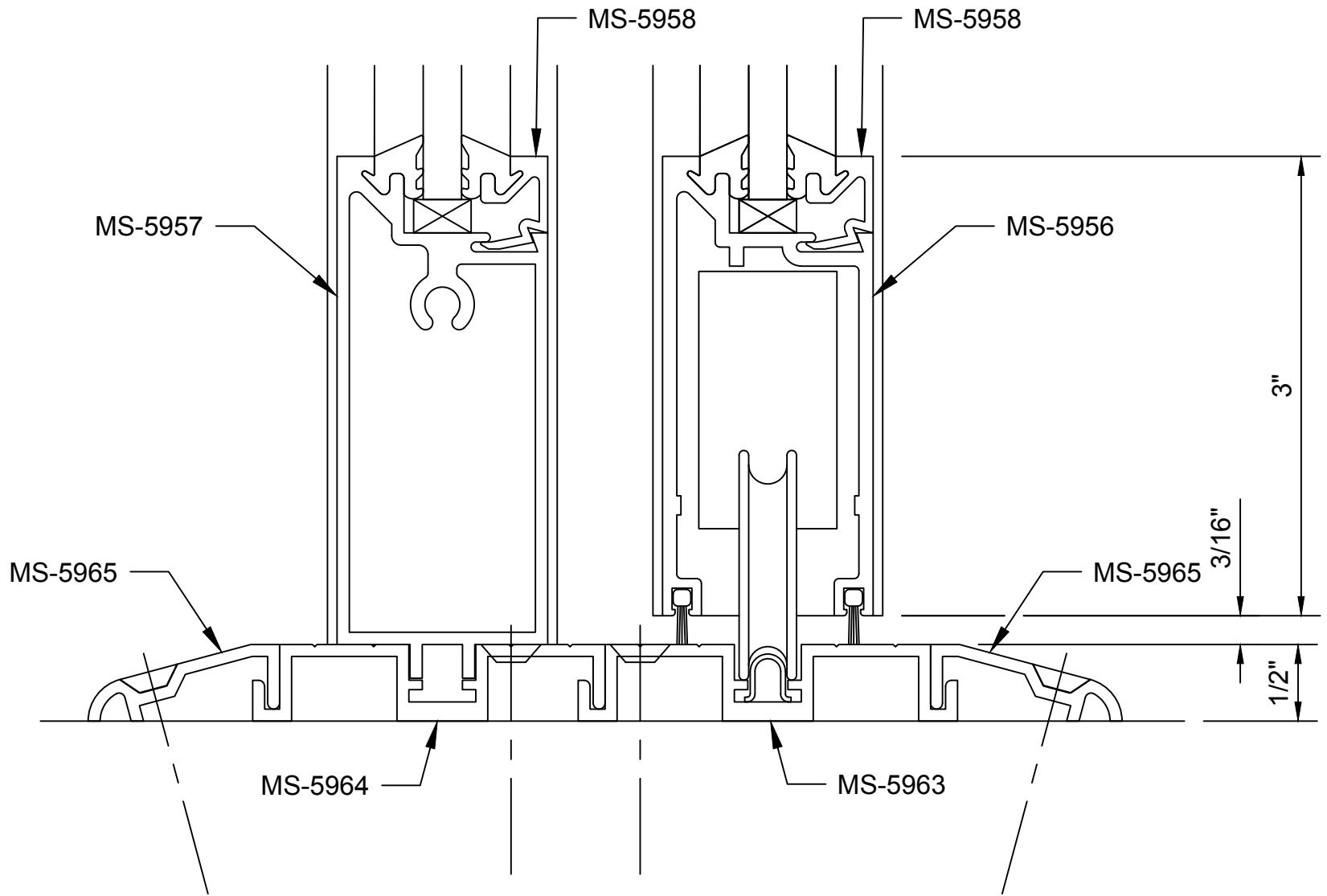
**Table of Contents**



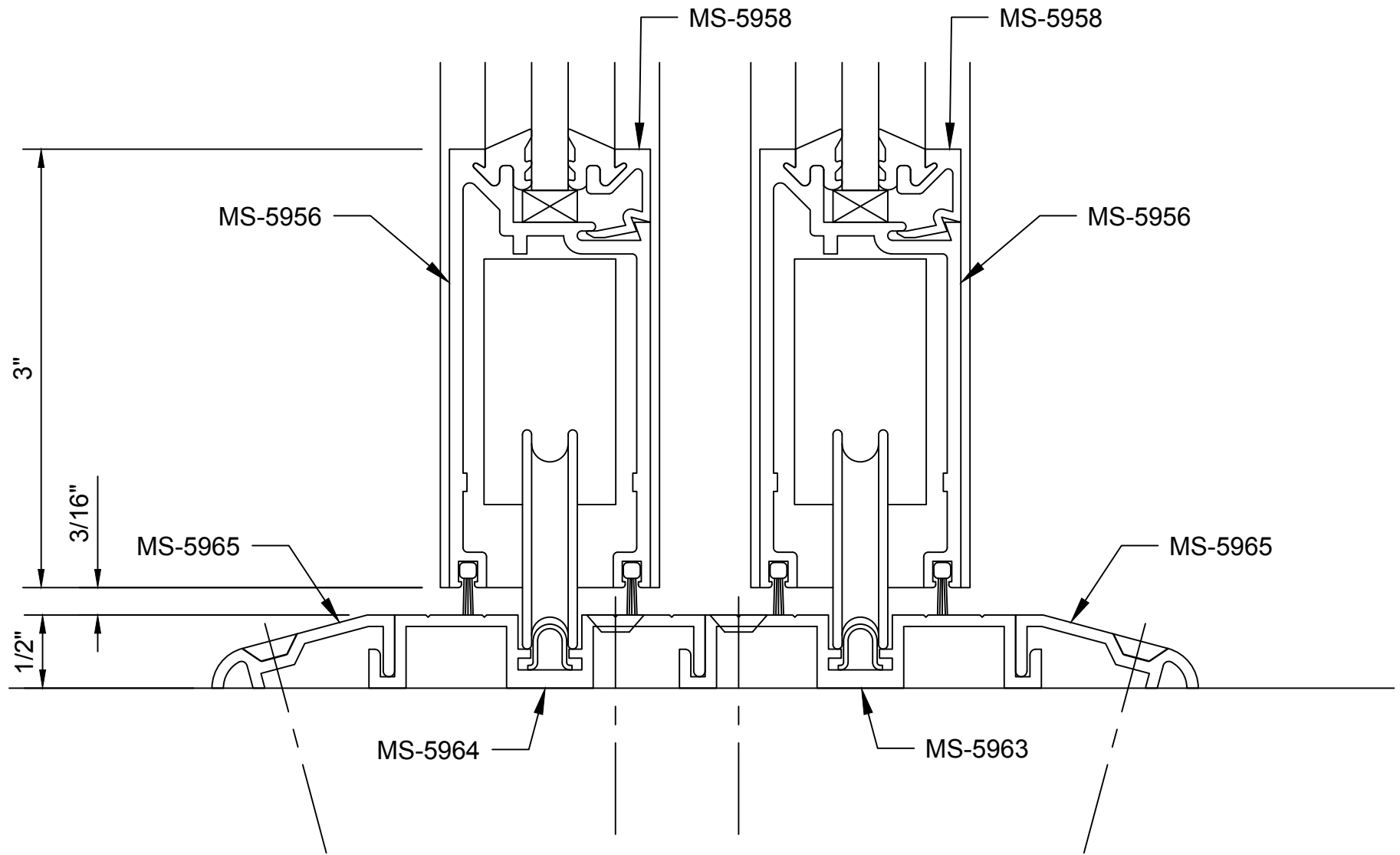
**MS-360 Mall Slider**  
**Bi-Parting - Elevation**



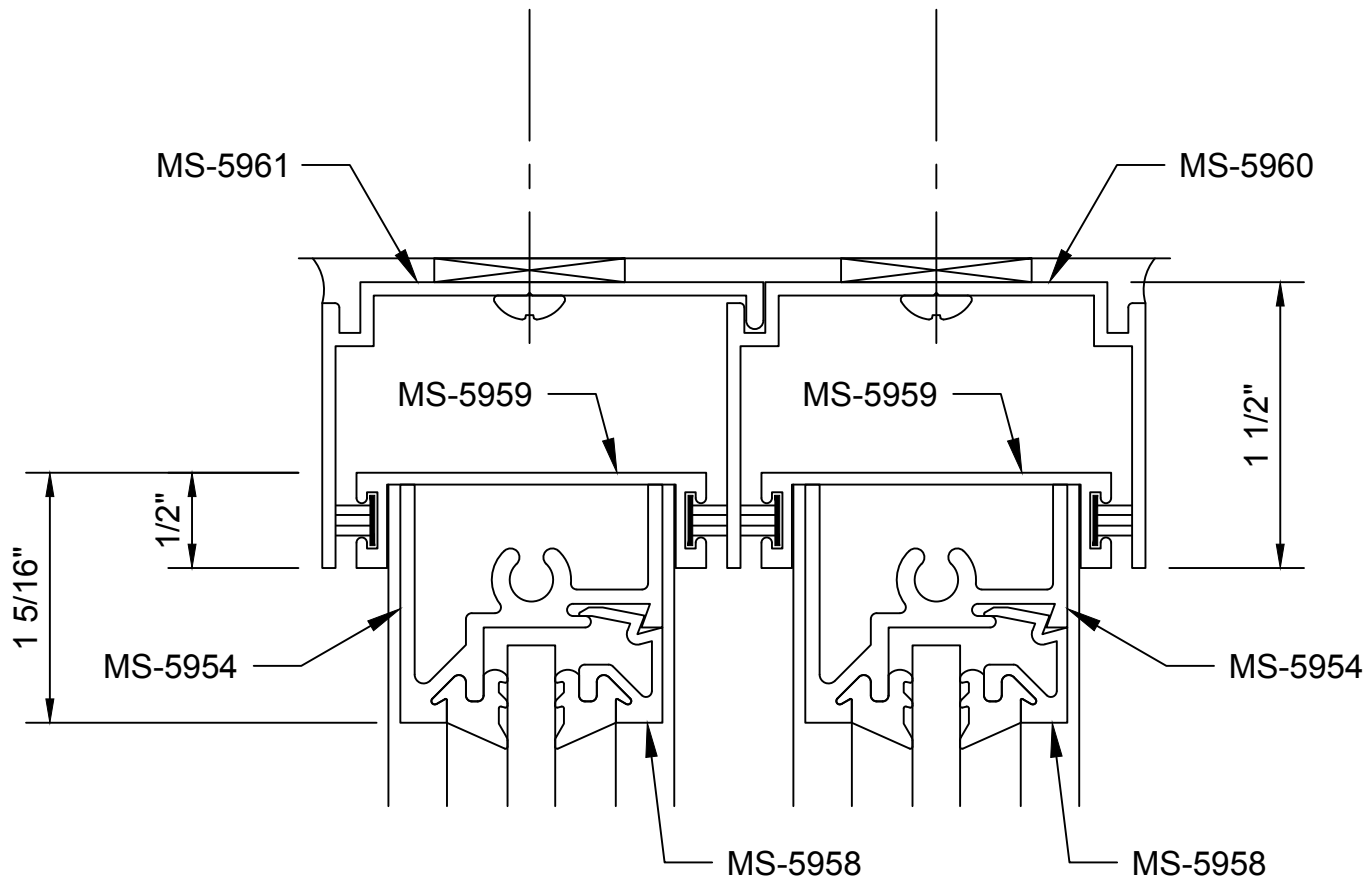
**MS-360 Mall Slider**  
**Mid-Panel - HD602**



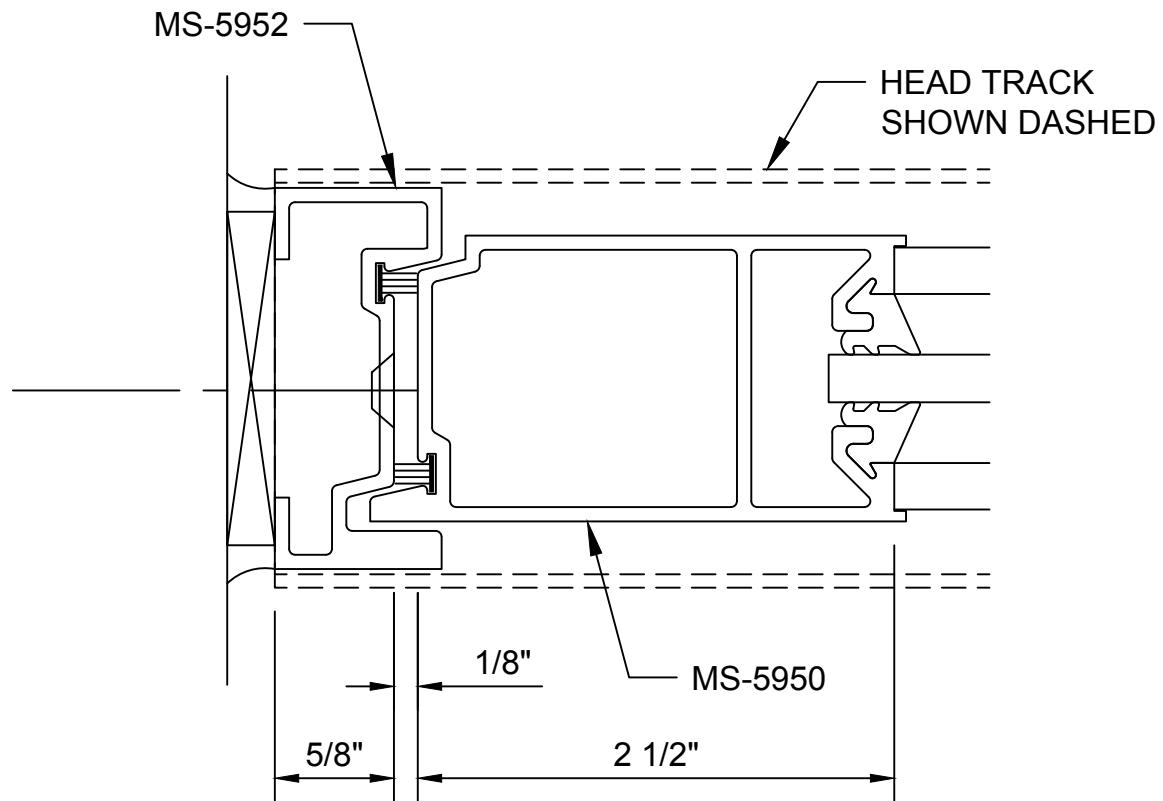
**MS-360 Mall Slider**  
**Bottom Rails - 1 Fixed/1 Operator - HD610**



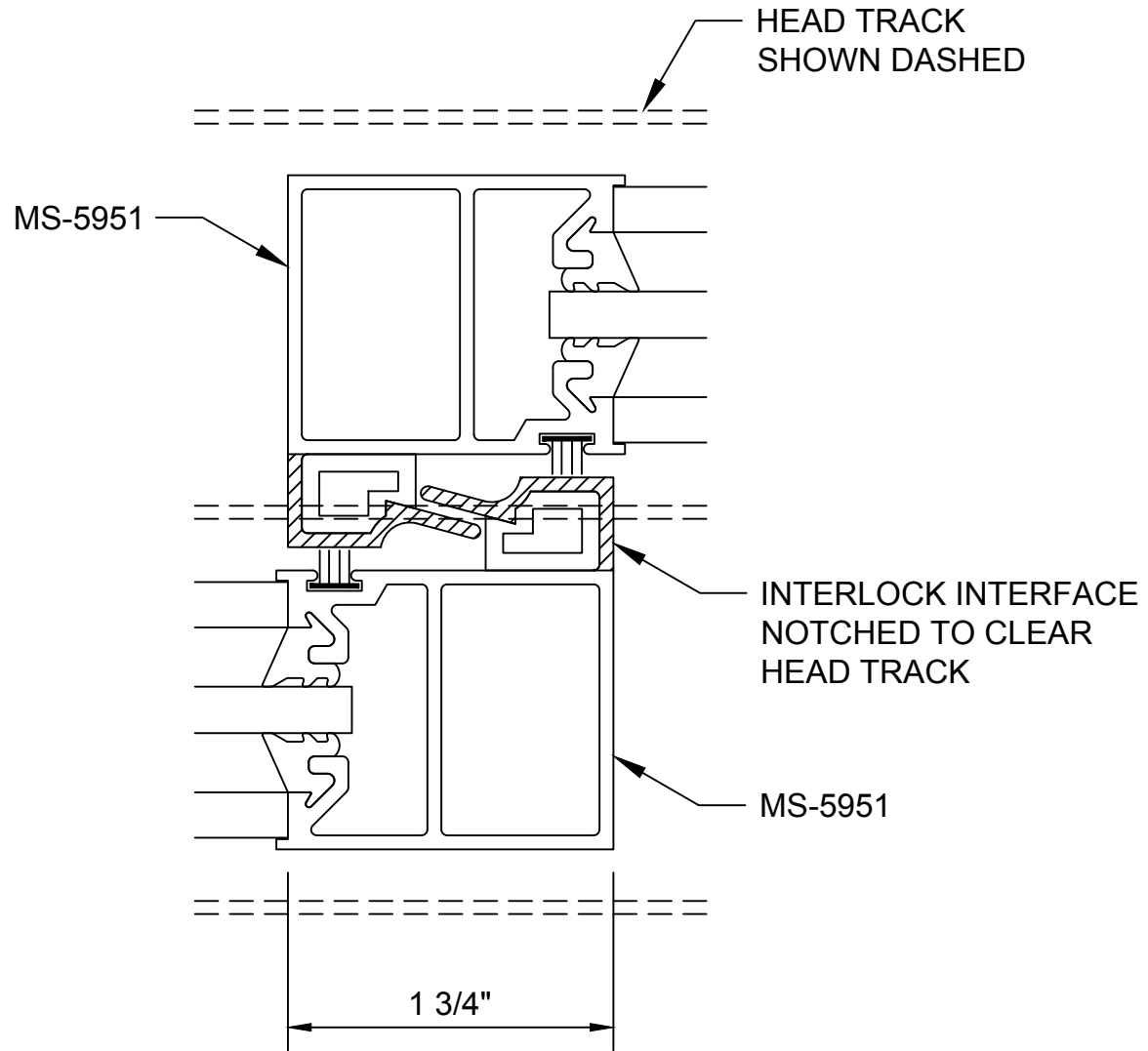
**MS-360 Mall Slider**  
**Bottom Rails - 2 Operators - HD611**



**MS-360 Mall Slider**  
**Top Rails - HD612**

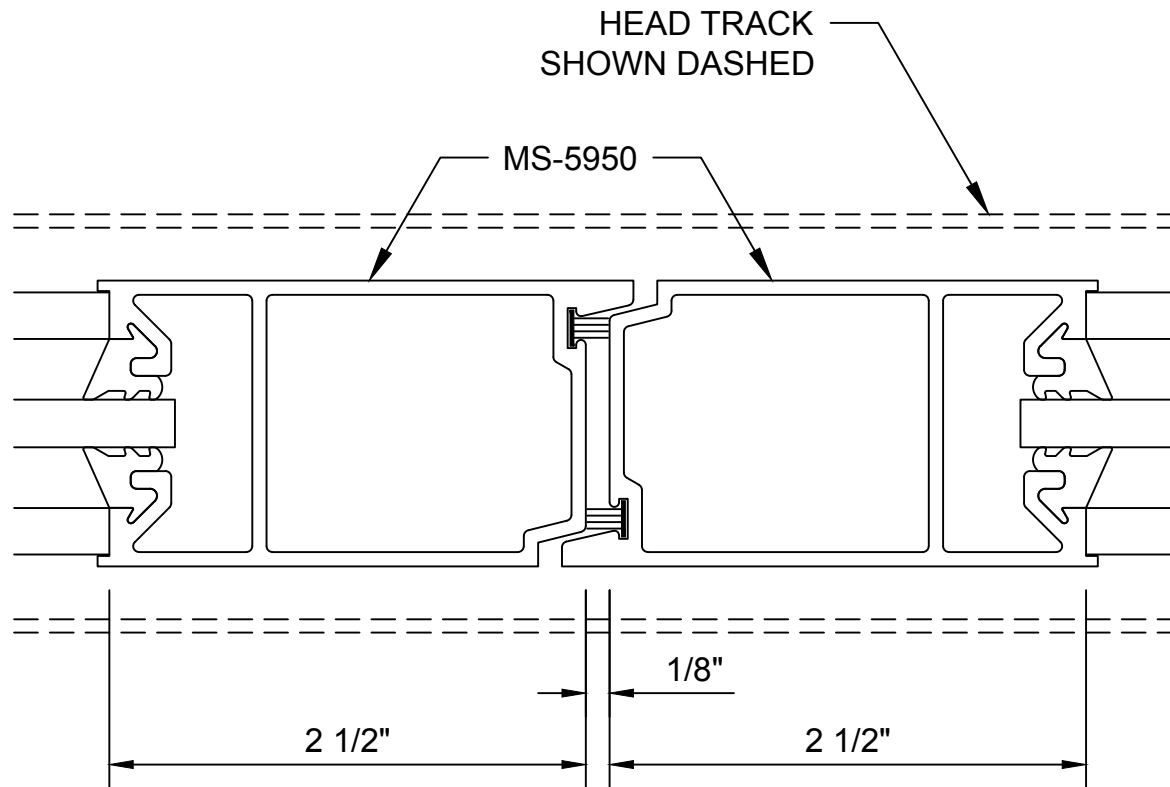


**MS-360 Mall Slider**  
**Jamb - VD601**

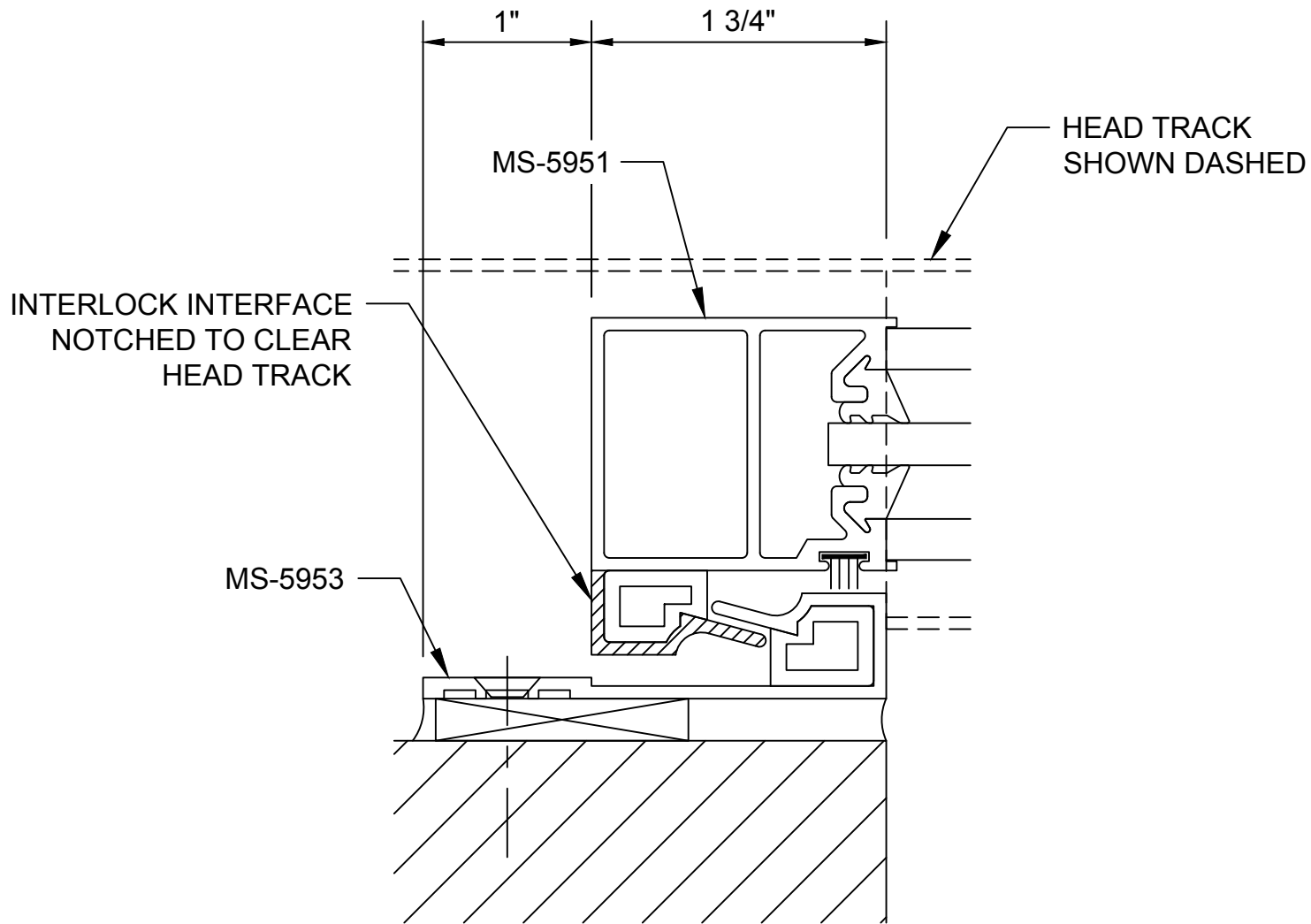


**MS-360 Mall Slider**  
**Sliding Panels at Interlock - VD602**





**MS-360 Mall Slider**  
**Meeting Stiles - VD603**



**MS-360 Mall Slider**  
**Interlock Jamb for Bypassing Wall Panel - VD611**