

Oldcastle BuildingEnvelope®

291 M Street ▪ Perrysburg, OH 43551 ▪ USA
(419) 666-2000 ▪ obe.com

STRUCTURAL GLASS SYSTEMS

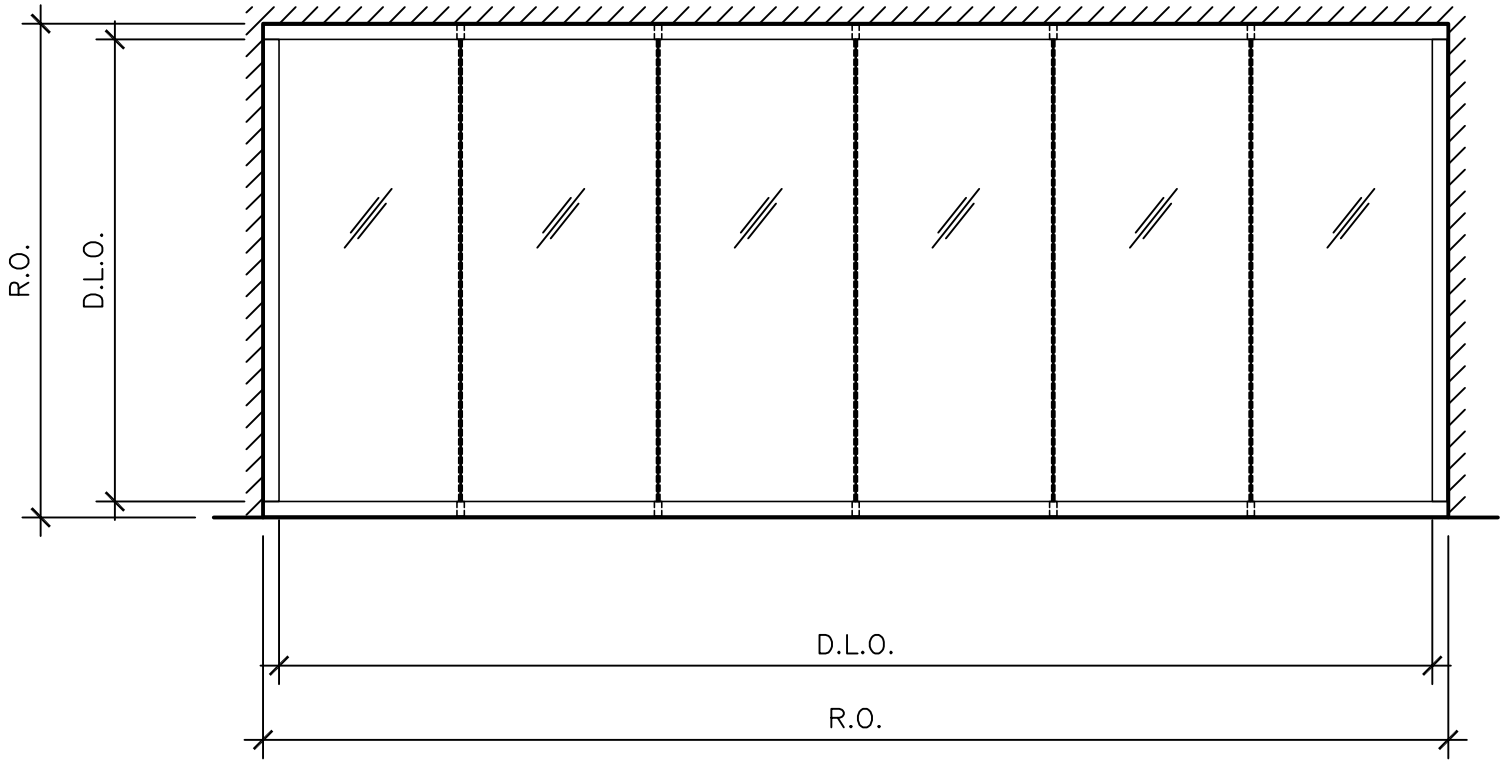
FINWALL® - MONOLITHIC GLASS

Table of Contents

Page 1 -	Elevation
Page 2 -	Section
Page 3 -	Mainplate Head
Page 4 -	Mainplate Sill
Page 5 -	Mainplate Jamb
Page 6 -	Mainplate Joint
Page 7 -	Mainplate Corner
Page 8 -	Mainplate at Fin Head
Page 9 -	Mainplate at Fin Sill
Page 10 -	Fin Head
Page 11 -	Fin Sill

GENERAL NOTES:

1. Architect to provide design wind loads for project.
2. Glass sizes are to be determined by Oldcastle BuildingEnvelope®. Architect to provide glass specifications as required for project.
3. Oldcastle BuildingEnvelope® provides all glass, fittings, channel, shop drawings and engineering calculations for the structural glass system. Oldcastle BuildingEnvelope® does not provide installation.
4. Oldcastle BuildingEnvelope® is not responsible for the steel structure or design thereof.
5. All structural drawings for the project must be submitted and reviewed by Oldcastle BuildingEnvelope® for coordination purposes.



R.O. ROUGH OPENING
 D.L.O. DAY LIGHT OPENING
 G.S. GLASS SIZE

SCALE: 1/4" = 1'-0"

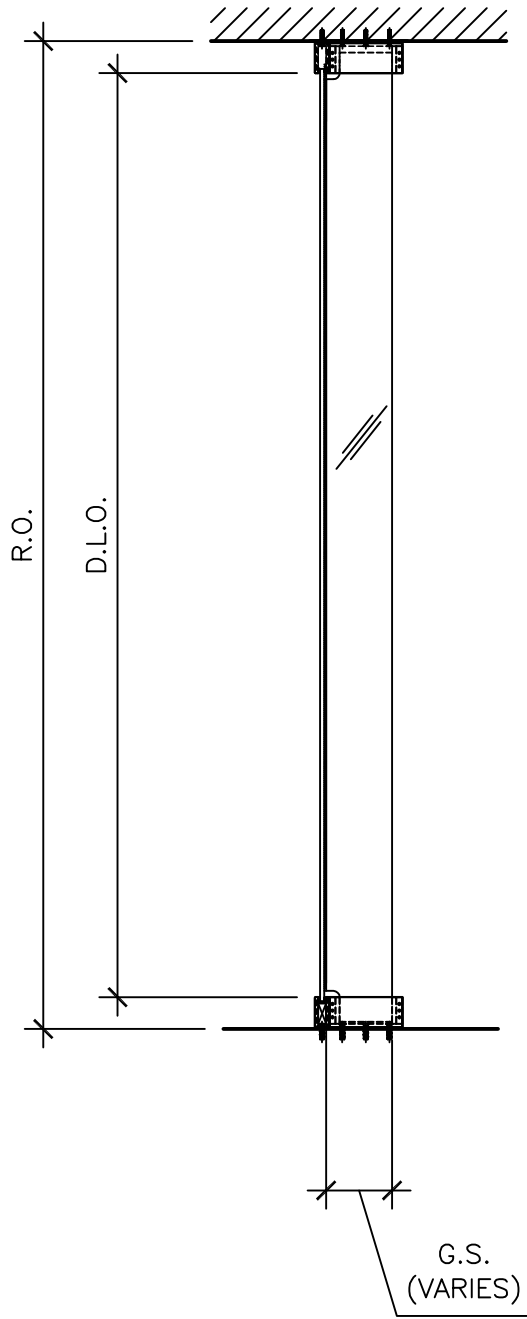


Oldcastle BuildingEnvelope

291 M Street • Perrysburg, OH 43551 • USA
 (419) 666-2000 • obe.com

FINWALL[®] - MONOLITHIC GLASS
 ELEVATION

1



R.O. ROUGH OPENING
 D.L.O. DAY LIGHT OPENING
 G.S. GLASS SIZE

SCALE: 1/2" = 1'-0"

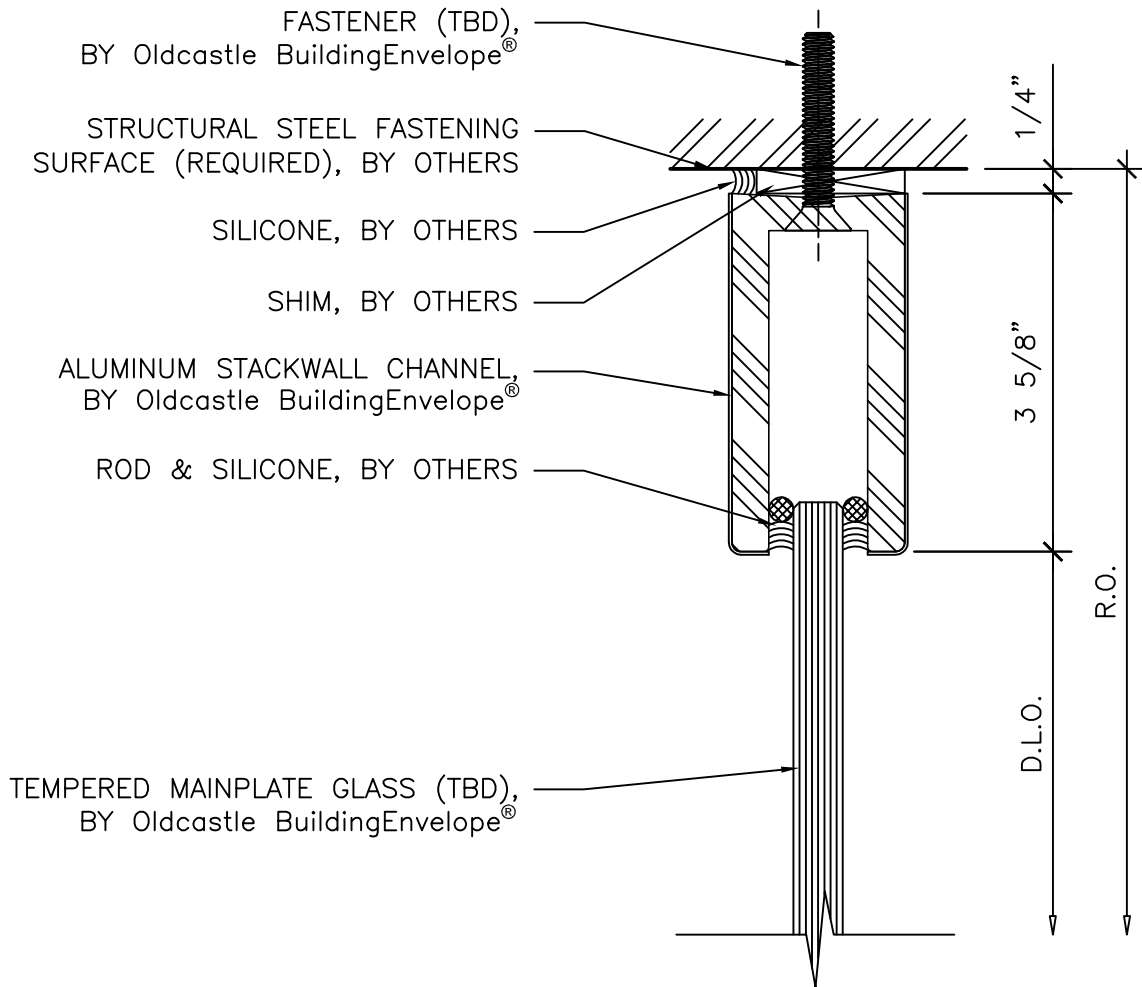


Oldcastle BuildingEnvelope[®]

291 M Street • Perrysburg, OH 43551 • USA
 (419) 666-2000 • obe.com

FINWALL[®] - MONOLITHIC GLASS SECTION

2



R.O. ROUGH OPENING
 D.L.O. DAY LIGHT OPENING
 G.S. GLASS SIZE

SCALE: 6" = 1'-0"

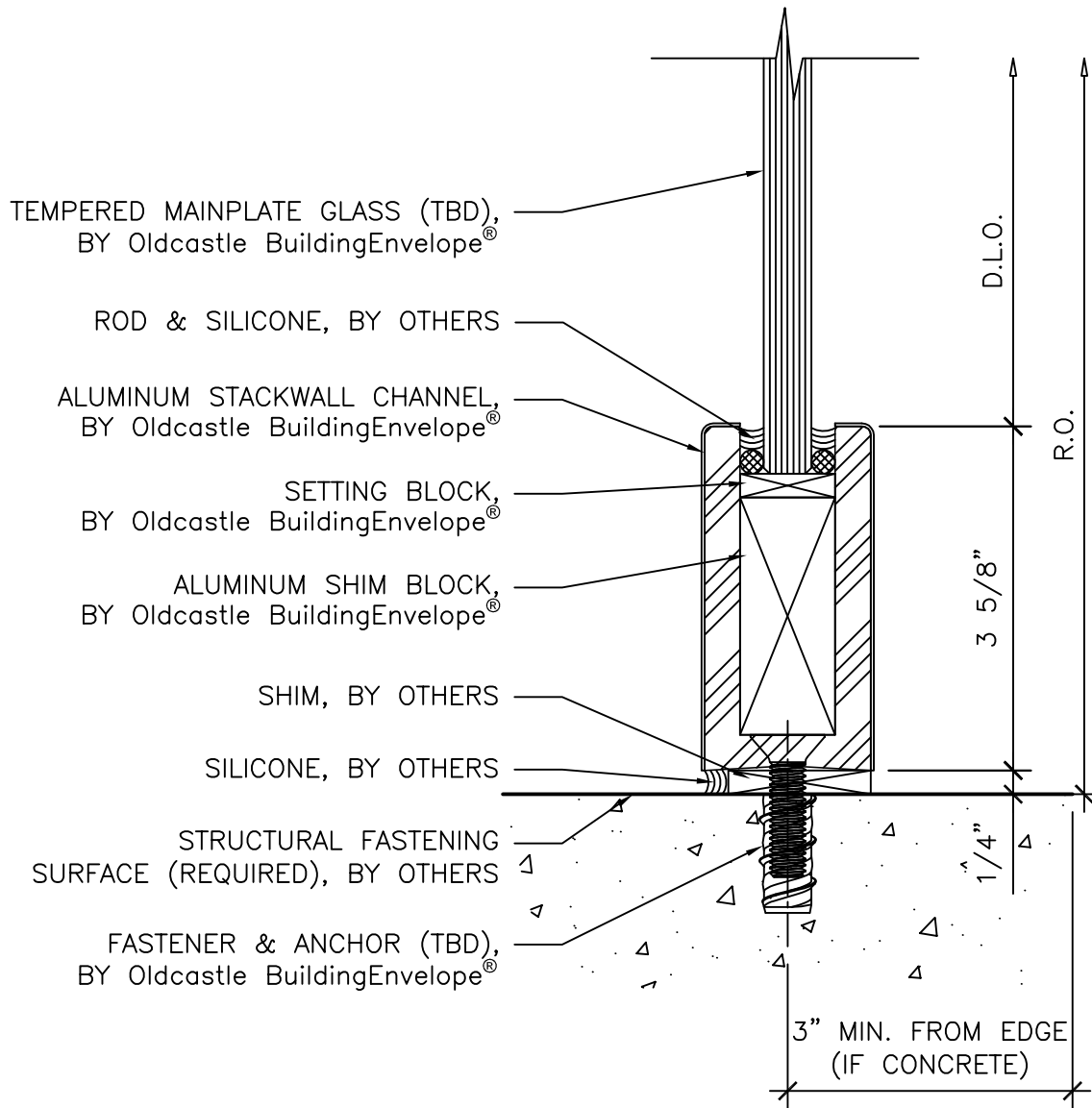


Oldcastle BuildingEnvelope®

291 M Street • Perrysburg, OH 43551 • USA
 (419) 666-2000 • obe.com

**FINWALL® - MONOLITHIC GLASS
 MAINPLATE HEAD**

3



R.O. ROUGH OPENING
 D.L.O. DAY LIGHT OPENING
 G.S. GLASS SIZE

SCALE: 6" = 1'-0"

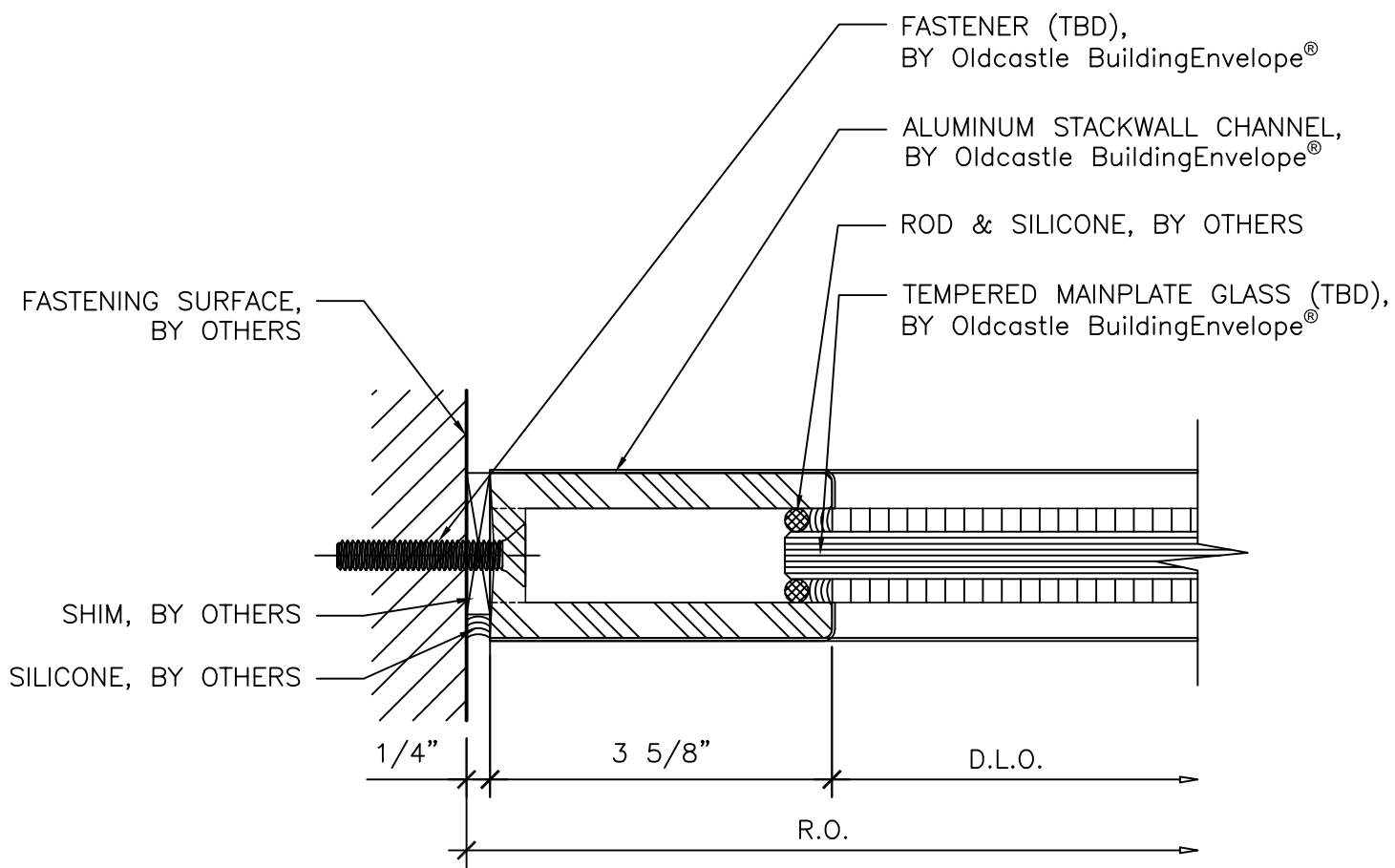


Oldcastle BuildingEnvelope®

291 M Street • Perrysburg, OH 43551 • USA
 (419) 666-2000 • obe.com

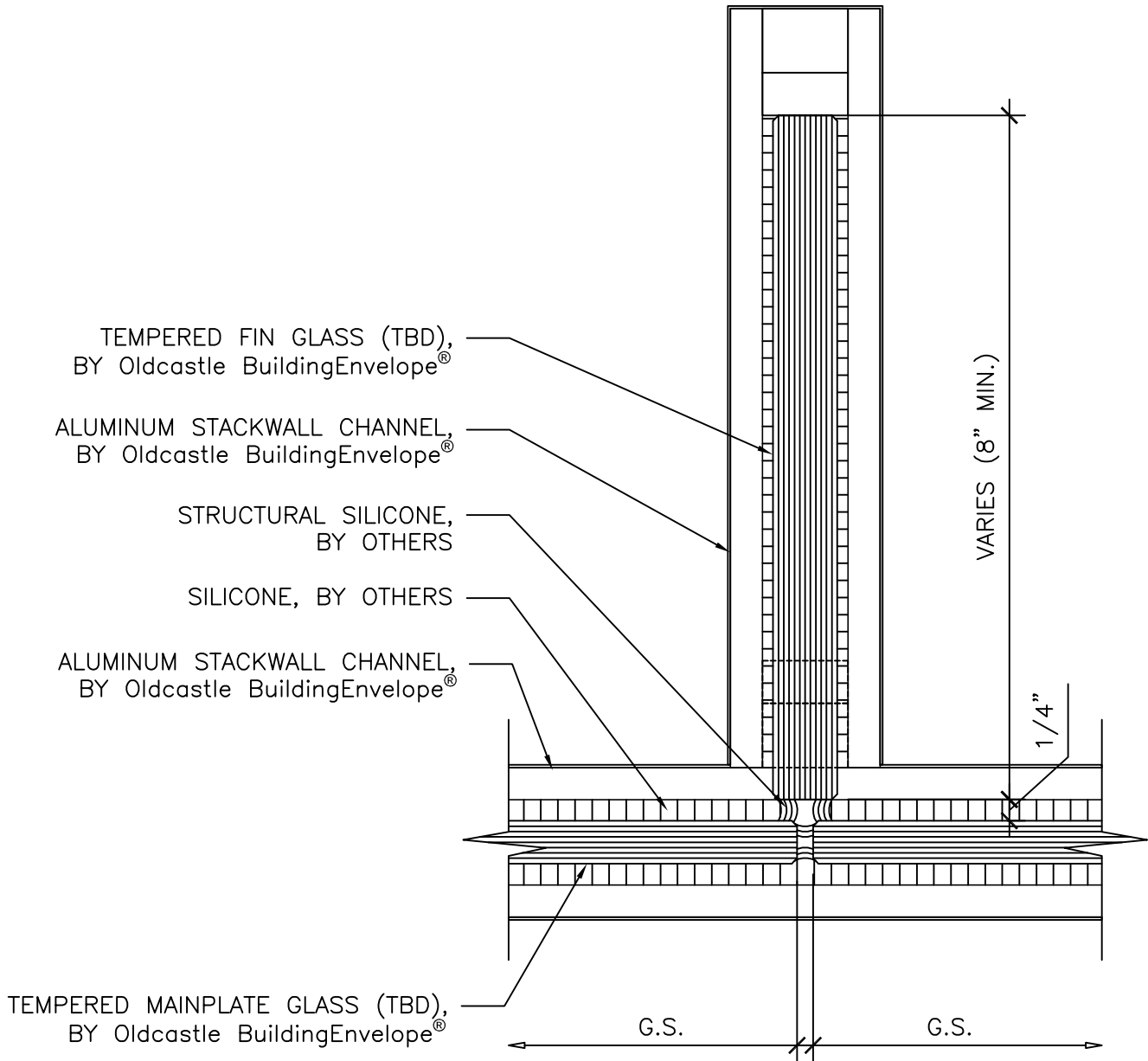
**FINWALL® - MONOLITHIC GLASS
 MAINPLATE SILL**

4



R.O. ROUGH OPENING
 D.L.O. DAY LIGHT OPENING
 G.S. GLASS SIZE

SCALE: 6" = 1'-0"



R.O. ROUGH OPENING
 D.L.O. DAY LIGHT OPENING
 G.S. GLASS SIZE

SCALE: 6" = 1'-0"

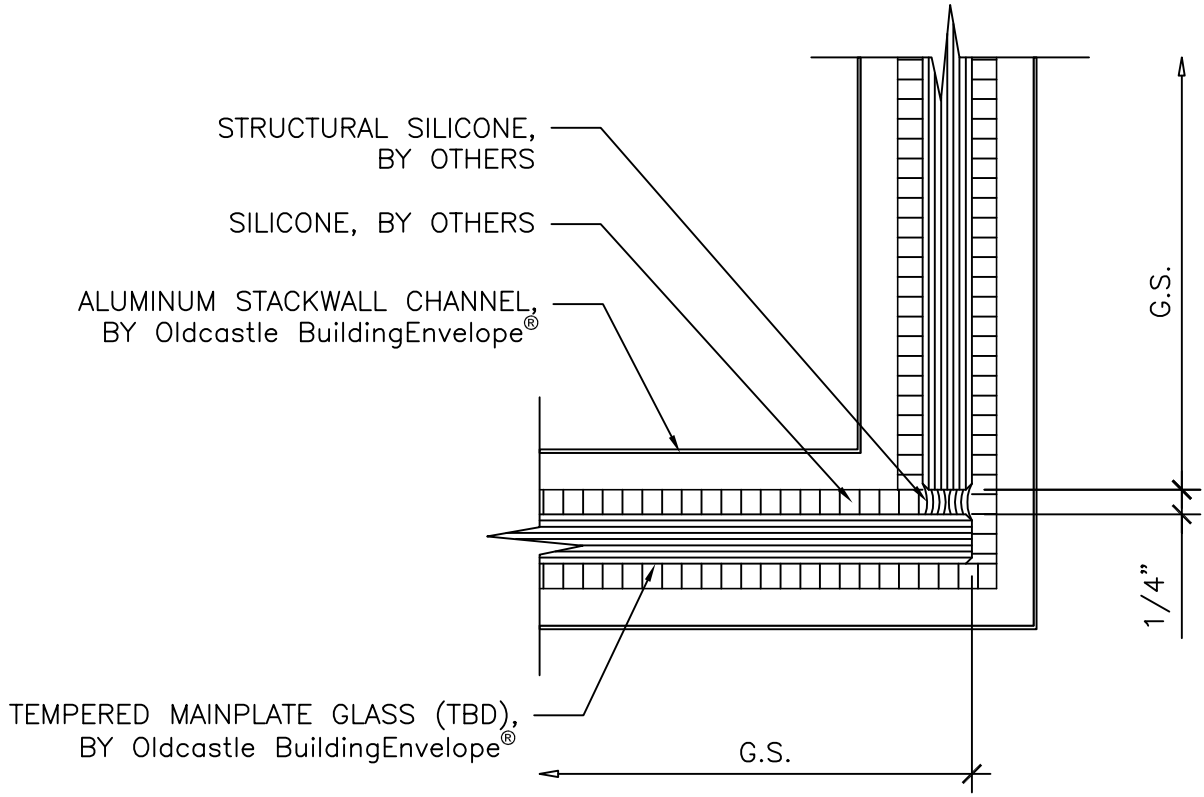


Oldcastle BuildingEnvelope®

291 M Street • Perrysburg, OH 43551 • USA
 (419) 666-2000 • obe.com

**FINWALL® - MONOLITHIC GLASS
 MAINPLATE JOINT**

6



R.O. ROUGH OPENING
 D.L.O. DAY LIGHT OPENING
 G.S. GLASS SIZE

SCALE: 6" = 1'-0"

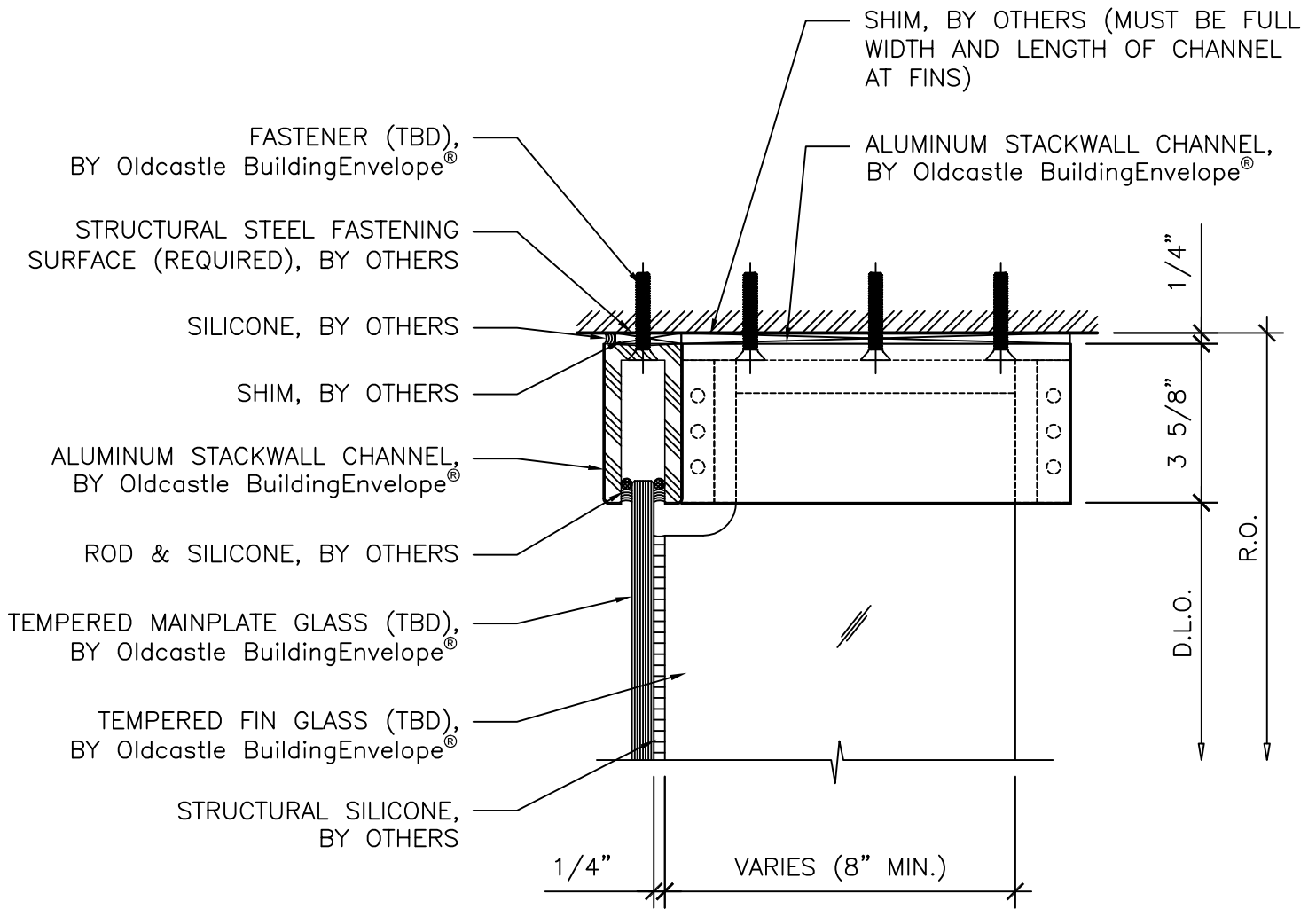


Oldcastle BuildingEnvelope®

291 M Street • Perrysburg, OH 43551 • USA
 (419) 666-2000 • obe.com

**FINWALL® - MONOLITHIC GLASS
 MAINPLATE CORNER**

7



R.O. ROUGH OPENING
D.L.O. DAY LIGHT OPENING
G.S. GLASS SIZE

SCALE: 3" = 1'-0"

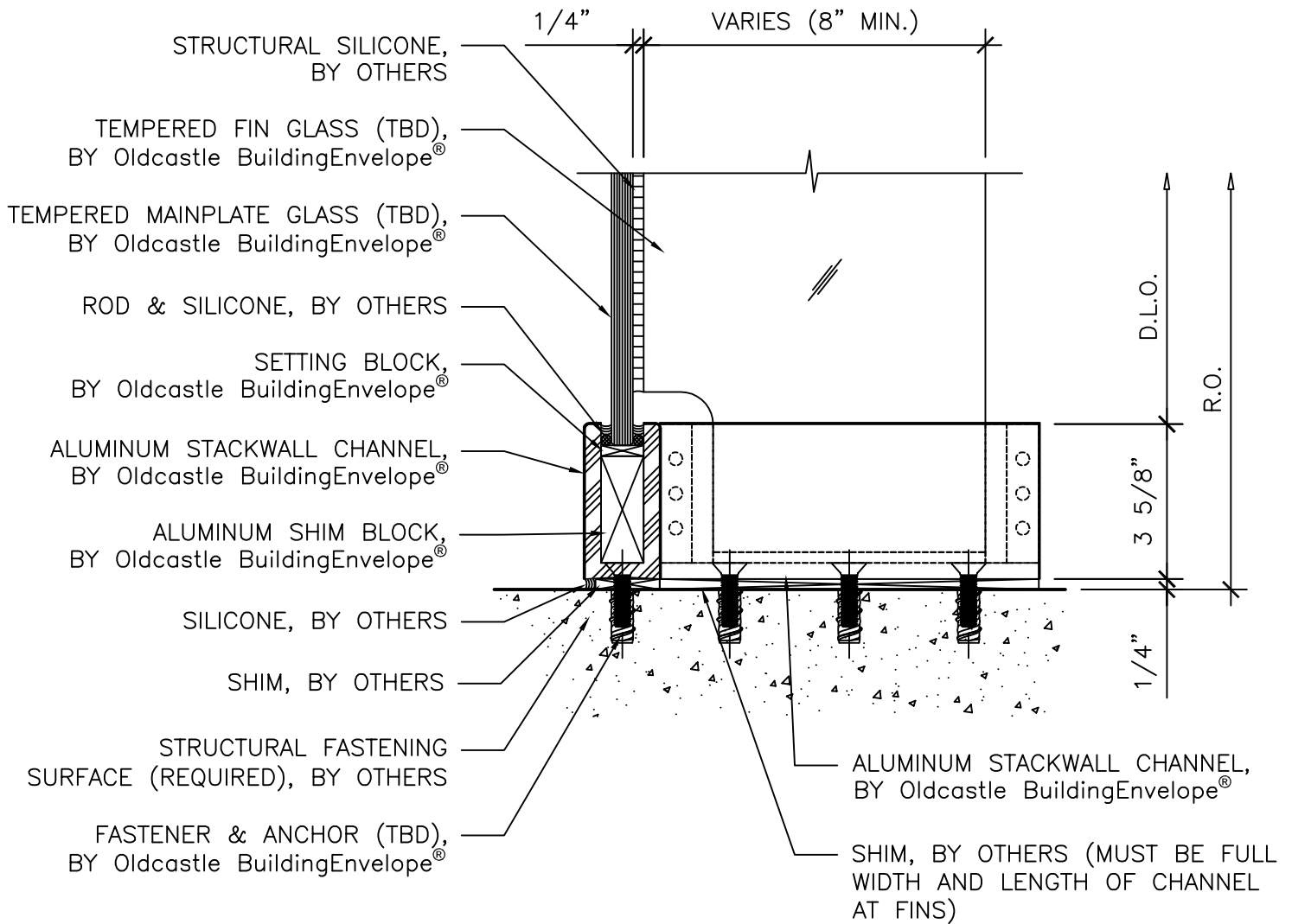


Oldcastle BuildingEnvelope®

291 M Street • Perrysburg, OH 43051 • USA
(419) 666-2000 • obe.com

**FINWALL® - MONOLITHIC GLASS
MAINPLATE AT FIN HEAD**

8



R.O. ROUGH OPENING
 D.L.O. DAY LIGHT OPENING
 G.S. GLASS SIZE

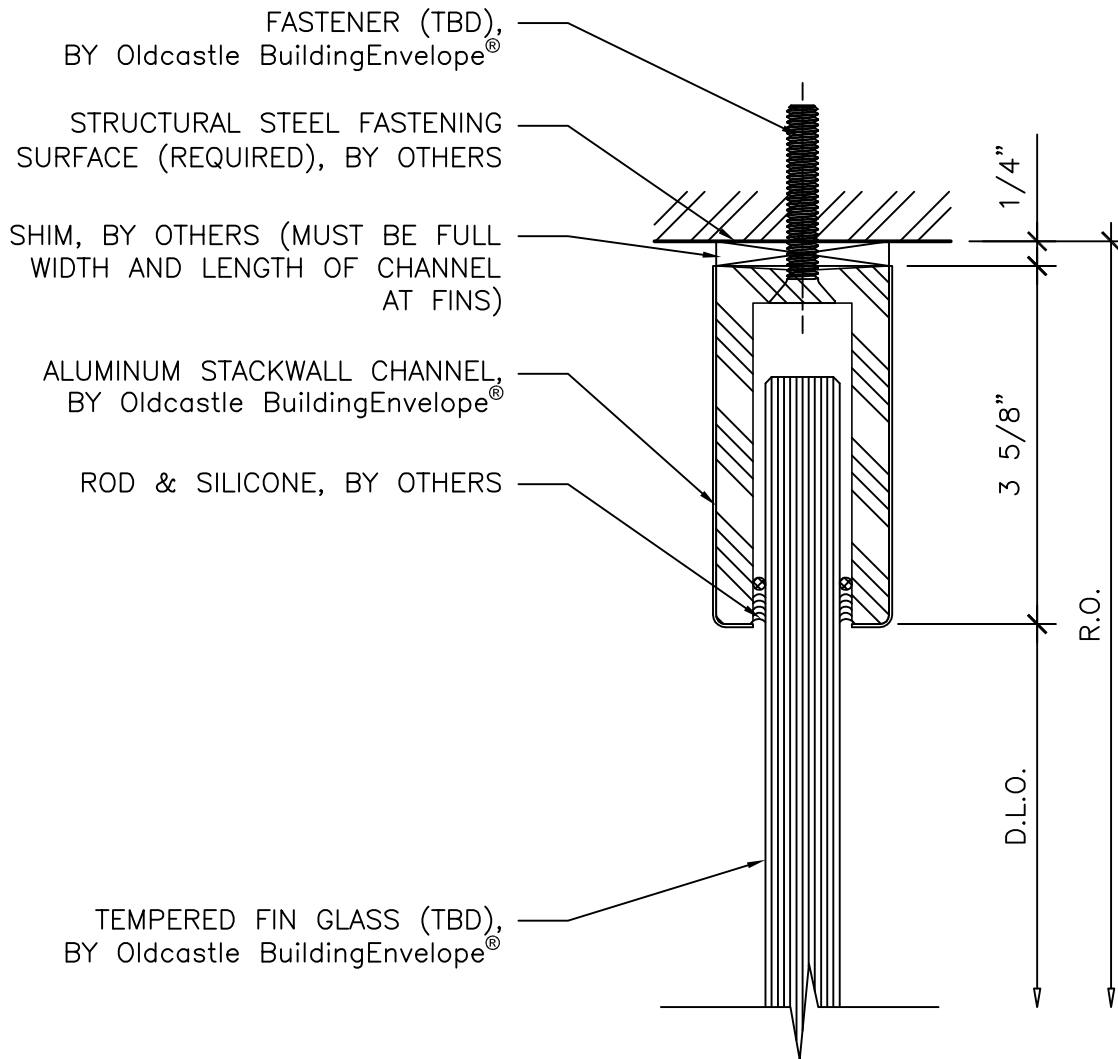
SCALE: 3" = 1'-0"



Oldcastle BuildingEnvelope®

291 M Street • Perrysburg, OH 43551 • USA
 (419) 666-2000 • obe.com

FINWALL® - MONOLITHIC GLASS
 MAINPLATE AT FIN SILL



R.O. ROUGH OPENING
D.L.O. DAY LIGHT OPENING
G.S. GLASS SIZE

SCALE: 6" = 1'-0"

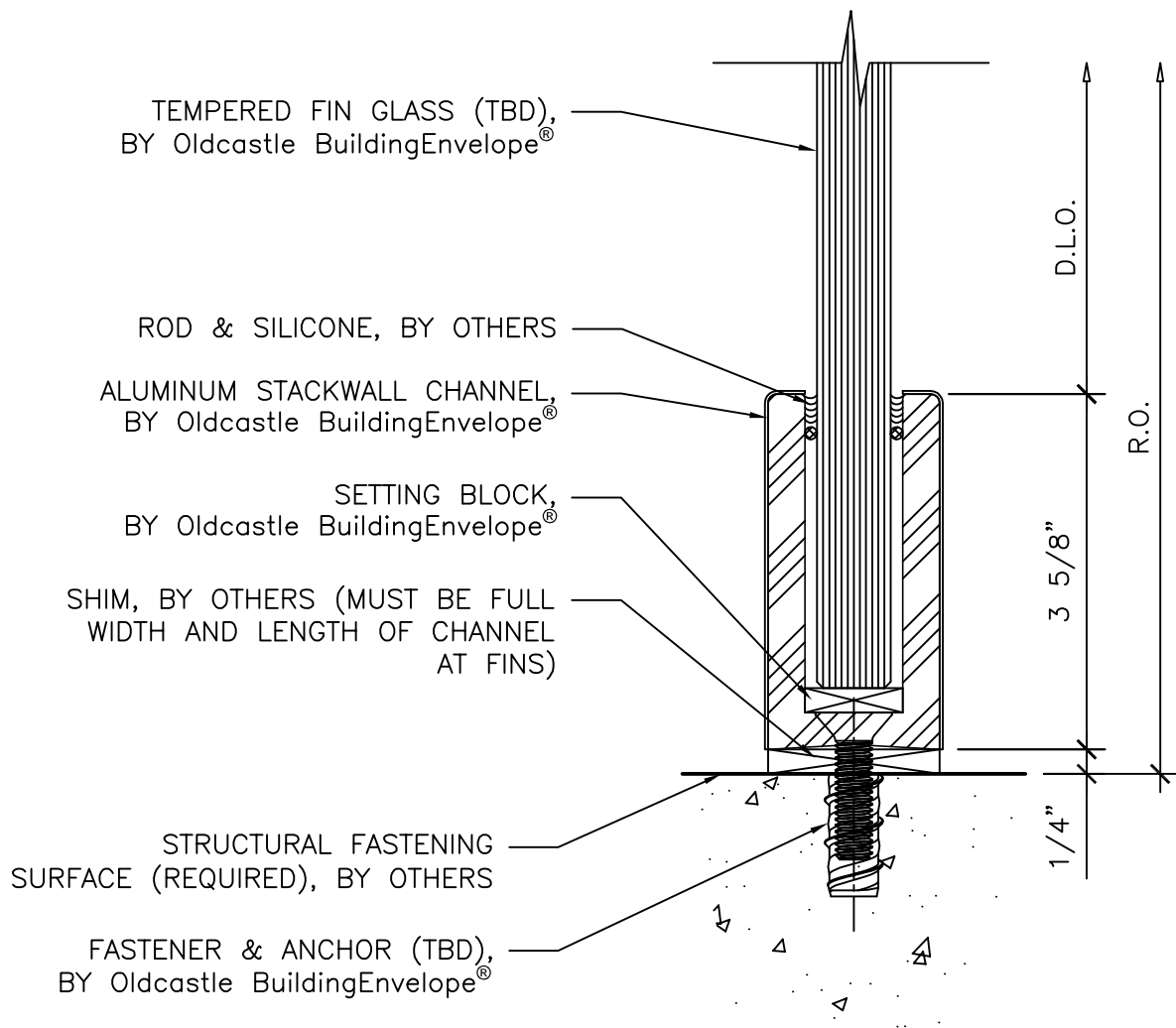


Oldcastle BuildingEnvelope®

291 M Street • Perrysburg, OH 43551 • USA
(419) 666-2000 • obe.com

**FINWALL® - MONOLITHIC GLASS
FIN HEAD**

10



R.O. ROUGH OPENING
 D.L.O. DAY LIGHT OPENING
 G.S. GLASS SIZE

SCALE: 6" = 1'-0"