

# Oldcastle BuildingEnvelope®

1-866-Oldcastle (653-2278) - [www.obe.com](http://www.obe.com)

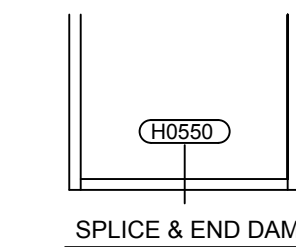
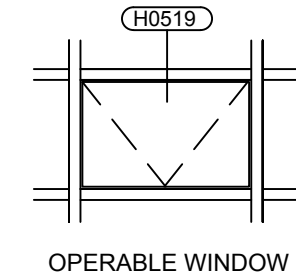
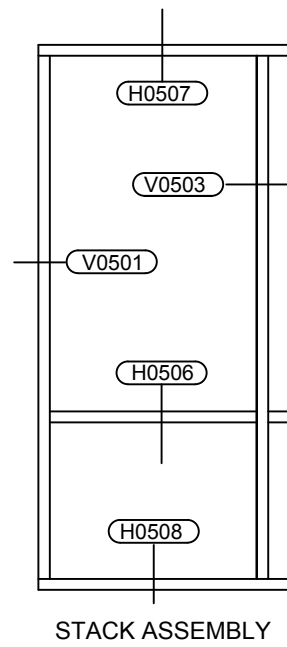
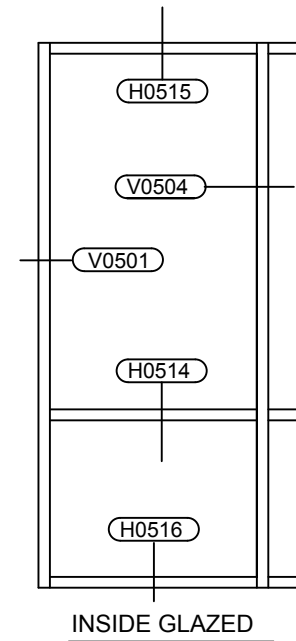
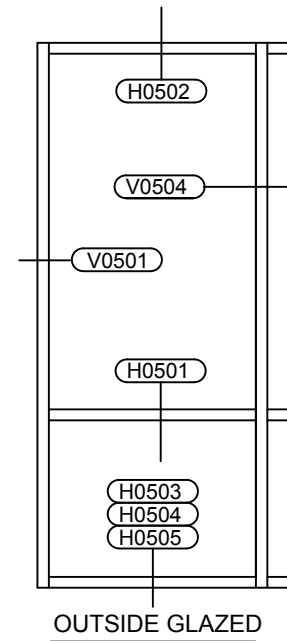
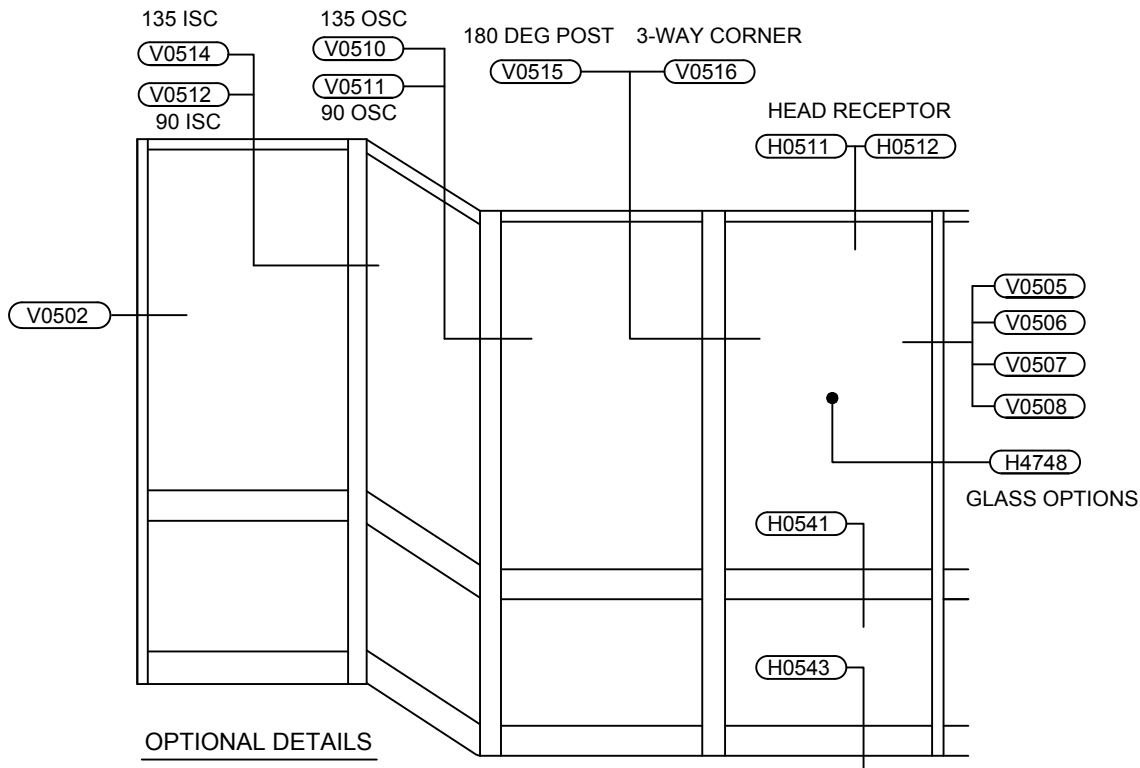
## FG-2000 STOREFRONT 1-3/4" x 4-1/2" / 1/4" GLAZING

### Elev-FG2000-CenterSet

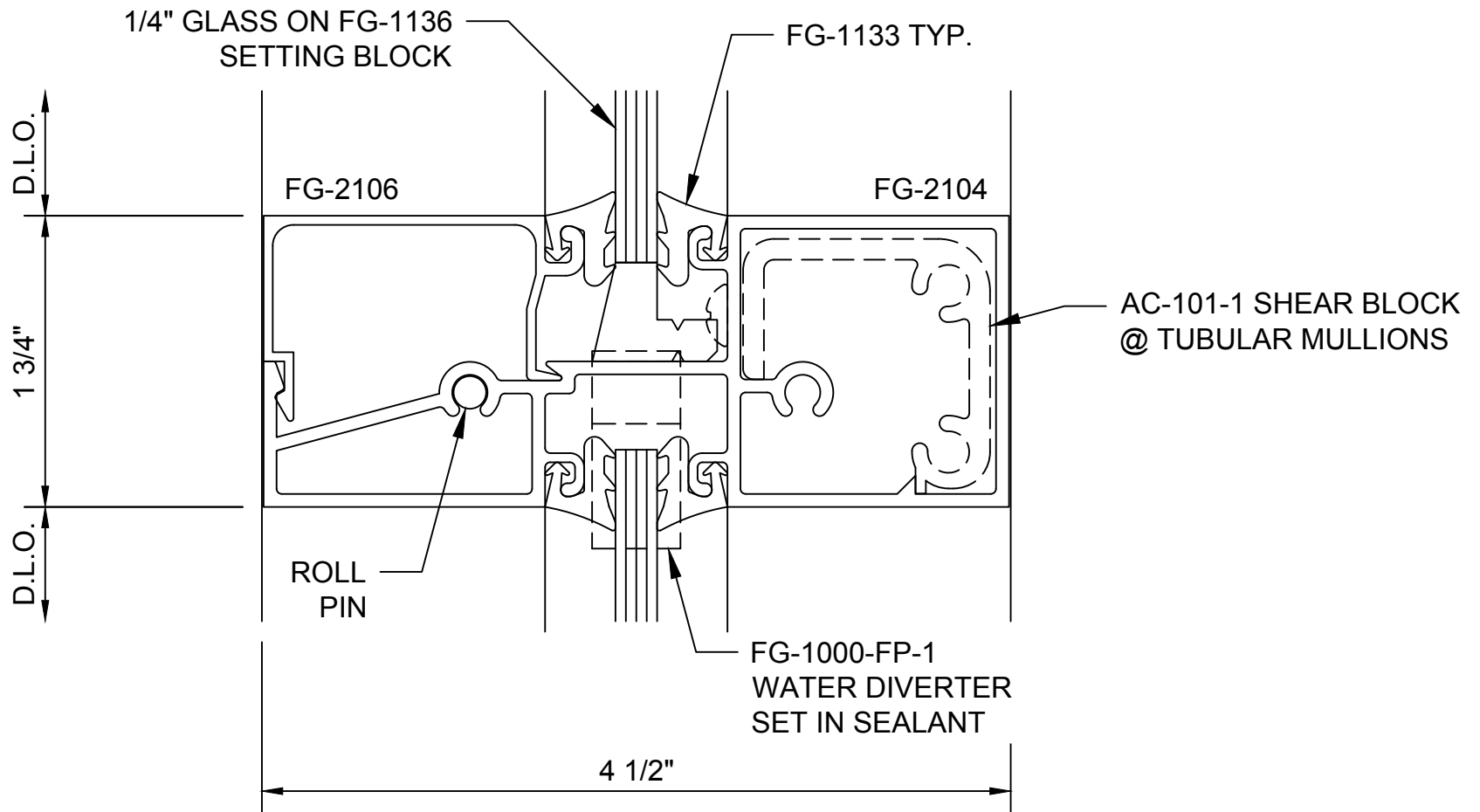
H0501-Horiz-OutGlz  
H0502-Head-OutGlz  
H0503-Sill-OutGlz-10psf  
H0504-Sill-OutGlz  
H0505-Sill-OutGlz-Option  
H0506-Stacked-Horiz-OutGlz  
H0507-Stacked-Head-OutGlz  
H0508-Stacked-Sill-OutGlz  
H0511-Head-w-1pc-Receptor  
H0512-Head-w-2pc-Receptor  
H0514-Horiz-InsideGlz  
H0515-Head-InsideGlz  
H0516-Sill-InsideGlz  
H0519-Horiz-w-OpWin  
H0541-Horiz-Sdlt-Base  
H0543-Sill-Sdlt-Base  
H0550-SubSill-Splice-EndDam  
H4748-Glass-Options

V0501-Jamb-Typical  
V0502-Jamb-ScrSpln  
V0503-Vertical-Stacked  
V0504-Vertical-Typical  
V0505-Vertical-Heavy  
V0506-Vertical-ScrSpln  
V0507-Expansion-Vertical  
V0508-Adjustable-Vertical  
V0510-135-Outside-Corner  
V0511-90-Outside-Corner  
V0512-90-Inside-Corner  
V0514-135-Inside-Corner  
V0515-180-Post  
V0516-3-Way-Corner

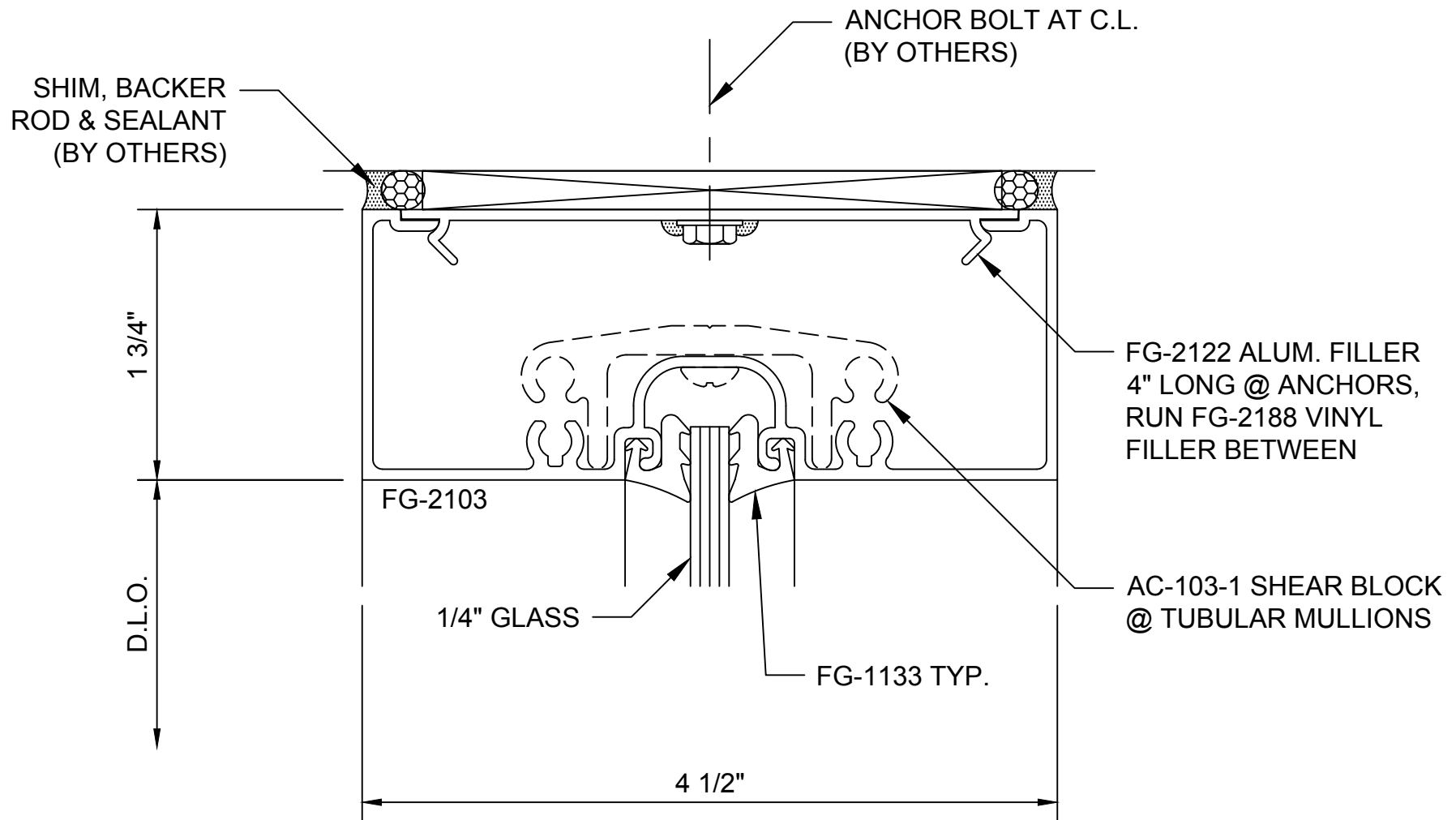
## Table of Contents



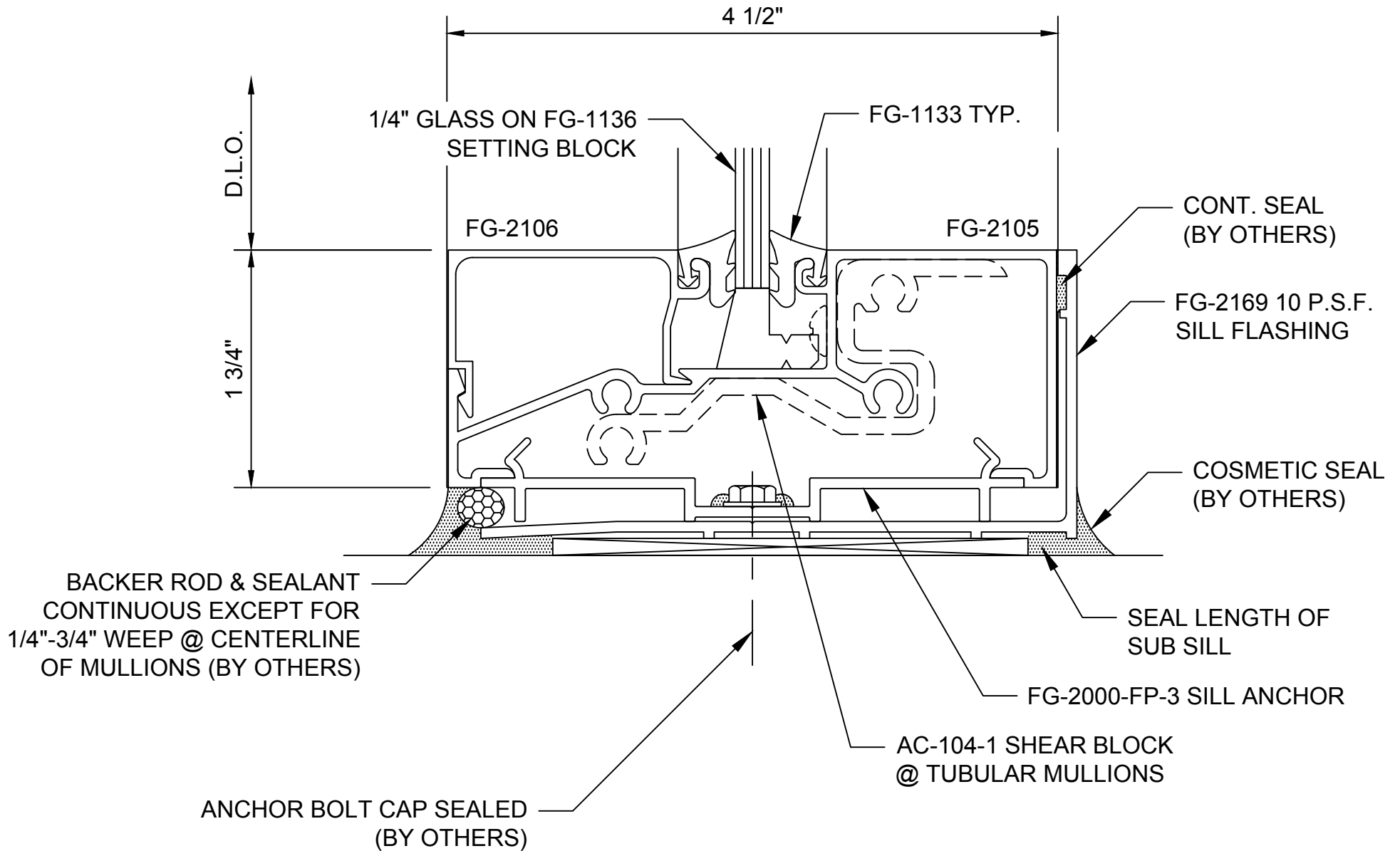
## FG-2000 Storefront 1-3/4" x 4-1/2" Flush Glaze - Elevation



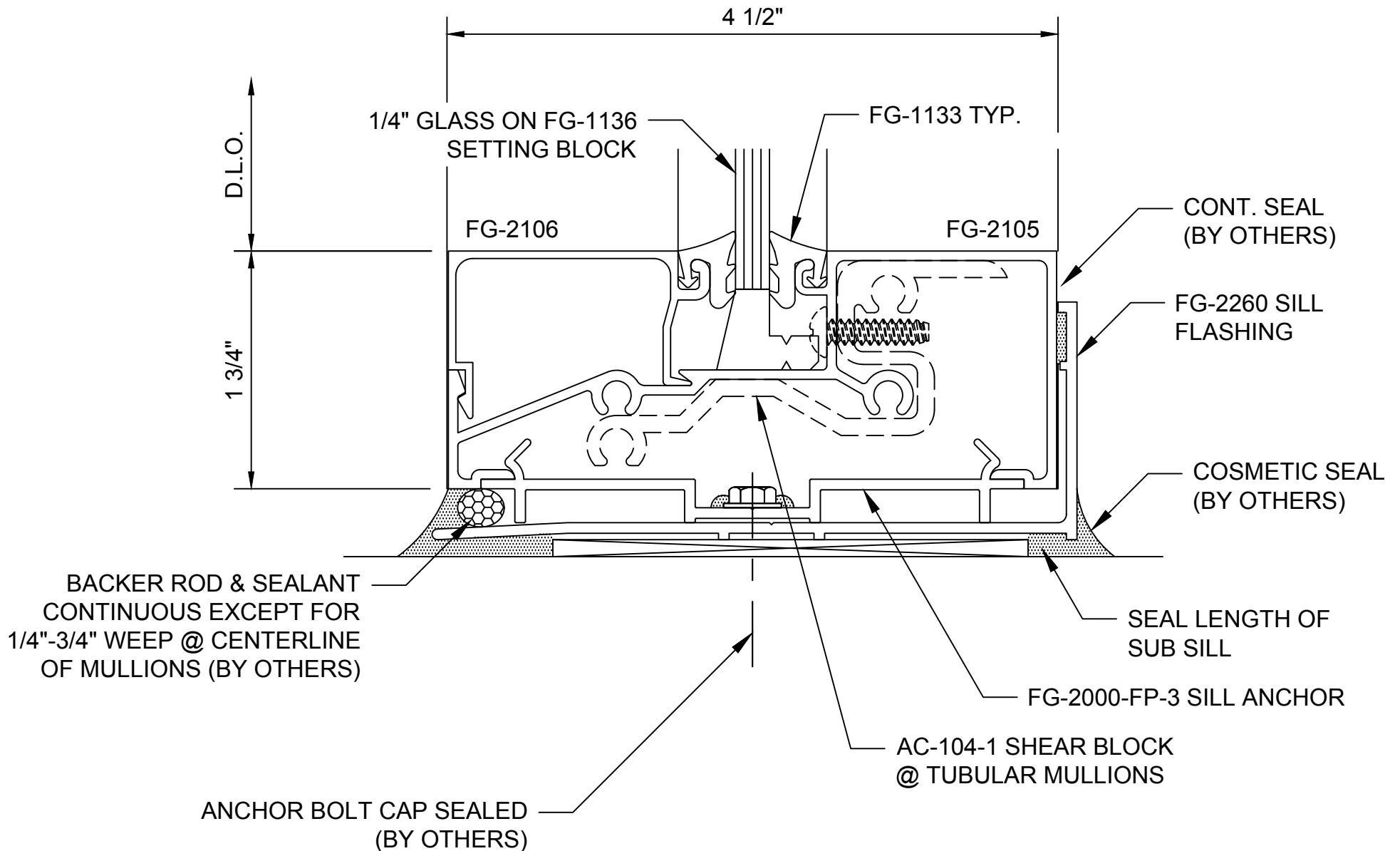
**FG-2000 - Storefront**  
**Intermediate Horizontal - H0501**



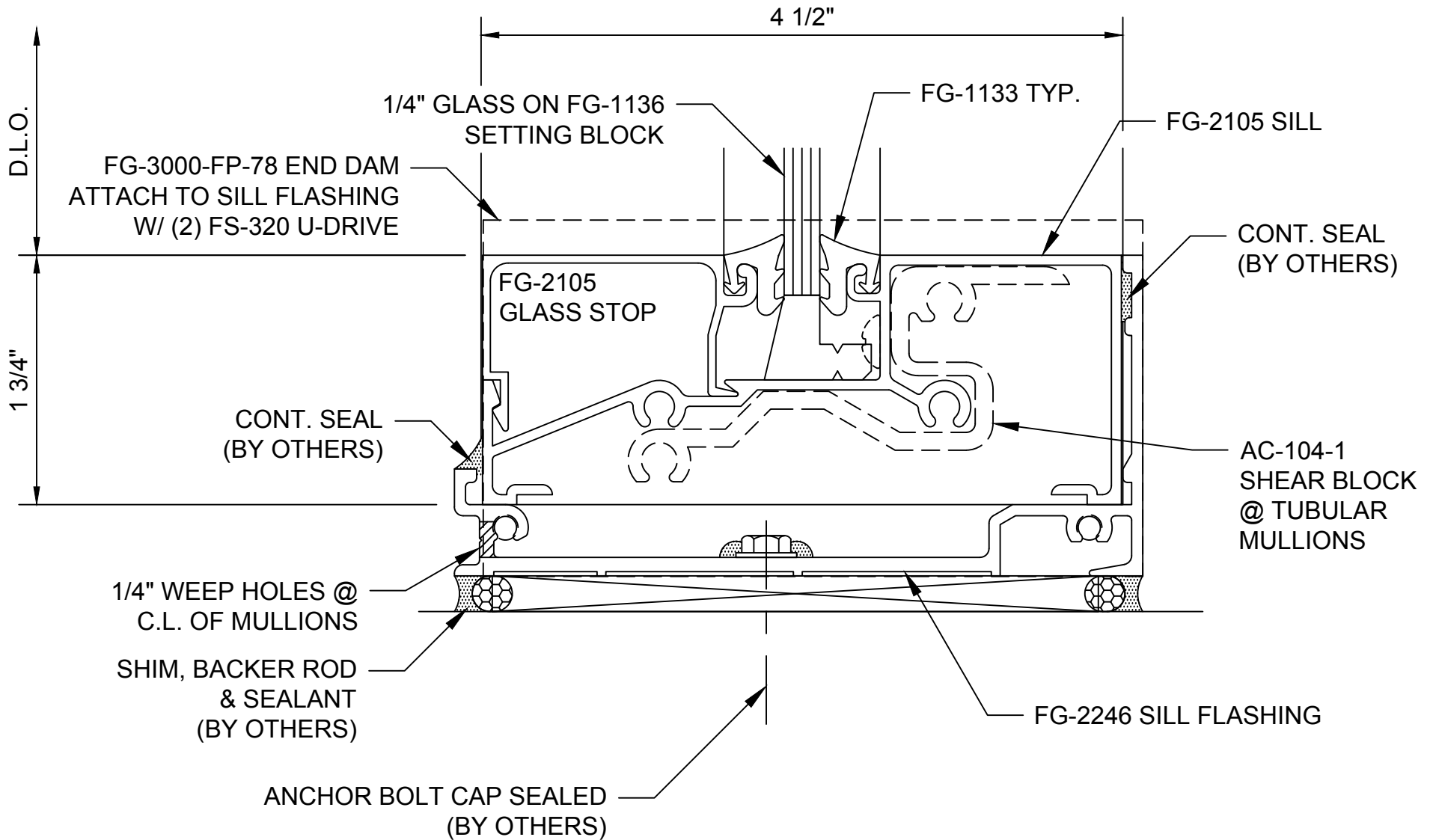
**FG-2000 - Storefront  
Head Horizontal - H0502**



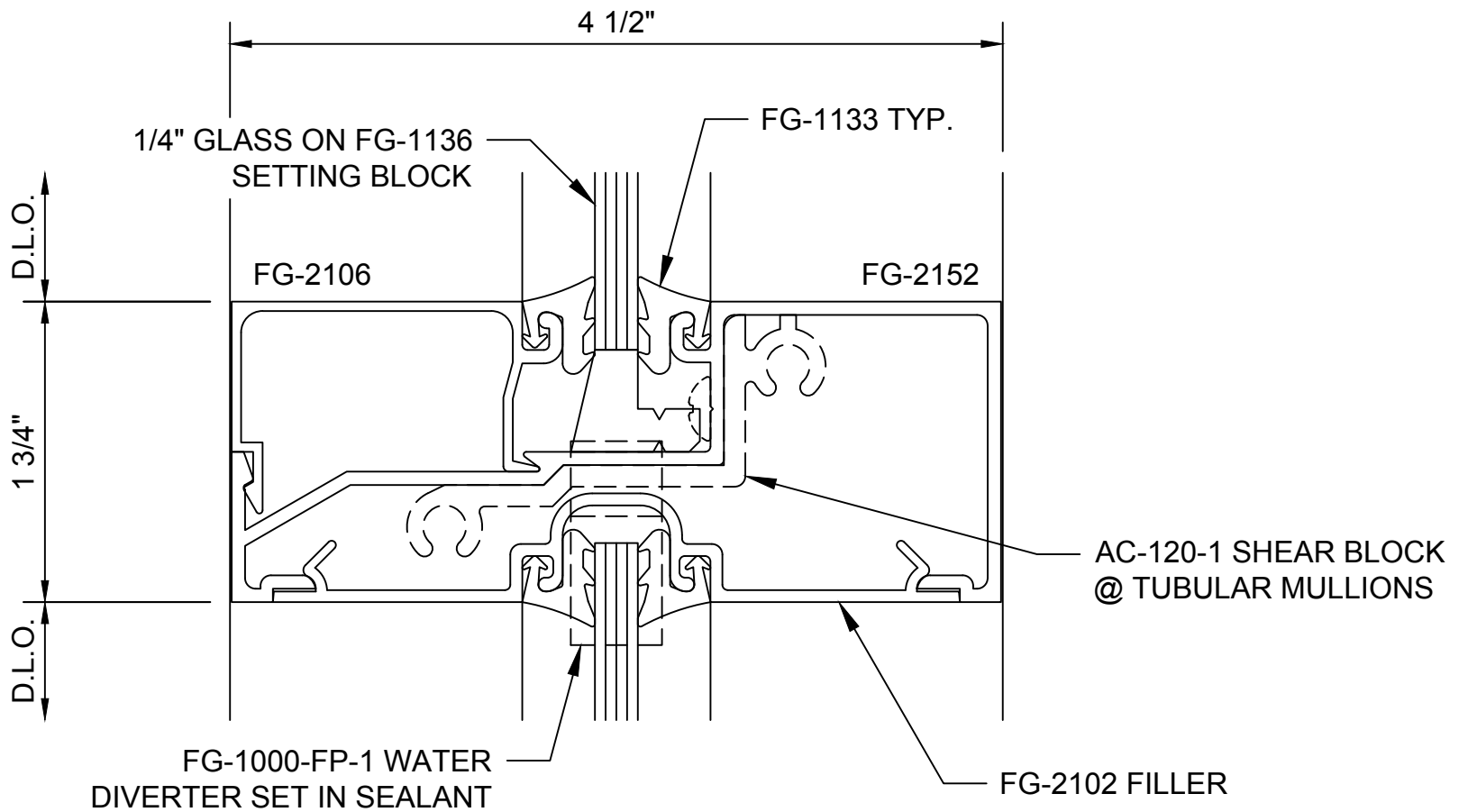
**FG-2000 - Storefront  
Sill Horizontal - H0503**



**FG-2000 - Storefront  
Sill Horizontal - H0504**

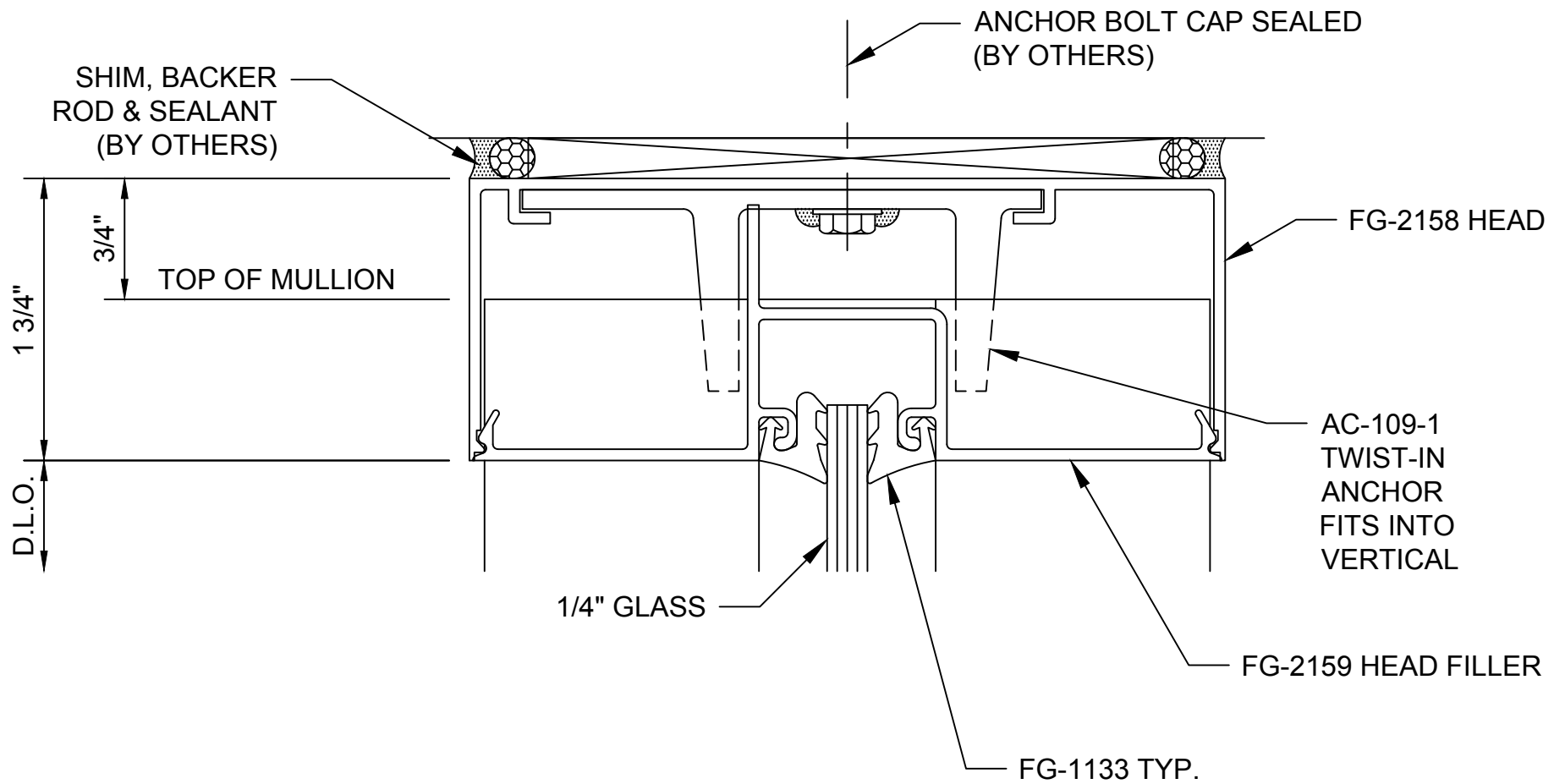


**FG-2000 - Storefront**  
**Sill Horizontal - H0505**

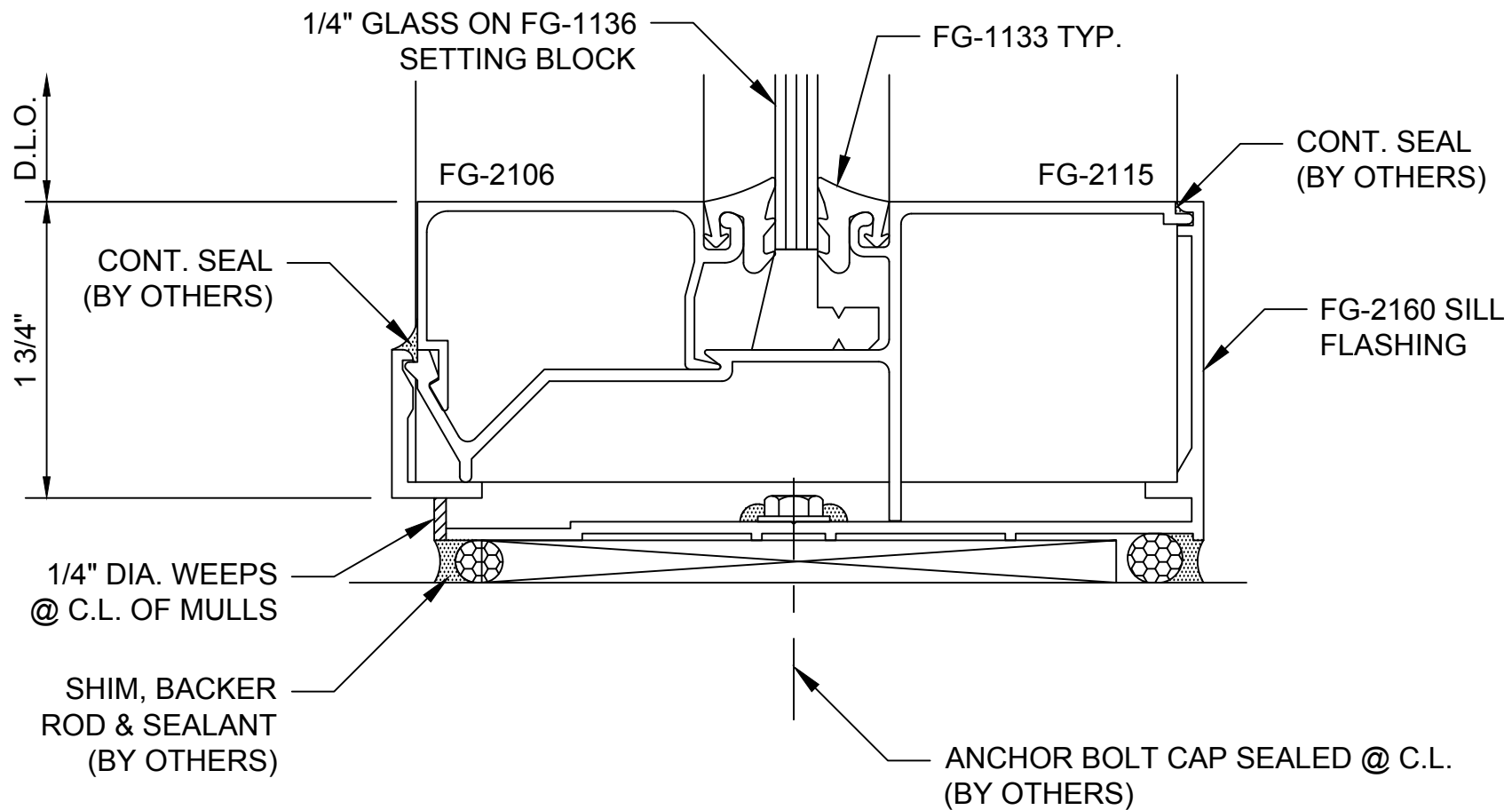


**FG-2000 - Storefront**  
**Intermediate Horizontal - H0506**

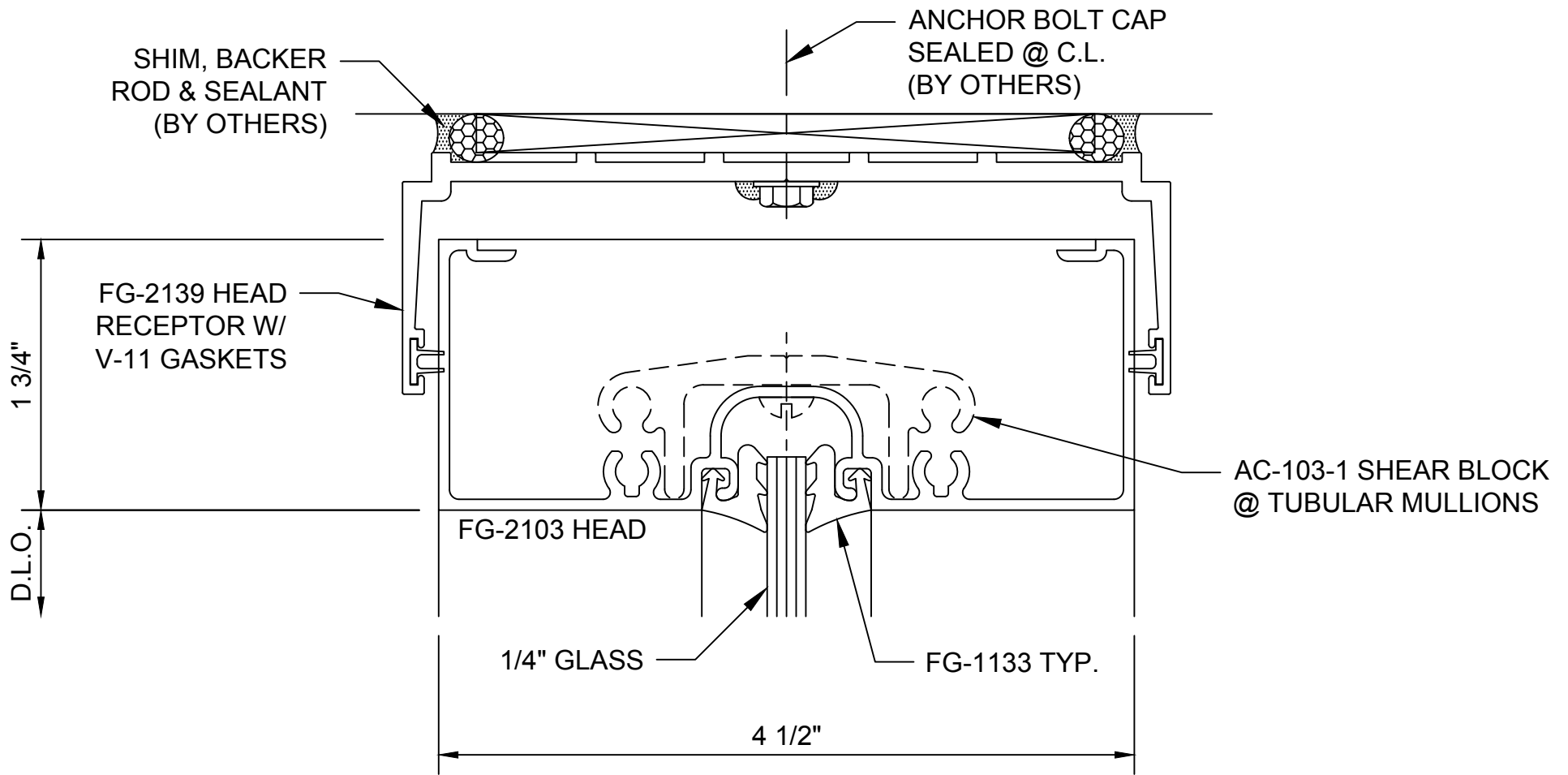




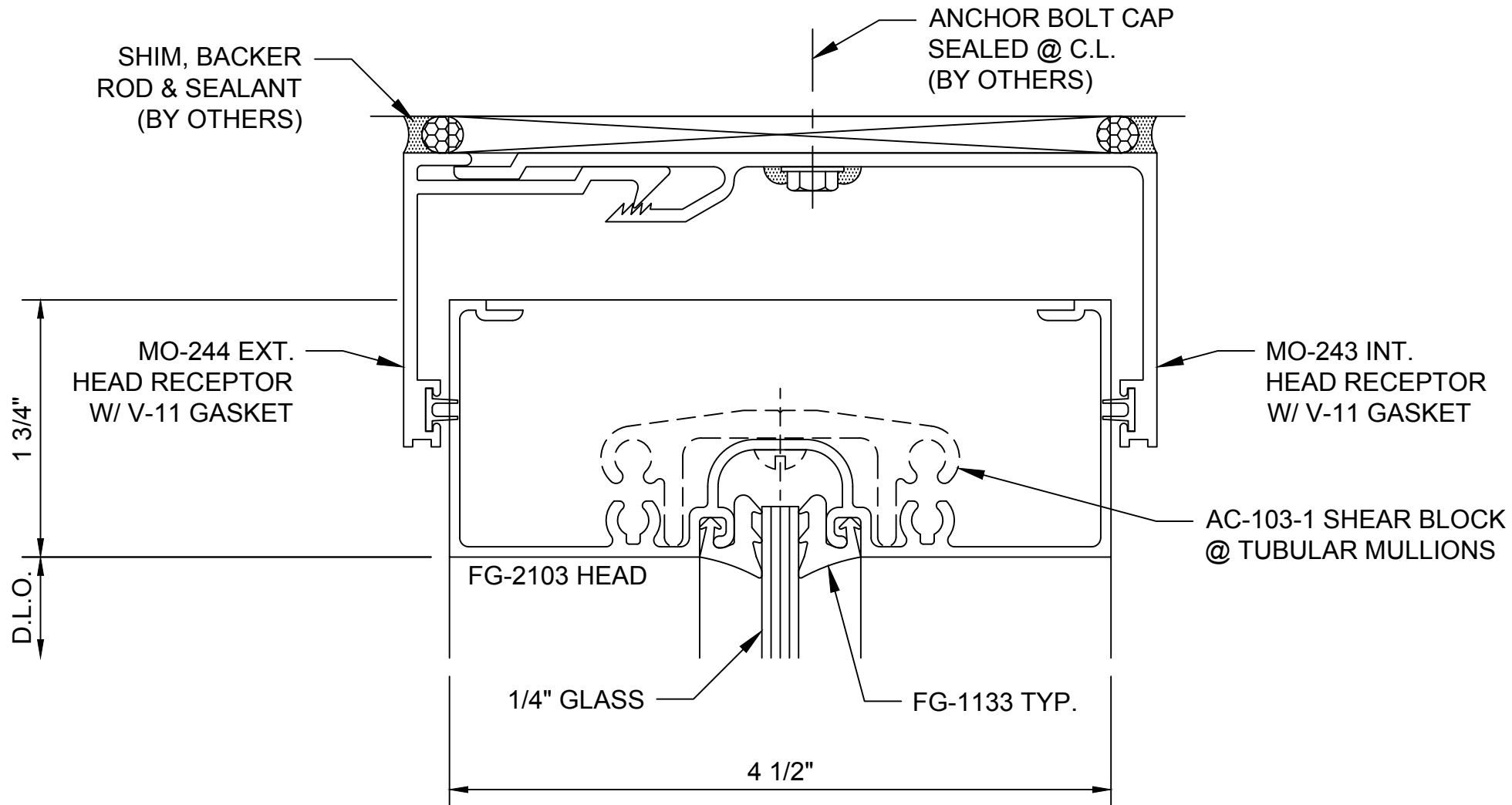
**FG-2000 - Storefront  
Head Horizontal - H0507**



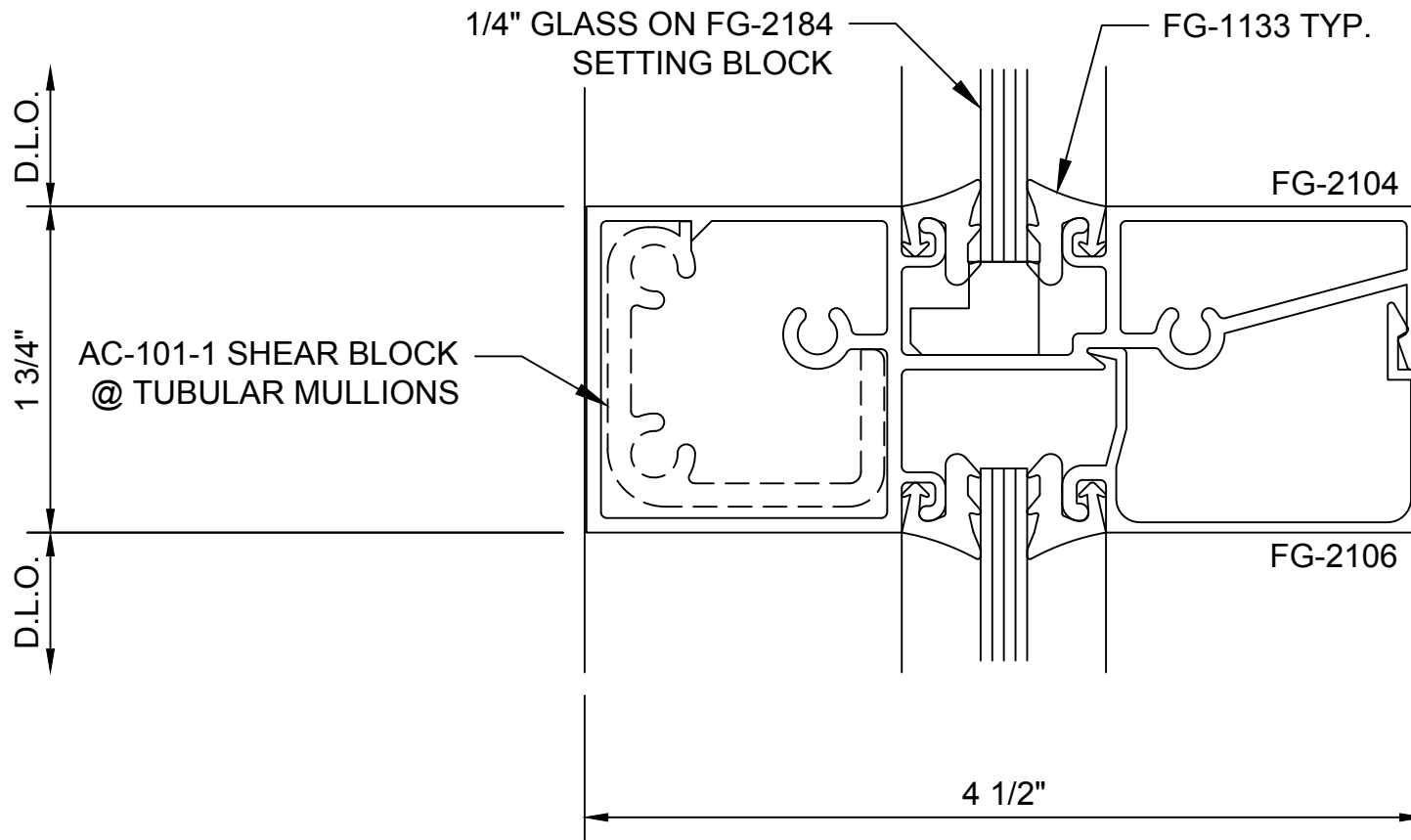
**FG-2000 - Storefront**  
**Sill Horizontal - H0508**



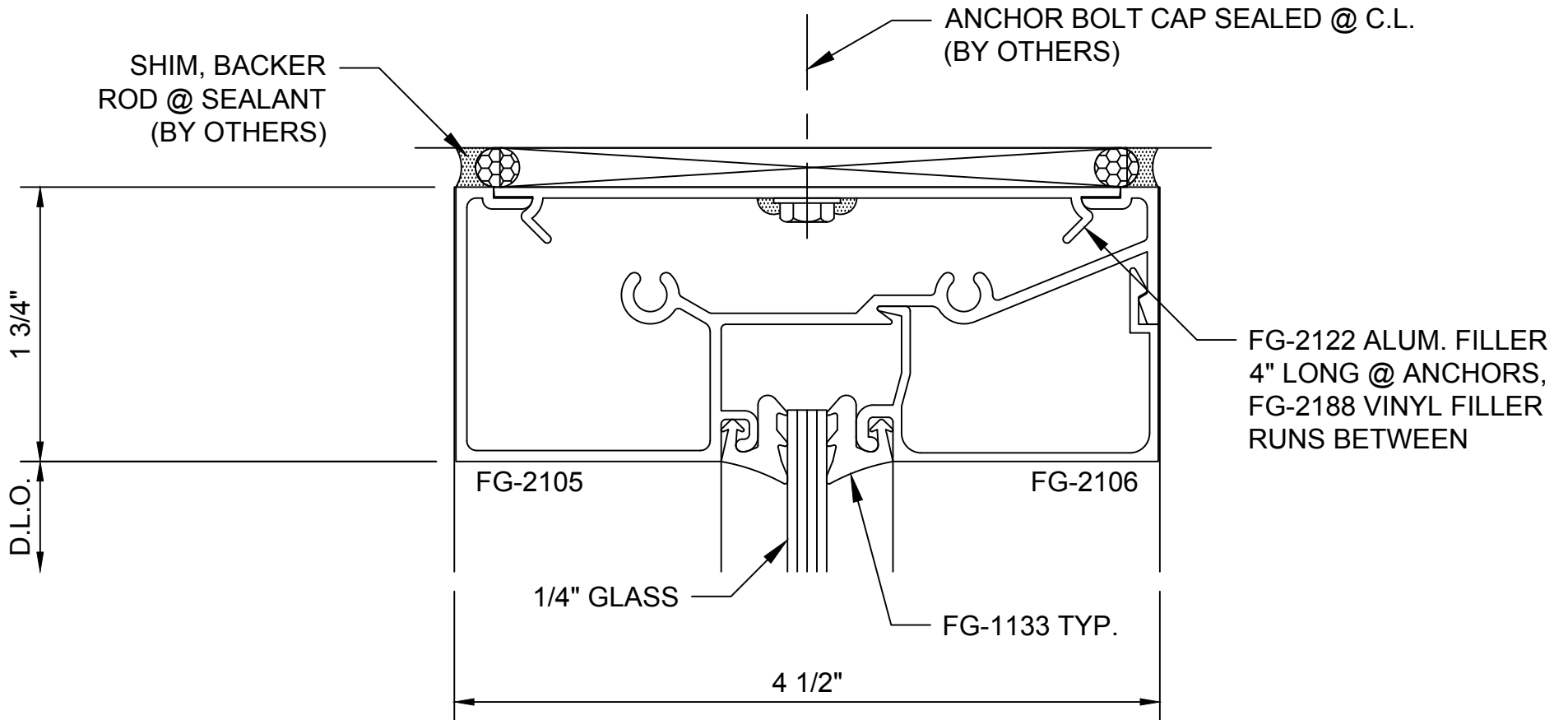
**FG-2000 - Storefront  
Head Horizontal - H0511**



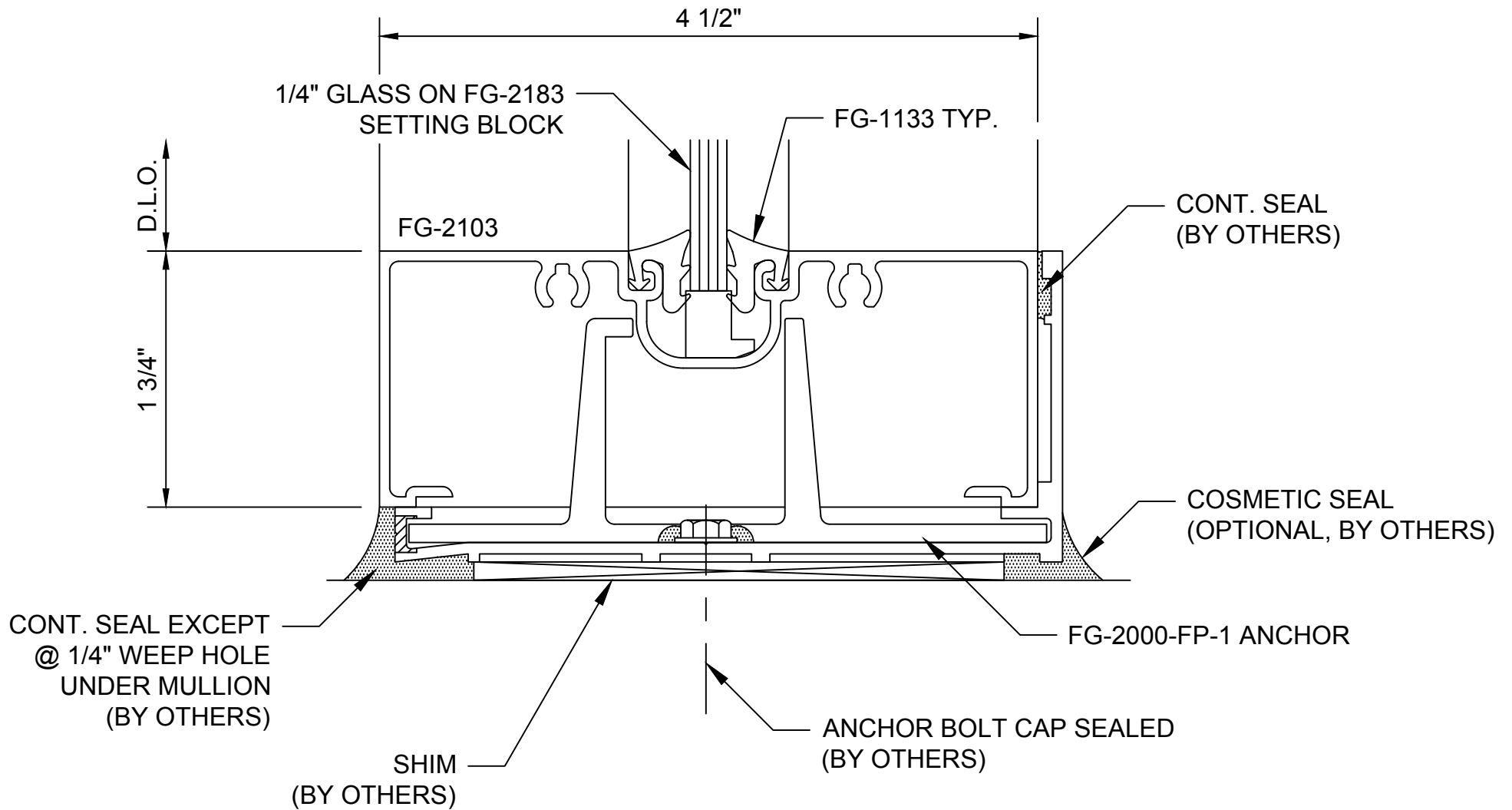
**FG-2000 - Storefront  
Head Horizontal - H0512**



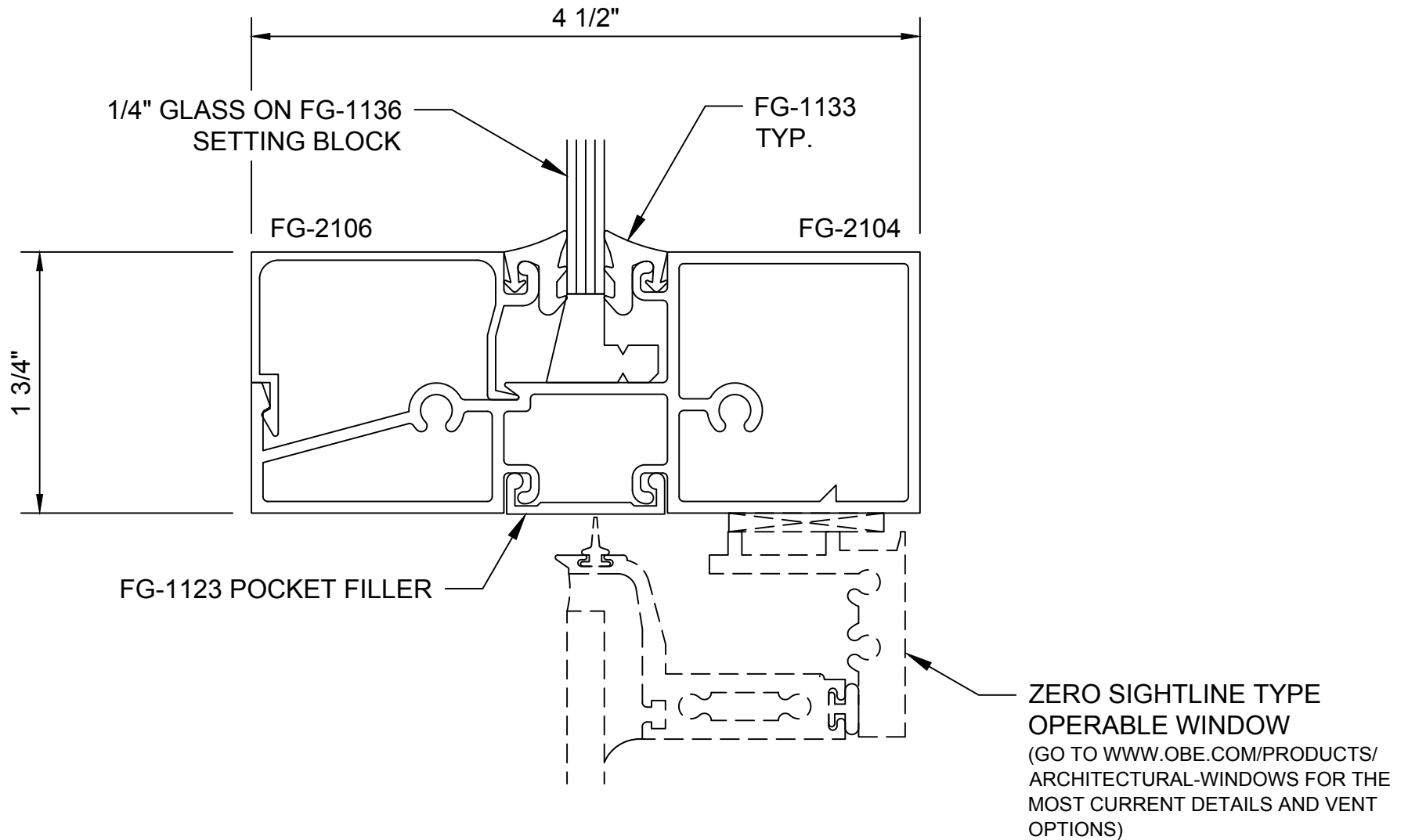
**FG-2000 - Storefront**  
**Intermediate Horizontal - H0514**



**FG-2000 - Storefront  
Head Horizontal - H0515**

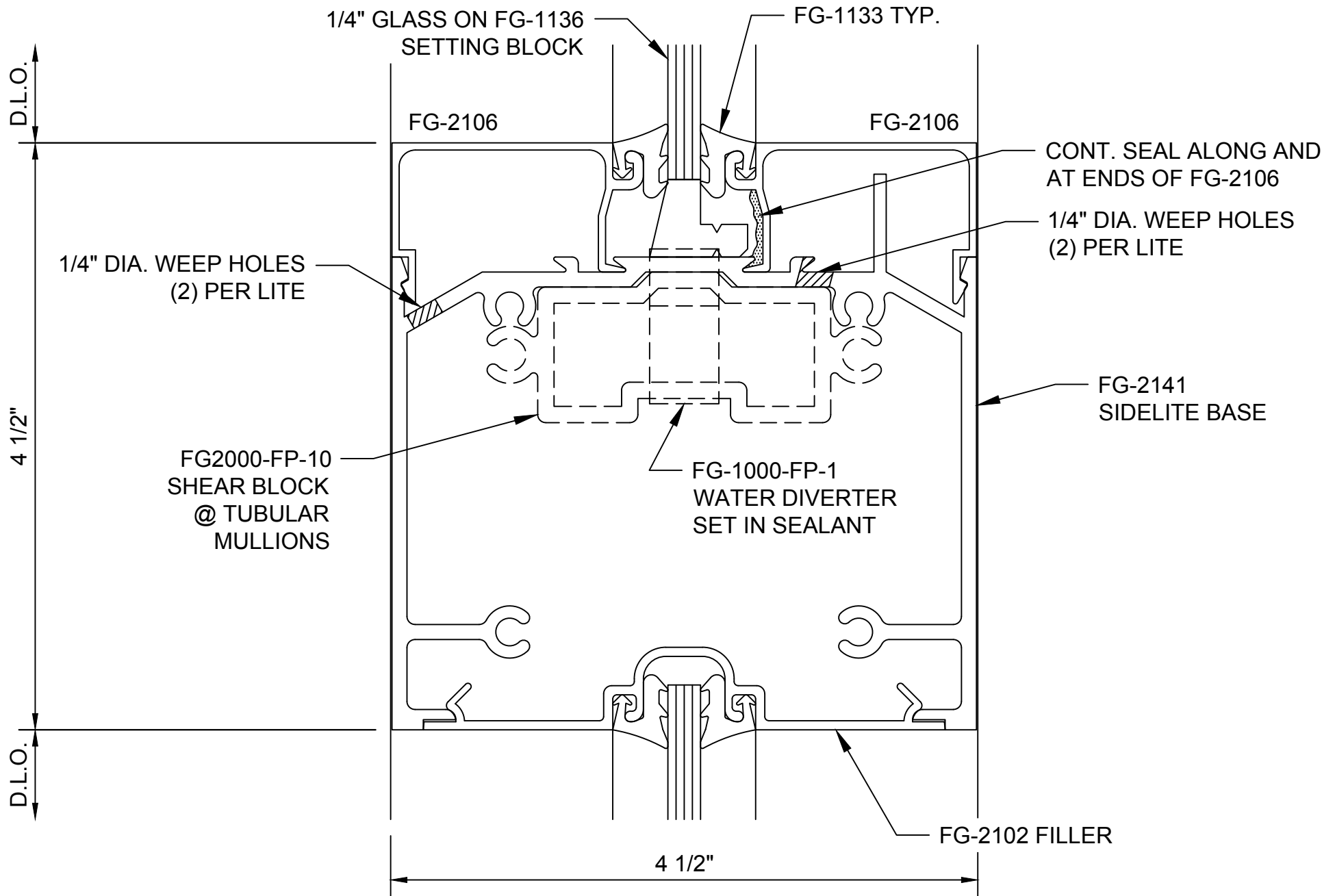


**FG-2000 - Storefront  
Sill Horizontal - H0516**

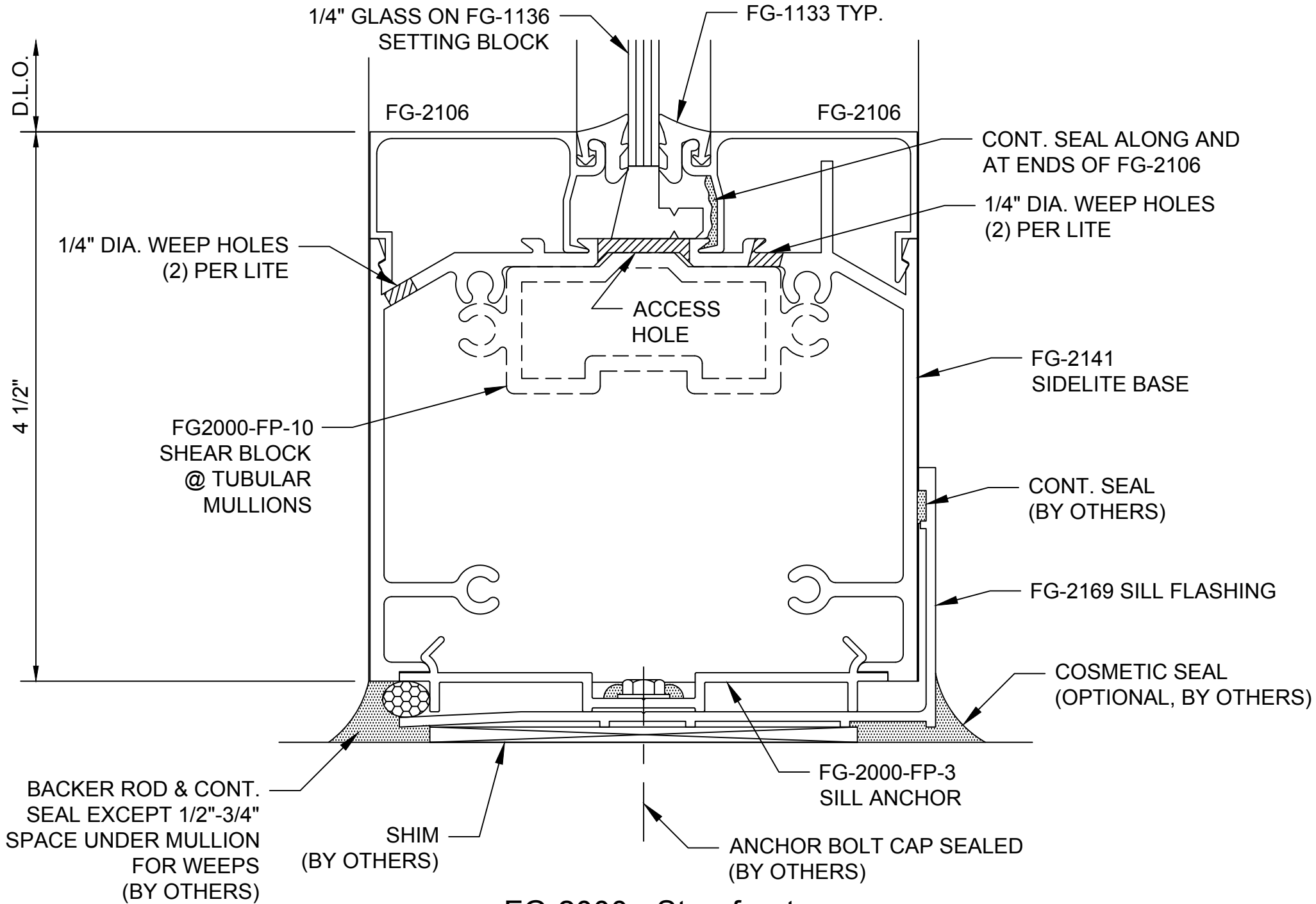


**FG-2000 - Storefront**  
**Horizontal at Operable Window - H0519**



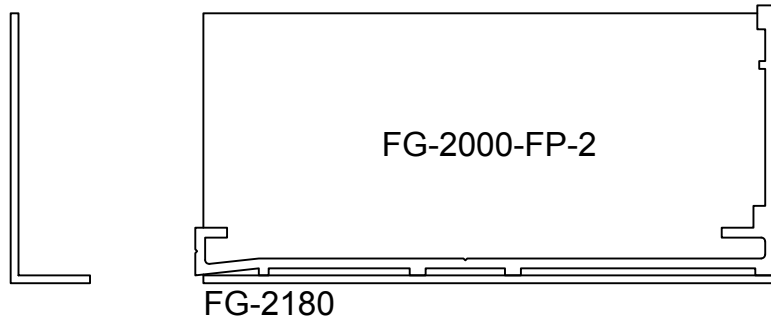


**FG-2000 - Storefront  
Sidelite Base Horizontal - H0541**

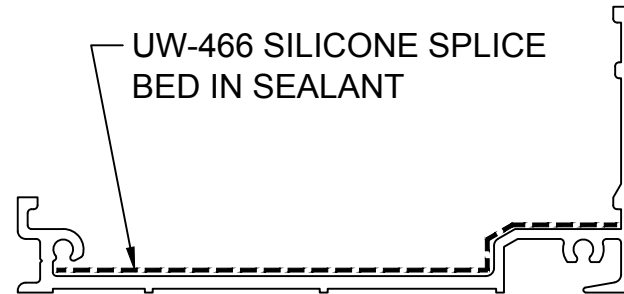
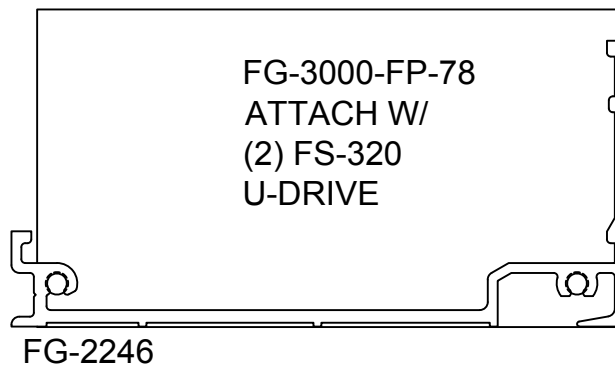
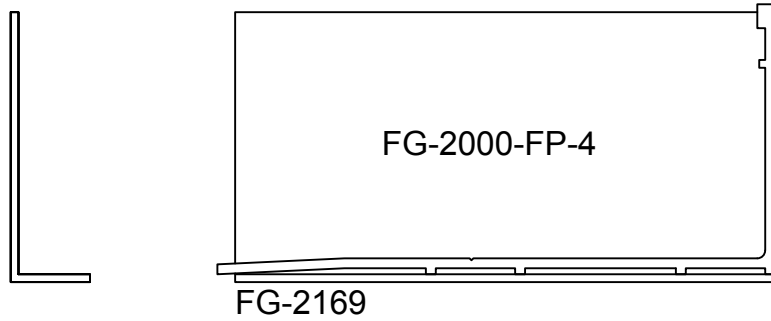
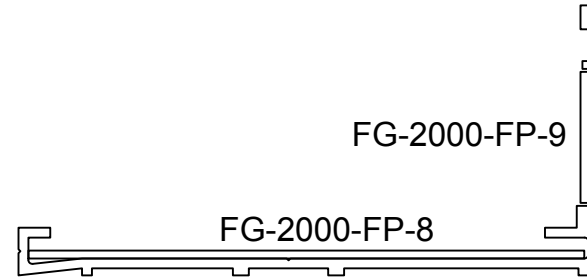


**FG-2000 - Storefront  
Sidelite Base Sill - H0543**

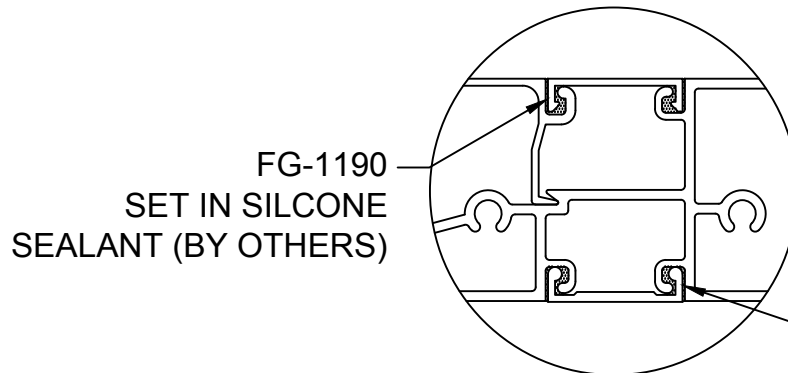
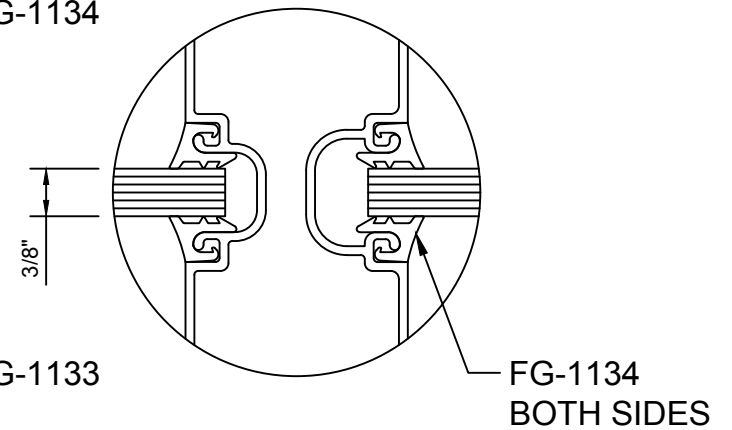
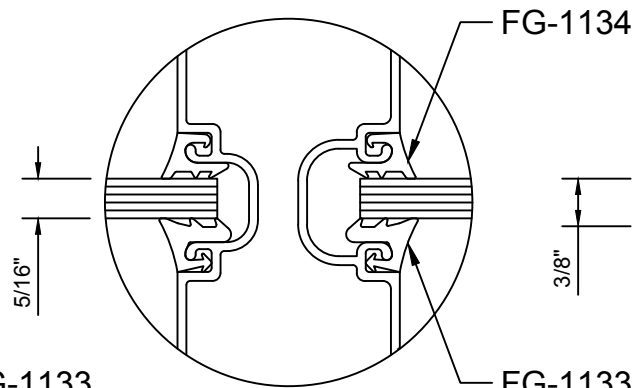
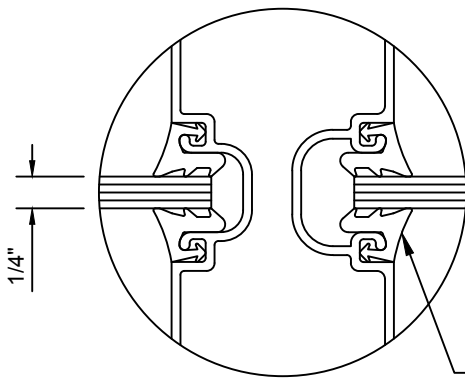
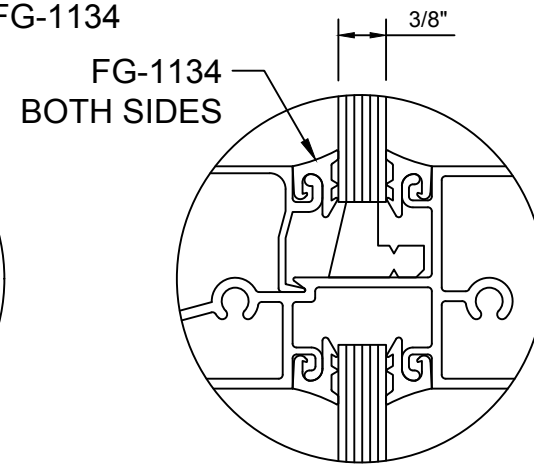
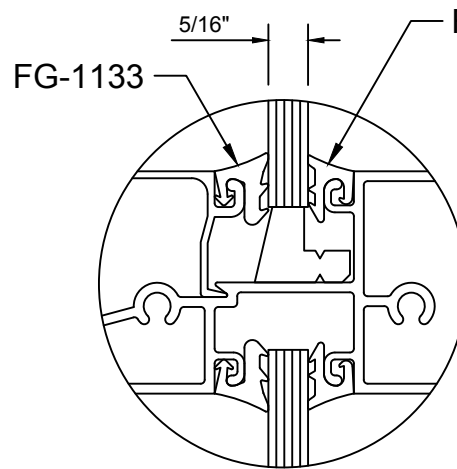
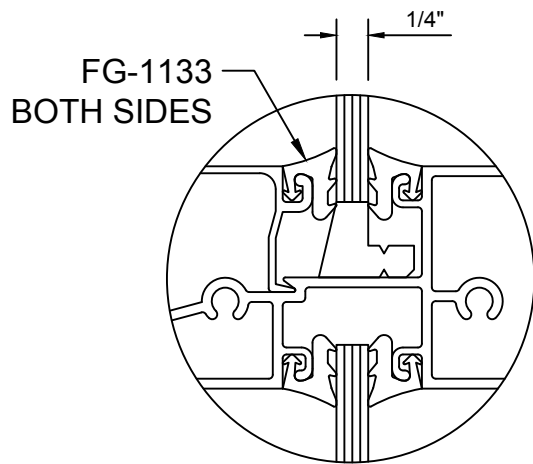
END DAM



SPLICE



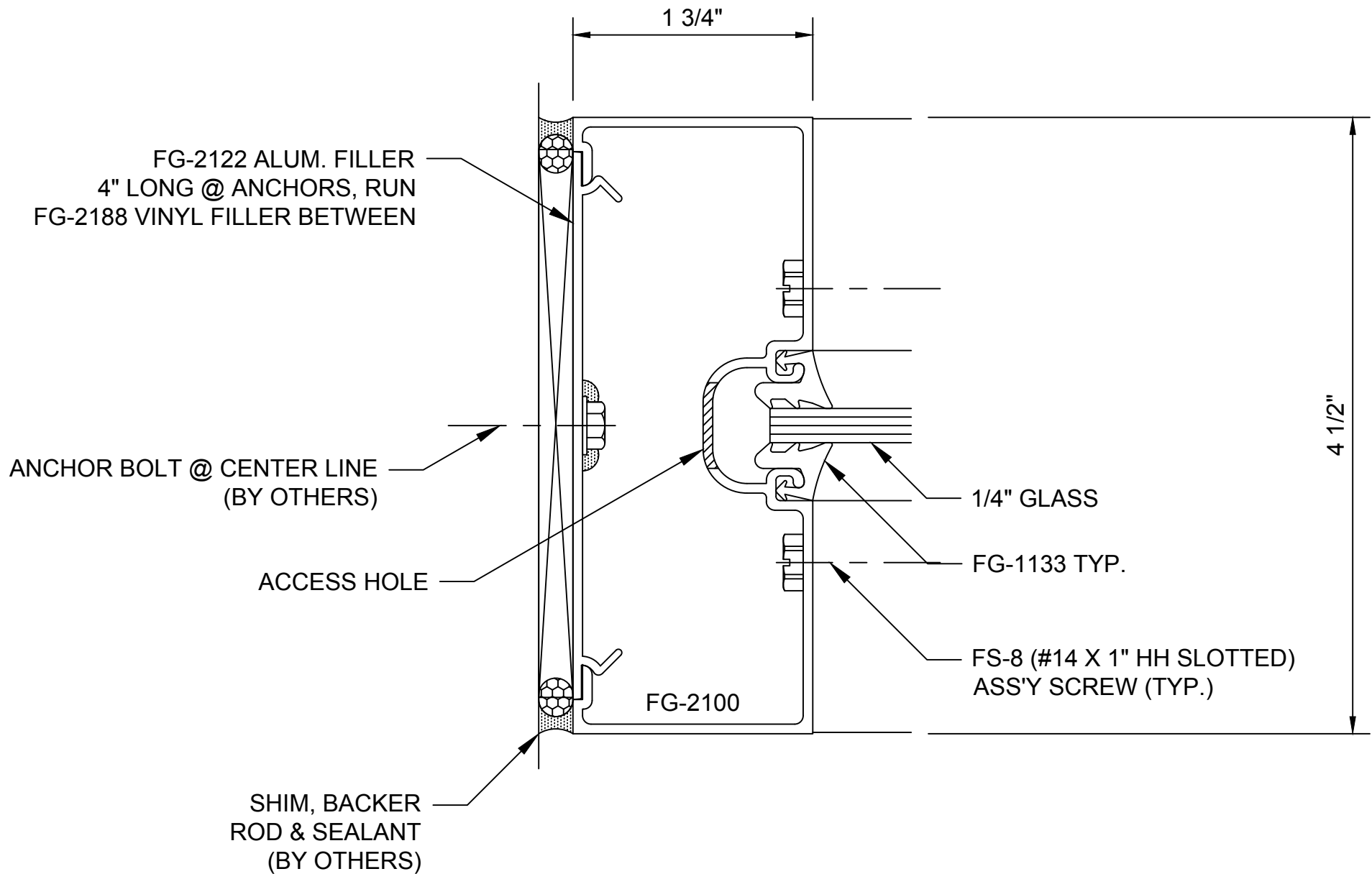
FG-2000 - Storefront  
Sub-Sill Splice and End Dam - H0550



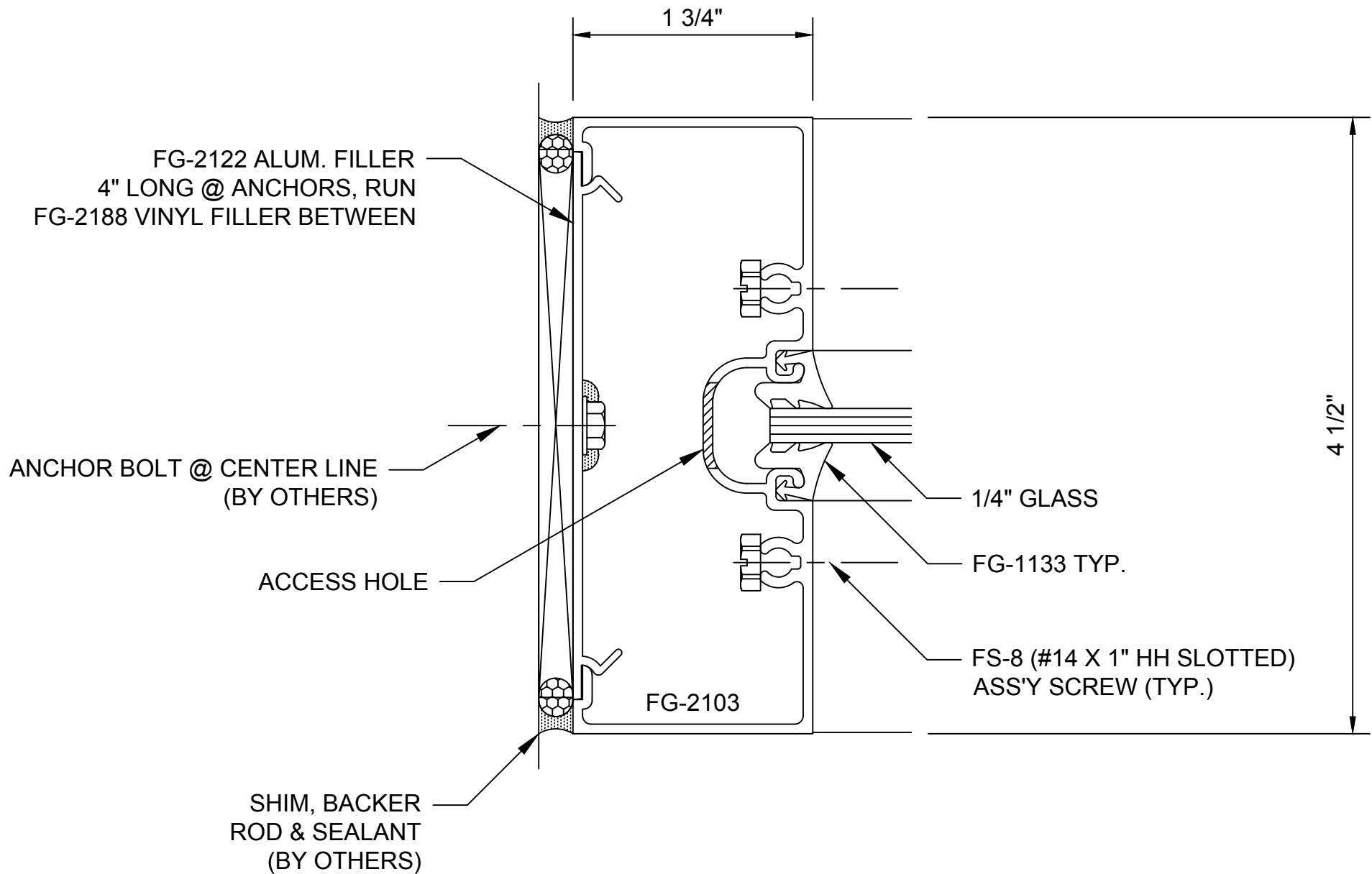
POCKET FILLERS

FG-1123  
SET IN SILICONE  
SEALANT (BY OTHERS)

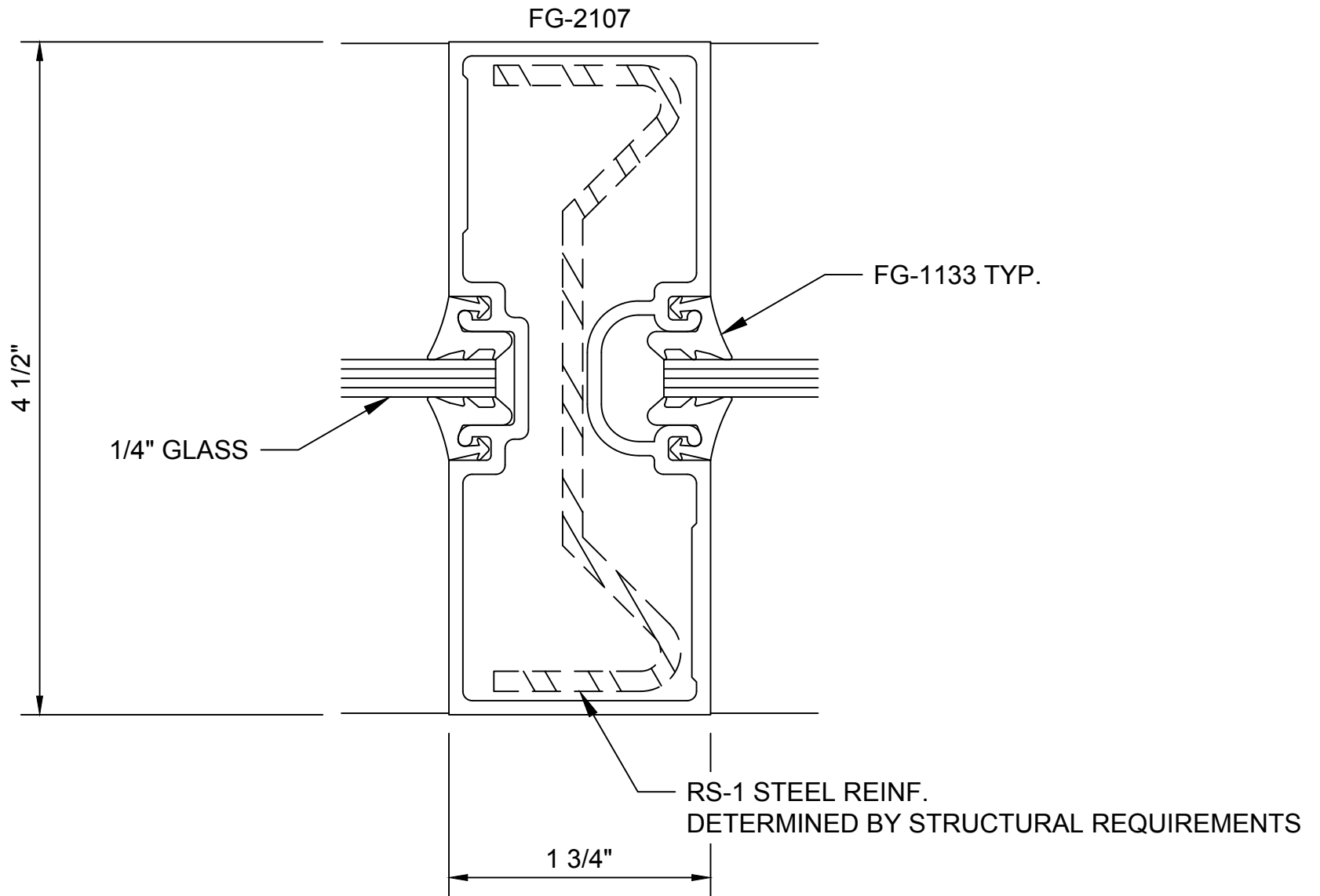
FG-1000/FG-2000 - Storefront - Center Set  
Glass Options - H4748



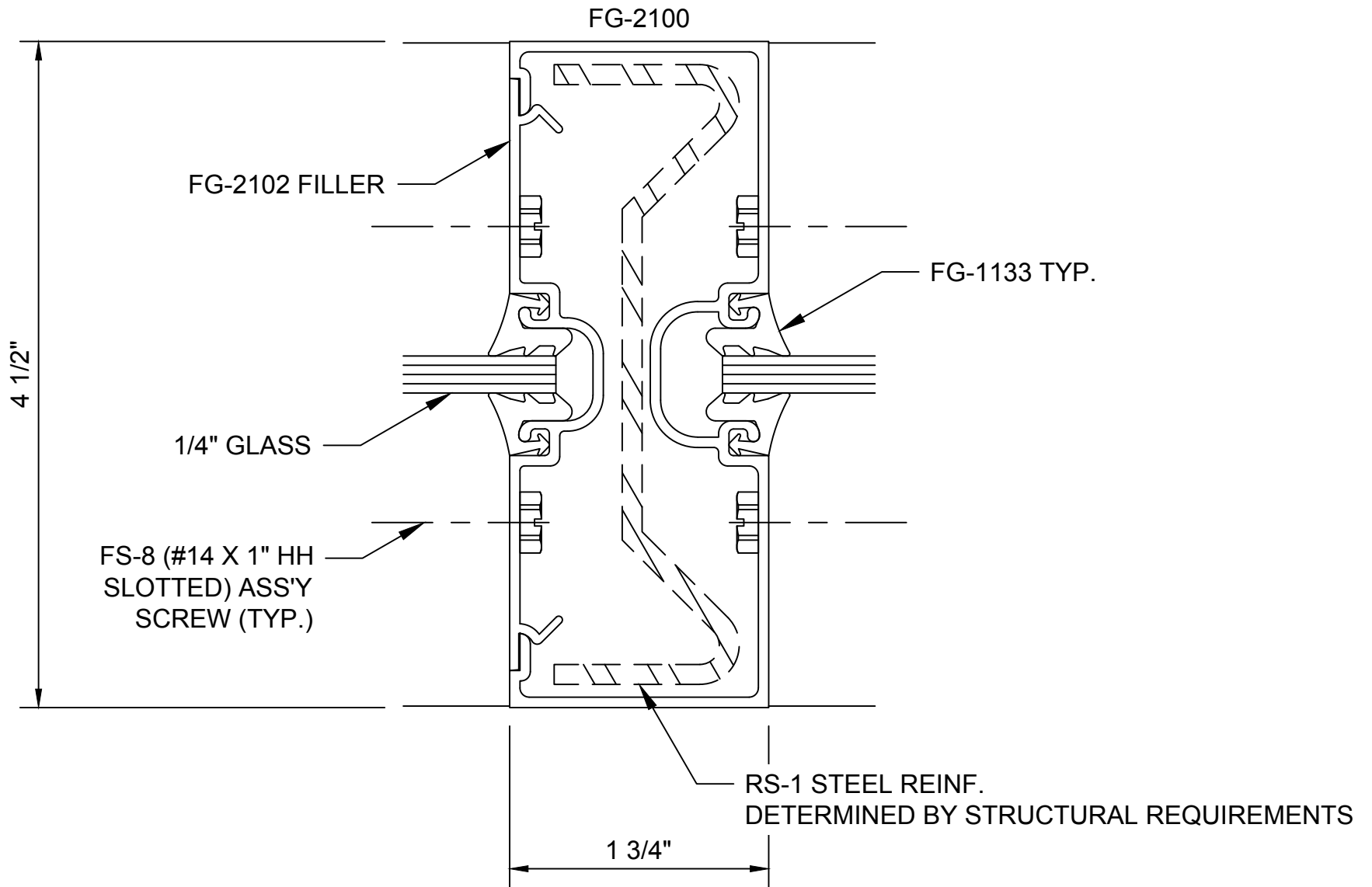
**FG-2000 - Storefront  
Jamb Vertical - V0501**



**FG-2000 - Storefront  
Jamb Vertical - V0502**

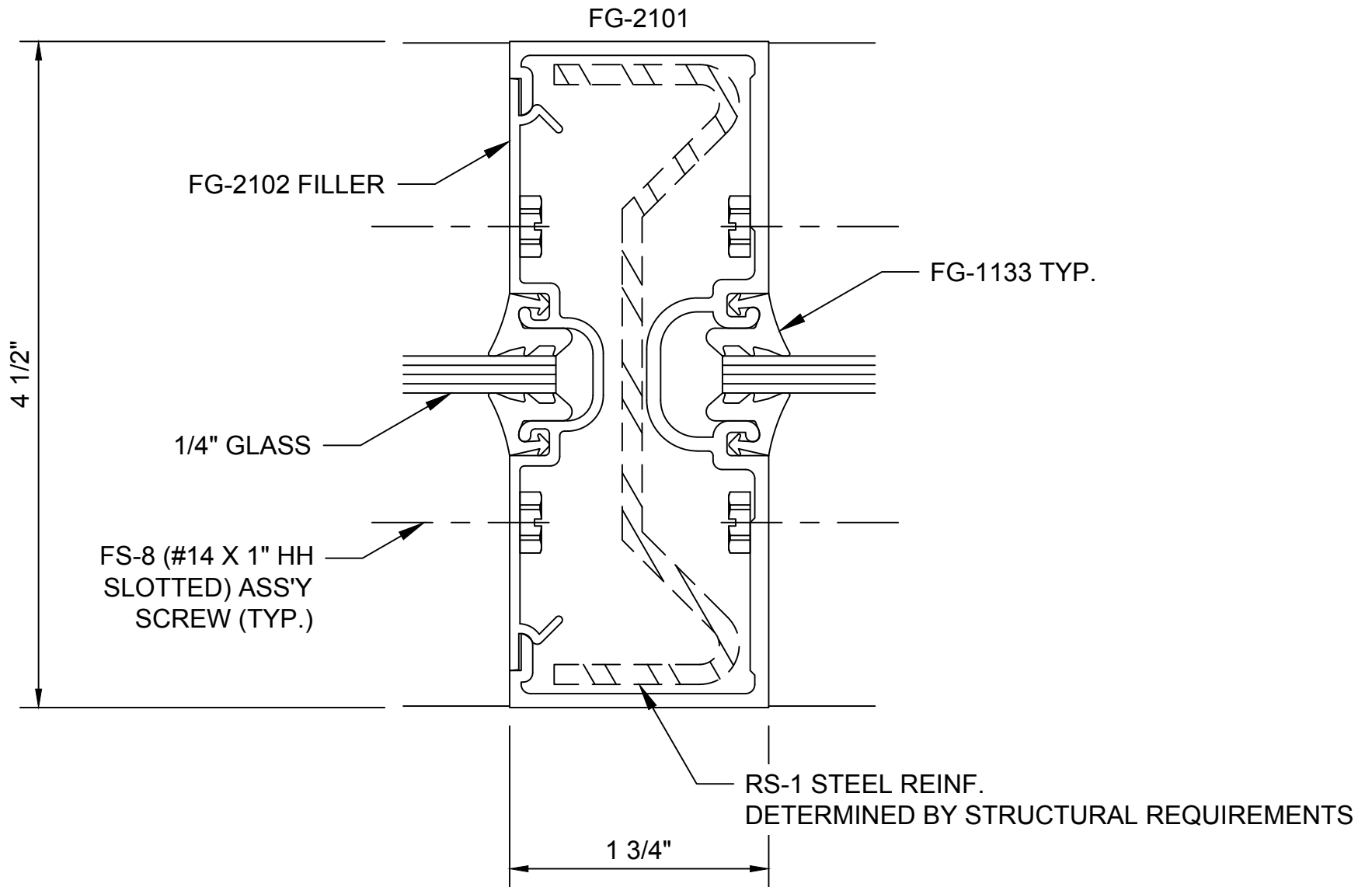


**FG-2000 - Storefront**  
**Intermediate Vertical - V0503**

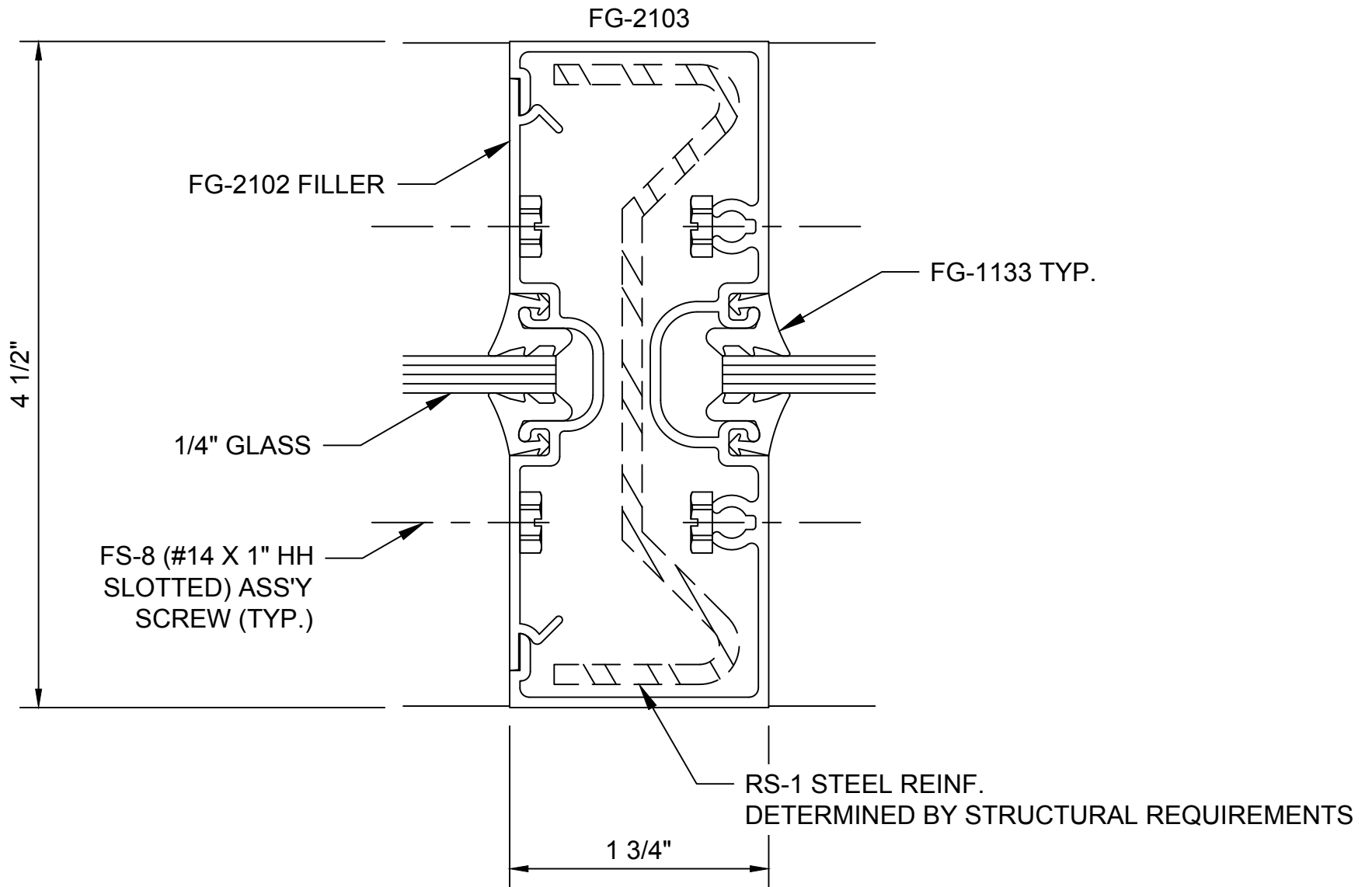


**FG-2000 - Storefront**  
**Intermediate Vertical - V0504**

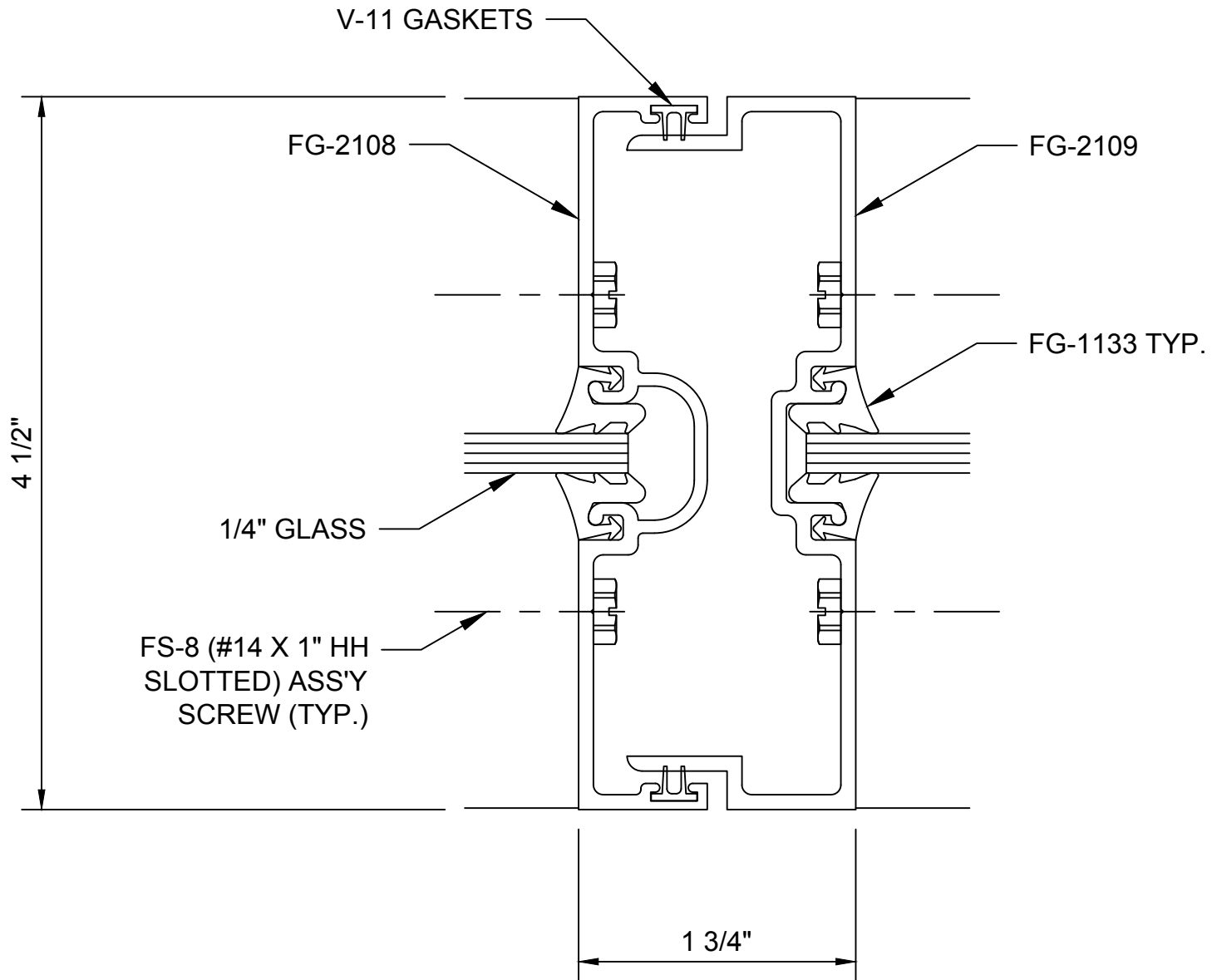




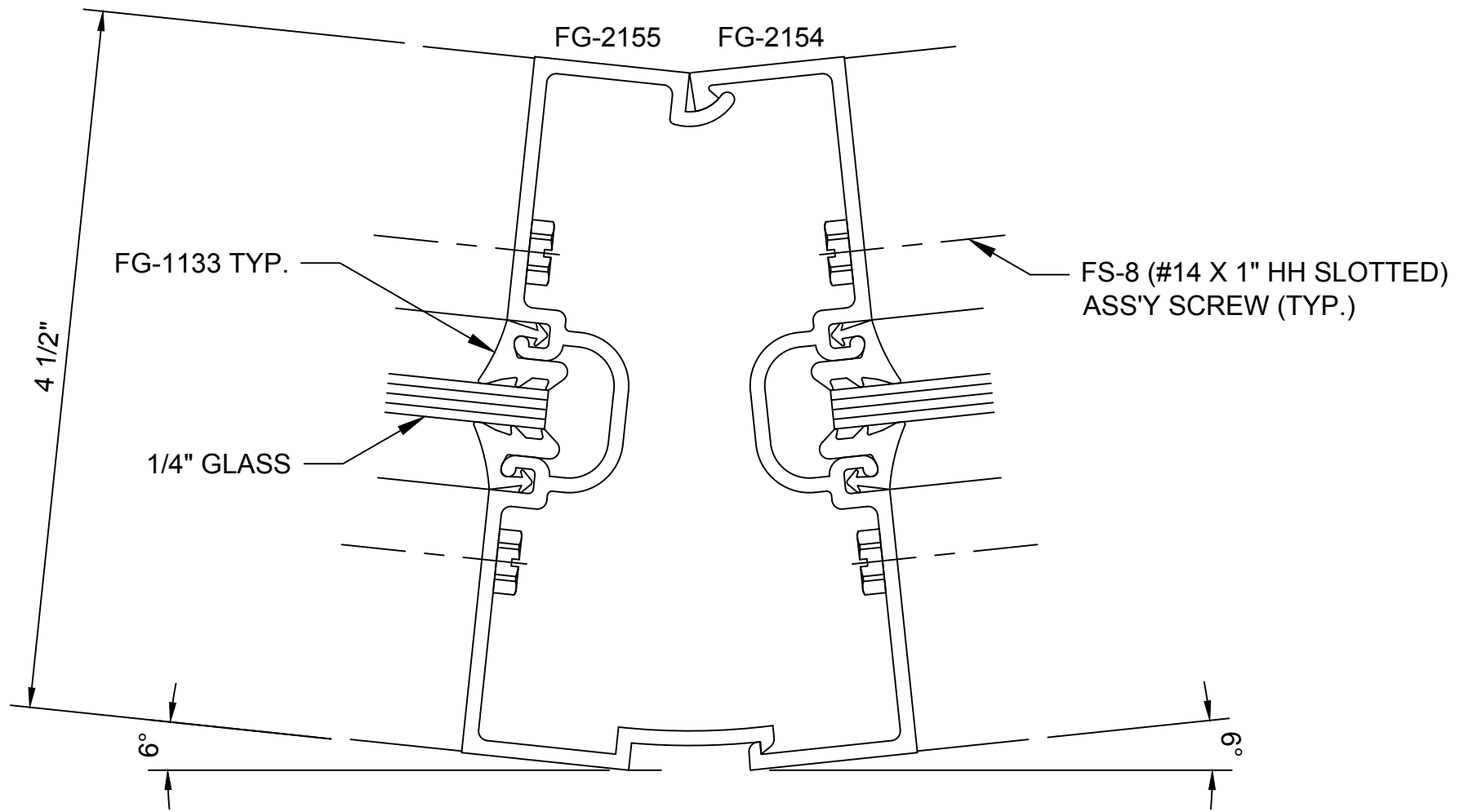
**FG-2000 - Storefront**  
**Intermediate Vertical - Heavy - V0505**



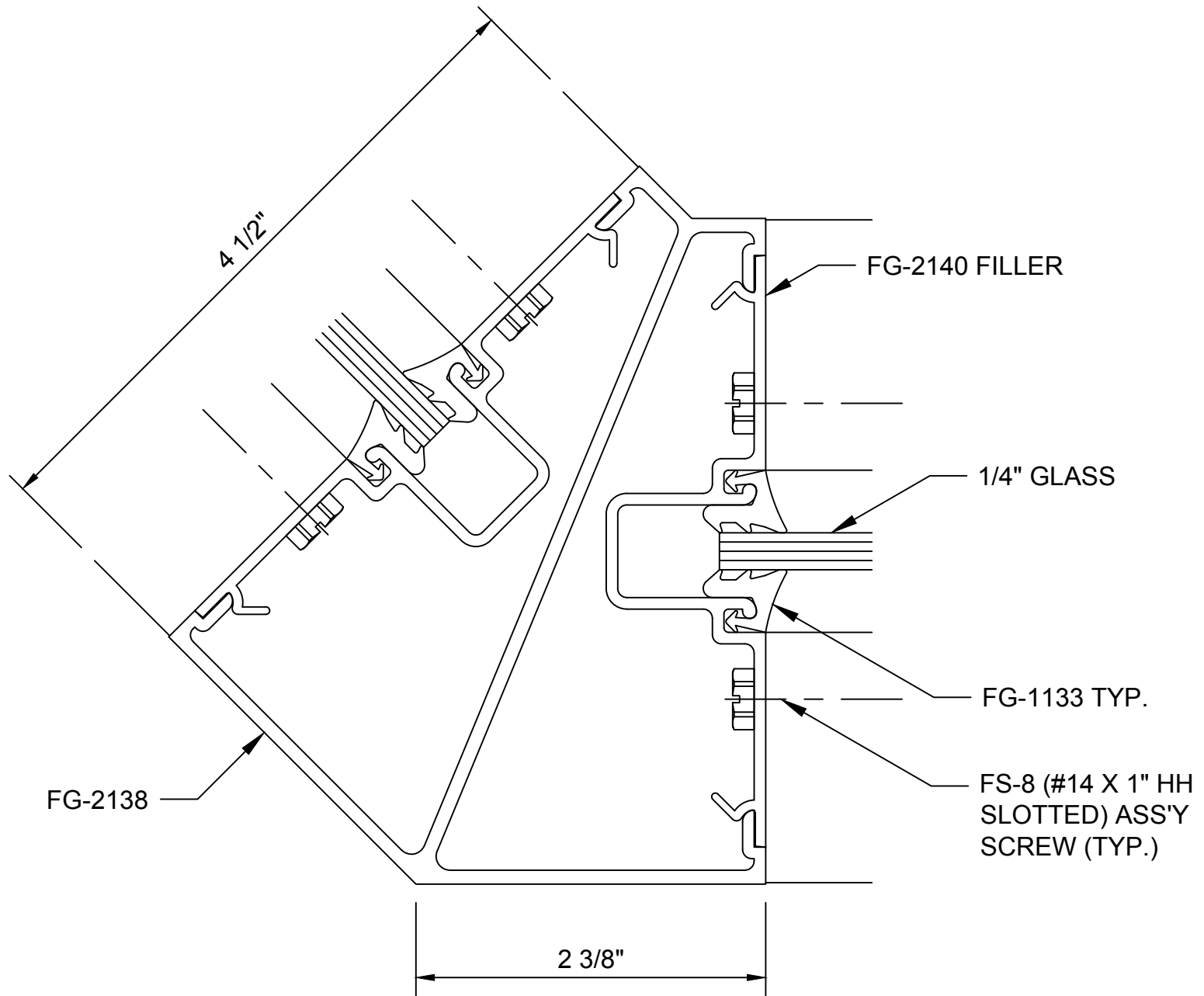
**FG-2000 - Storefront**  
**Intermediate Vertical - V0506**



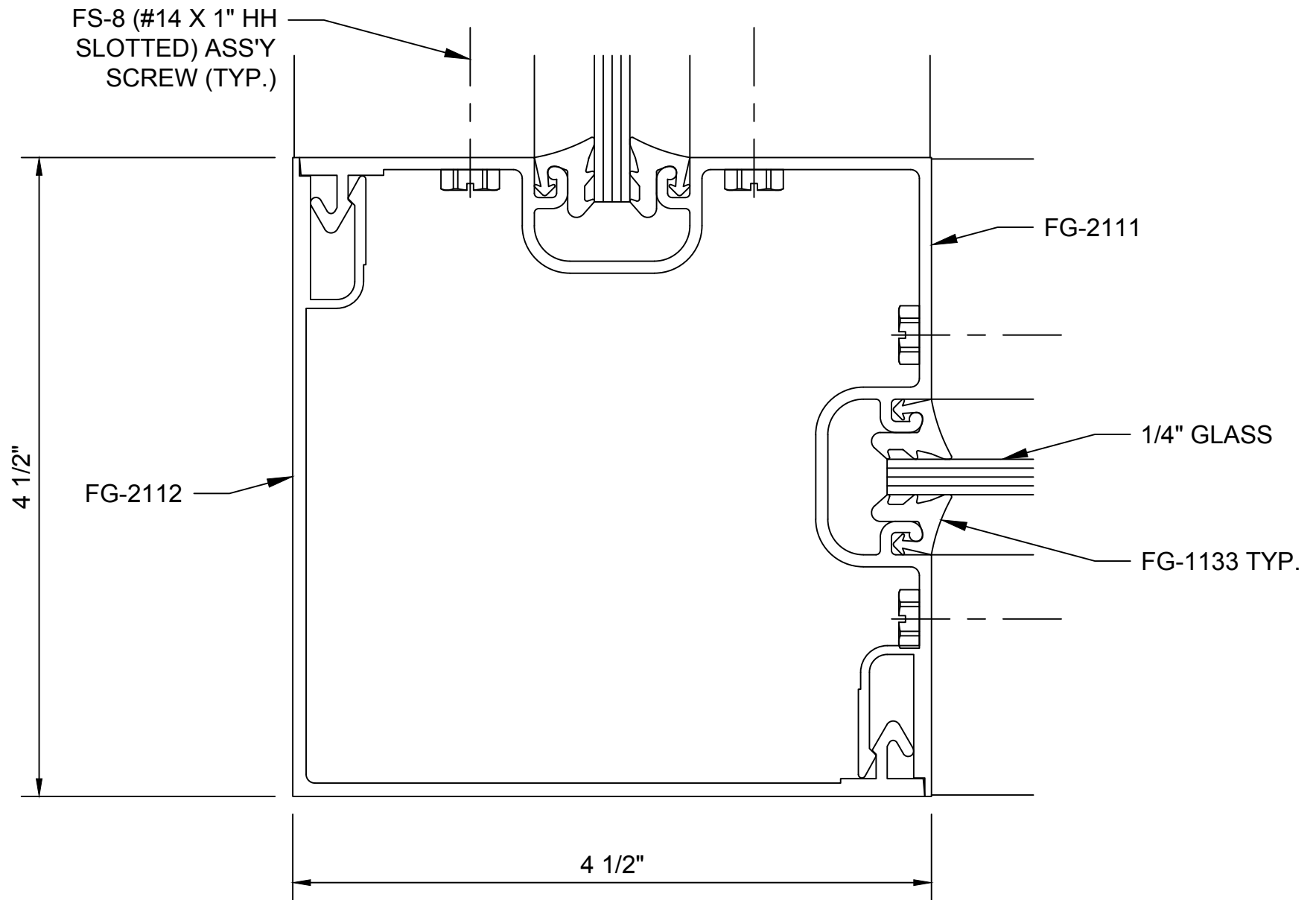
**FG-2000 - Storefront  
Expansion Vertical - V0507**



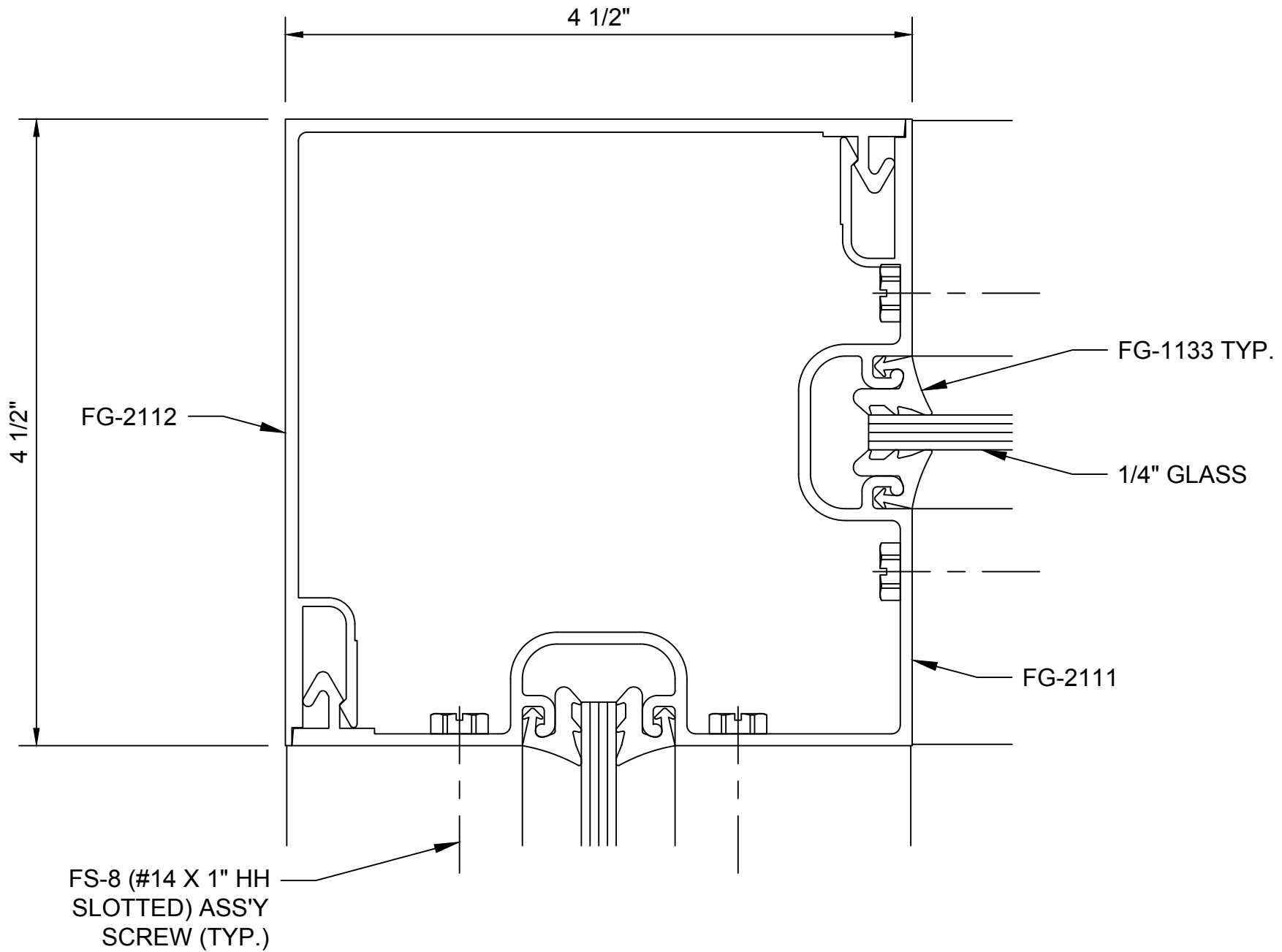
**FG-2000 - Storefront**  
**Adjustable Vertical 2° to 12° - V0508**



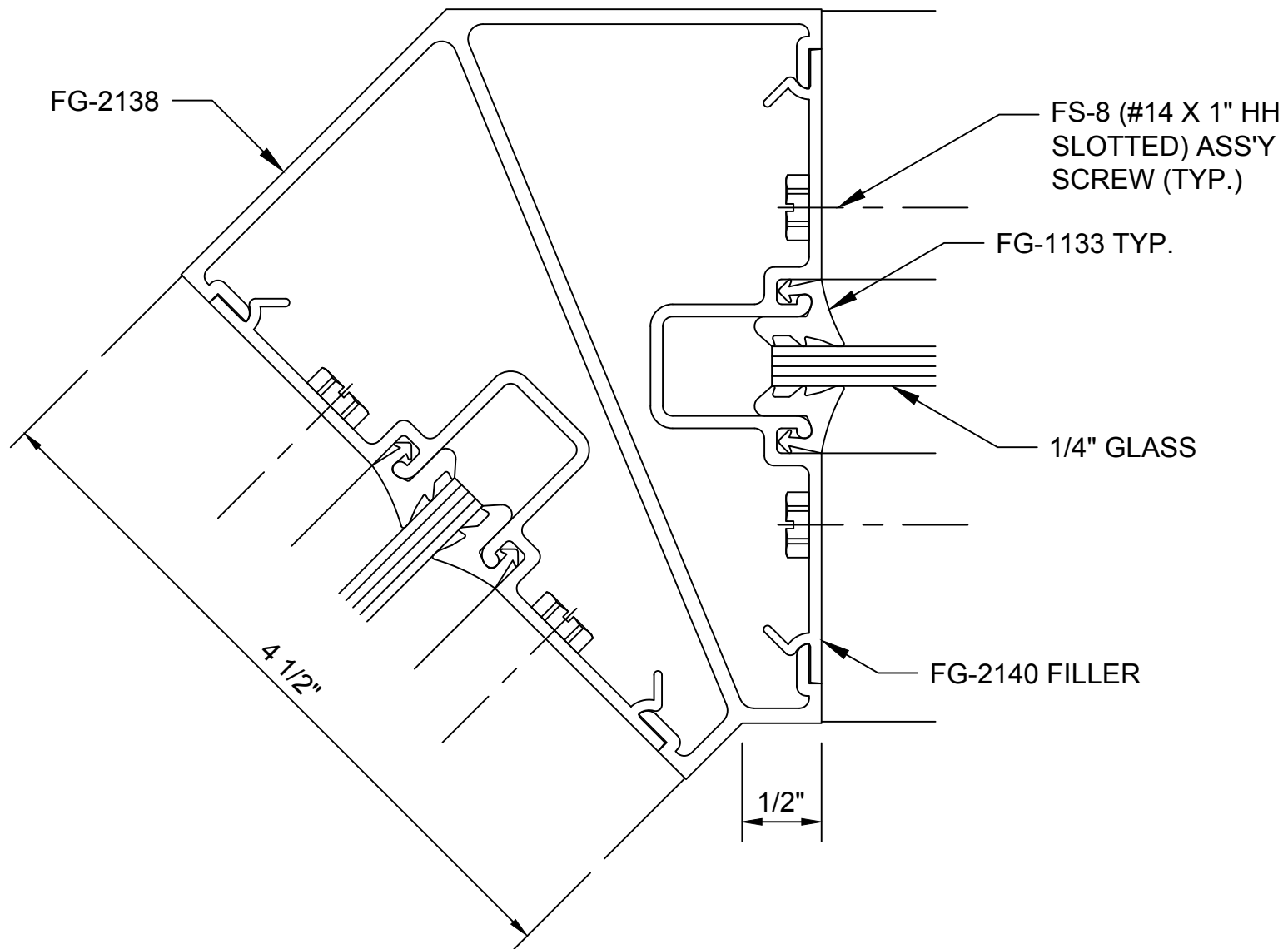
**FG-2000 - Storefront**  
**135° Outside Corner - V0510**



**FG-2000 - Storefront**  
**90° Outside Corner - V0511**

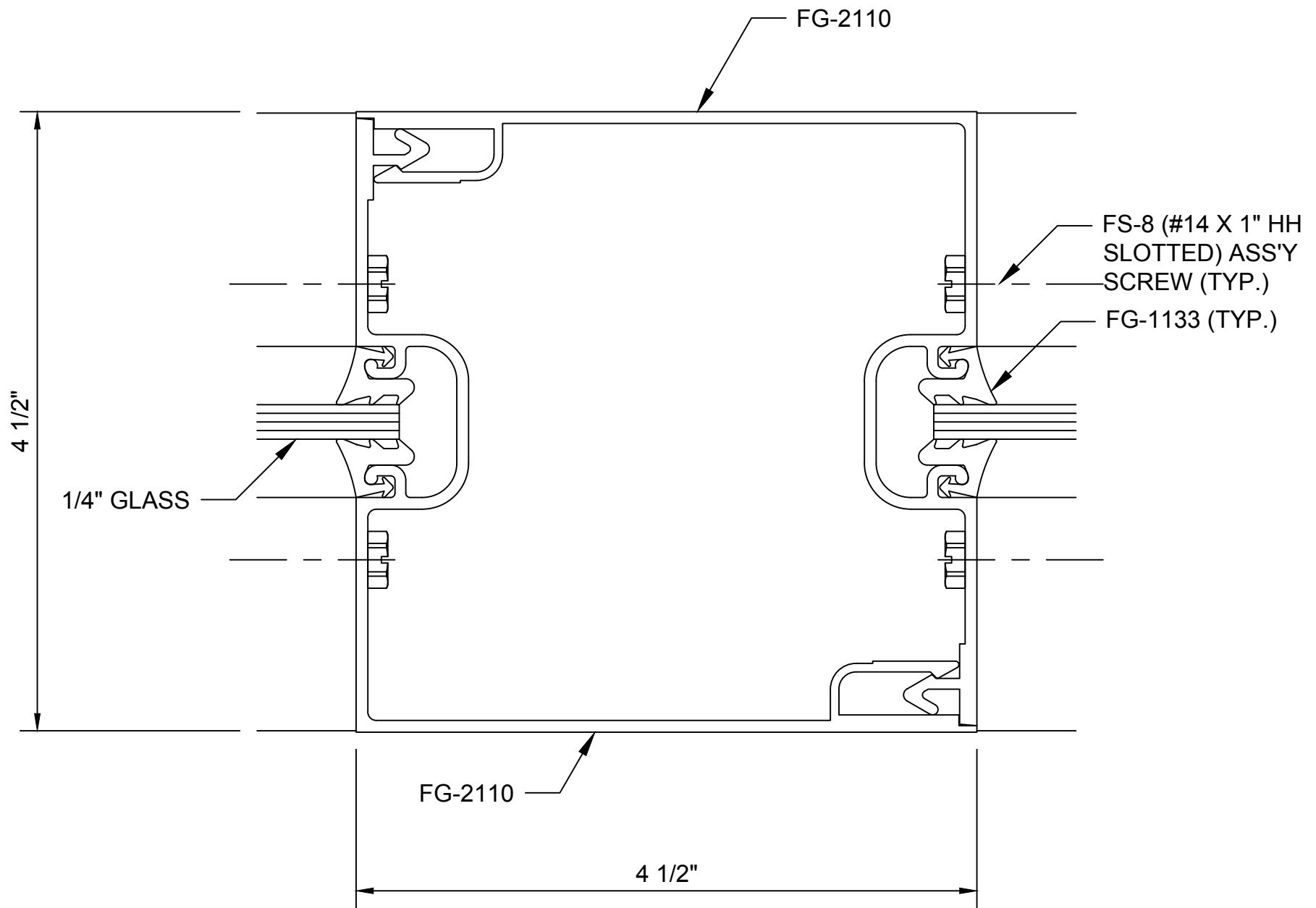


**FG-2000 - Storefront**  
**90° Inside Corner - V0512**

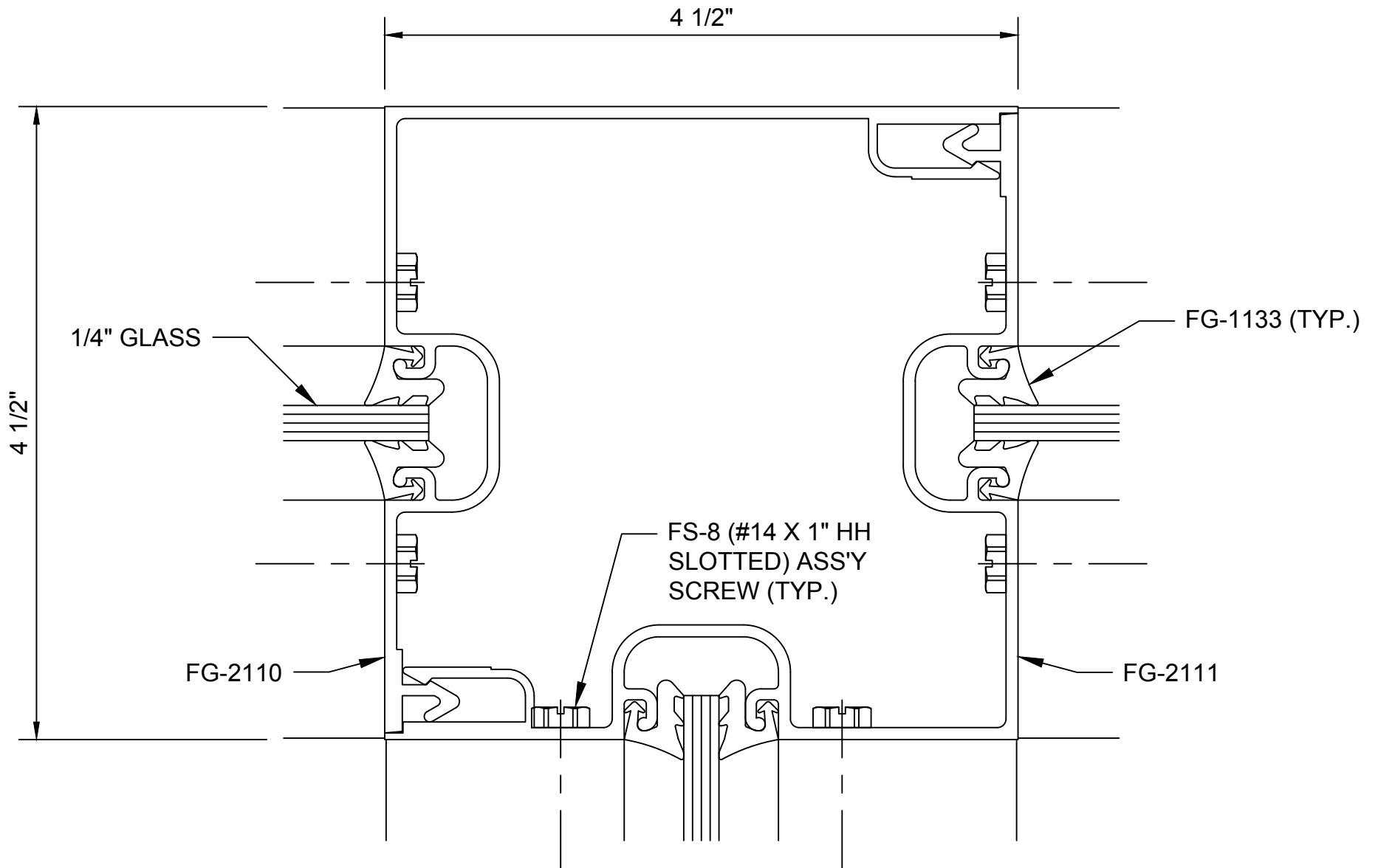


**FG-2000 - Storefront**  
**135° Inside Corner - V0514**





**FG-2000 - Storefront**  
**180° Post - V0515**



**FG-2000 - Storefront  
3-Way Corner - V0516**