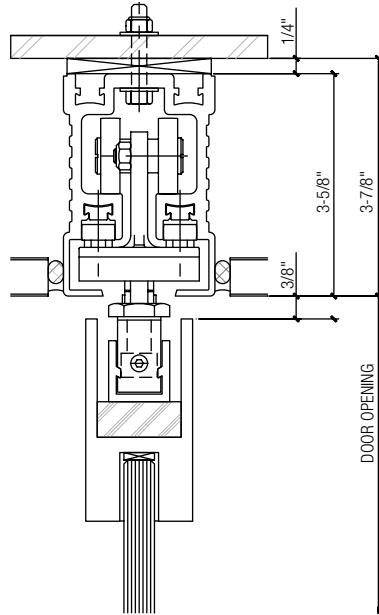
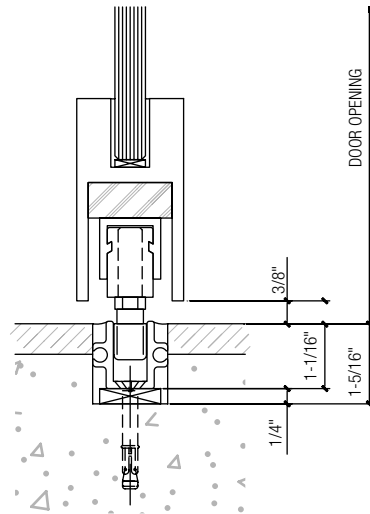


Bottom-Rolling and Top-Hung Sliding Doors: Top-Hung Sliding Door Section

Sliding Door Section



SECTION VIEW AT HEAD



SECTION VIEW AT SILL

Pictured here is a vertical section of our 90° and parallel stacking system.

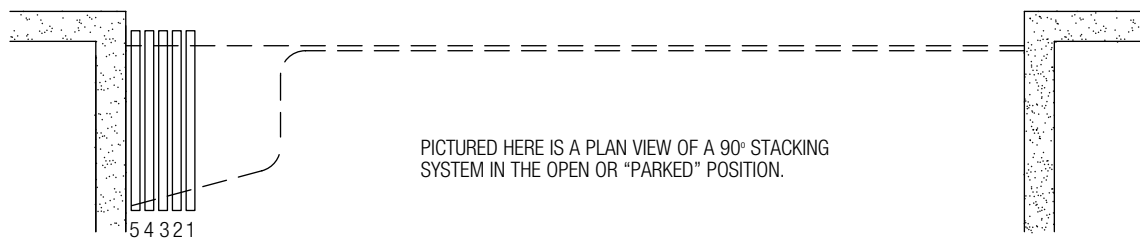
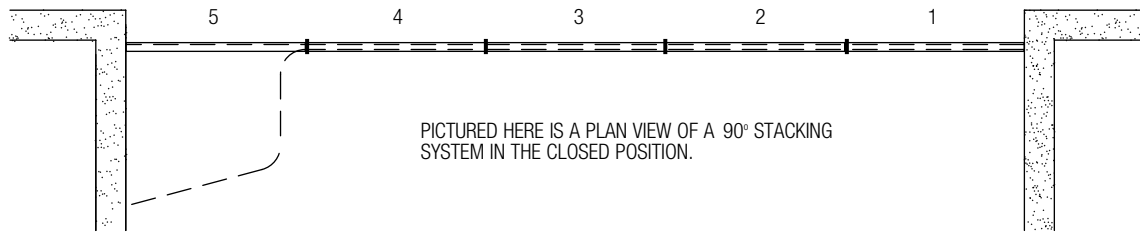
Detail shown is for reference only. Dimensions may vary. For specific applications, call 1-866-OLDCASTLE (653-2278) or log on to www.oldcastlebe.com.

Note: Drawings not to scale. All dimensions for reference only. Actual values based on project design and conditions.



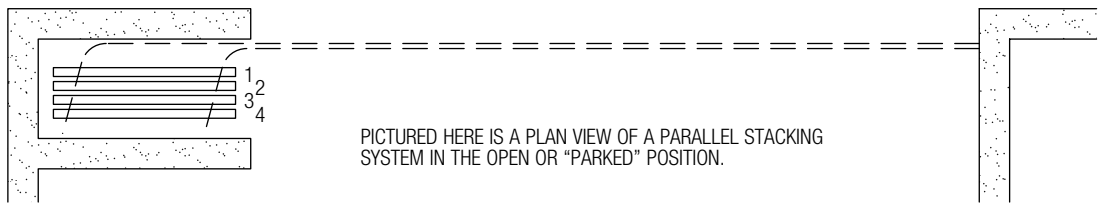
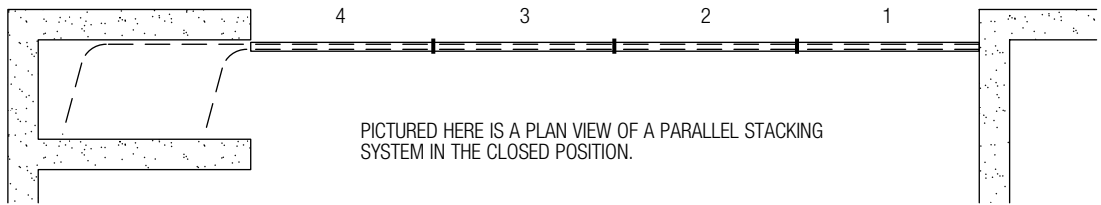
Bottom-Rolling and Top-Hung Sliding Doors: Top-Hung Sliding 90° Stack Area

90° Stacking Door System



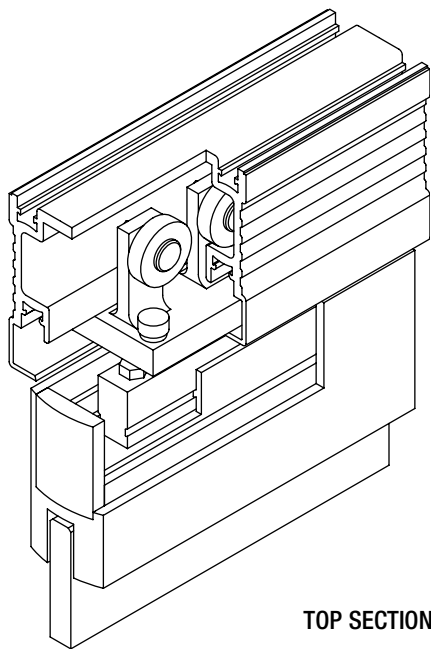
Bottom-Rolling and Top-Hung Sliding Doors: Top-Hung Sliding Parallel Stack Area

Parallel Stacking Door System



Bottom-Rolling and Top-Hung Sliding Doors: Top-Hung Sliding Roller Unit

Roller Unit/Suspension System

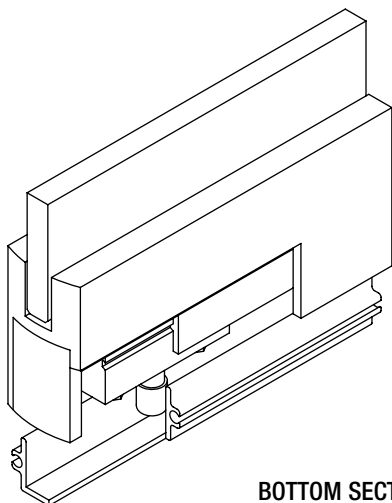


TOP SECTION

Stainless steel top rollers utilize the highest-quality roller bearings, permitting quiet, easy manipulation of the panels. The roller is adjustable.

Note: structural condition at the head must be adequate to support the full weight of the track system and tempered glass doors.

Note: Detail shown is for reference only. For specific applications, call 1-866-OLDCASTLE(653-2278) or log on to www.oldcastlebe.com.



BOTTOM SECTION



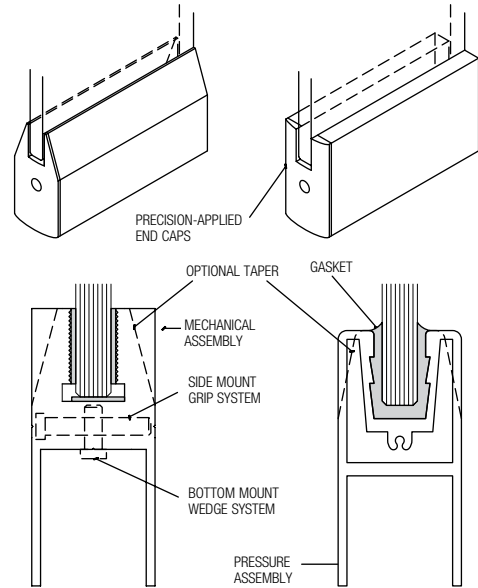
Bottom-Rolling and Top-Hung Sliding Doors: Rail Profiles

Rail Profile Dimensions

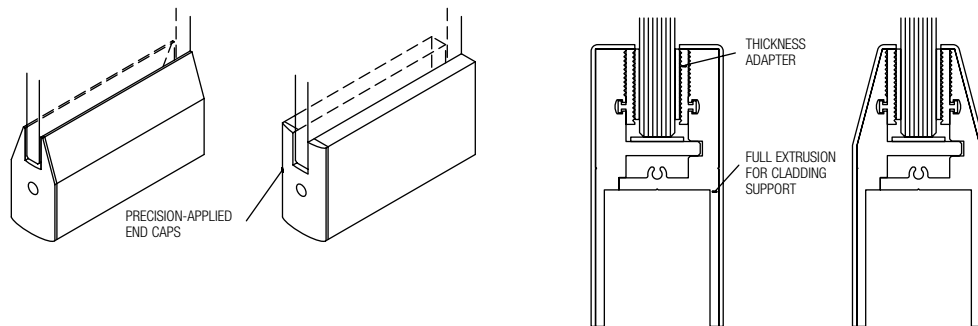
Standard:	1-3/4" x 3-3/8", 3-5/8", 4"
Option:	1-3/4" x 6" square
ADA-Compliant:	1-3/4" x 3-5/8" and 4" tapered 1-3/4" x 10" square

- Rail assemblies are provided in wet- or dry-glazed rails. Dry-glazed rails utilize pressure-fitted gasket or are mechanically fastened.
- Custom rail heights available by special order.
- Rails are supplied with standard precision applied end caps.
- For other rail height dimensions, call 1-866-OLDCASTLE (653-2278) or log on to www.oldcastlebe.com.

Dry-Glaze Rail



Brite Vue® Door Rail

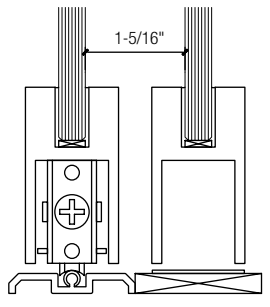
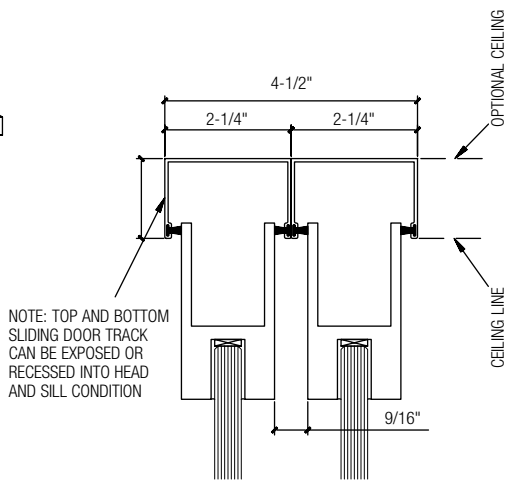
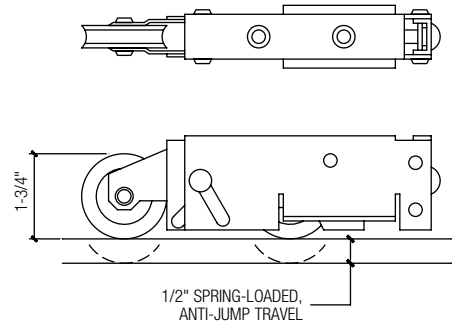
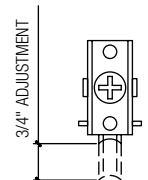
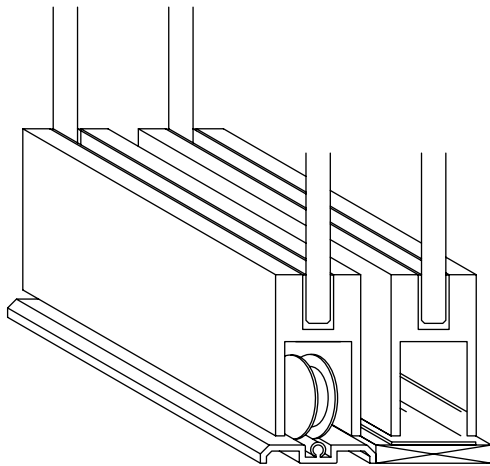


Note: Drawings not to scale



Bottom-Rolling and Top-Hung Sliding Doors: Bottom-Rolling Details

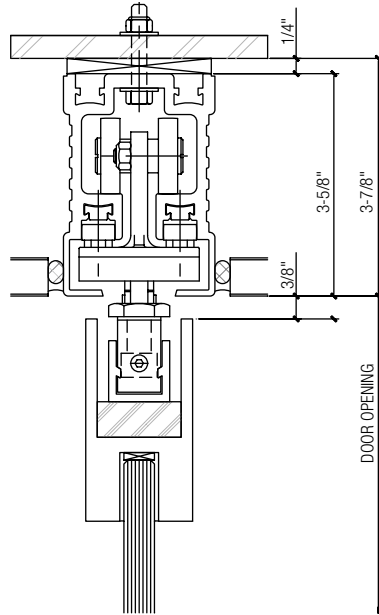
Bottom-rolling sliding doors are adaptable to single- or multiple-track installations. They can utilize any of the standard Oldcastle BuildingEnvelope™ rails and finishes but must be P-style doors with continuous top and bottom rails. Depending upon the rail style, they can use 3/8" and 1/2" clear, gray or bronze glass 5/8" or 3/4" clear or low iron glass.



Note: Drawings not to scale.
All dimensions for reference only. Actual values based on project design and conditions.

Bottom-Rolling and Top-Hung Sliding Doors: Top-Hung Sliding Door Section

Sliding Door Section

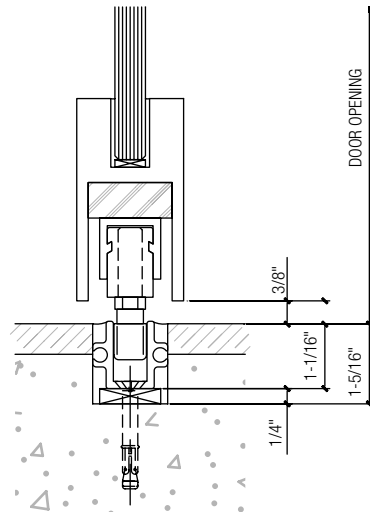


SECTION VIEW AT HEAD

Pictured here is a vertical section of our 90° and parallel stacking system.

Detail shown is for reference only. Dimensions may vary. For specific applications, call 1-866-OLDCASTLE (653-2278) or log on to www.oldcastlebe.com.

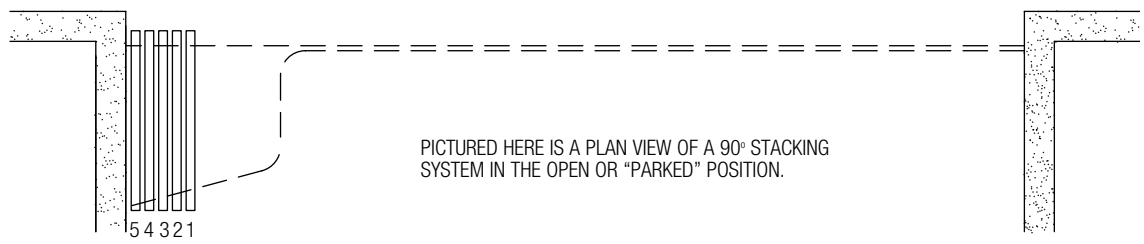
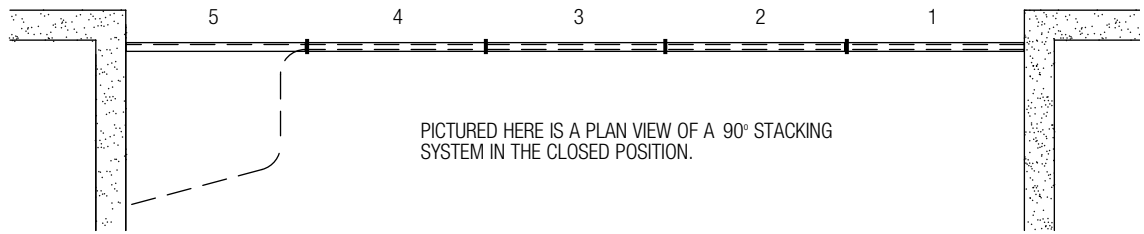
Note: Drawings not to scale. All dimensions for reference only. Actual values based on project design and conditions.



SECTION VIEW AT SILL

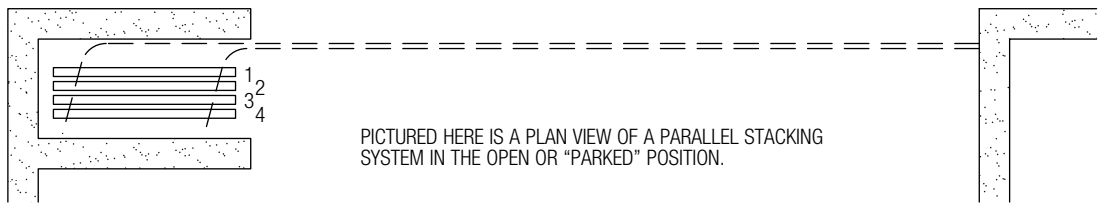
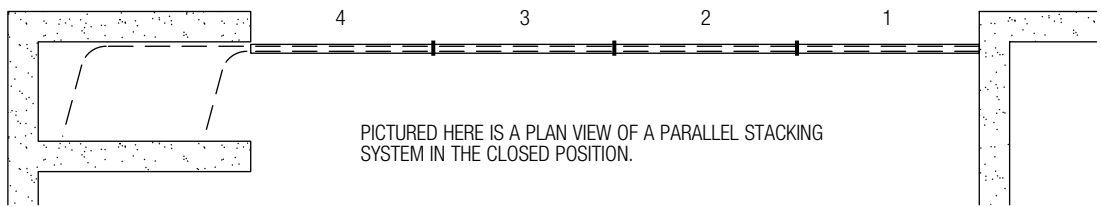
Bottom-Rolling and Top-Hung Sliding Doors: Top-Hung Sliding 90° Stack Area

90° Stacking Door System



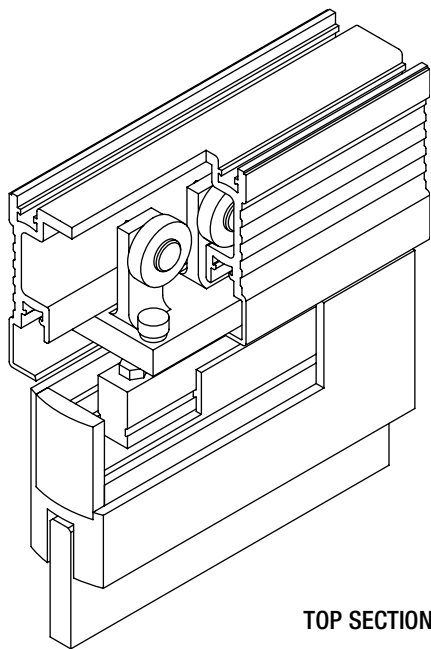
Bottom-Rolling and Top-Hung Sliding Doors: Top-Hung Sliding Parallel Stack Area

Parallel Stacking Door System



Bottom-Rolling and Top-Hung Sliding Doors: Top-Hung Sliding Roller Unit

Roller Unit/Suspension System

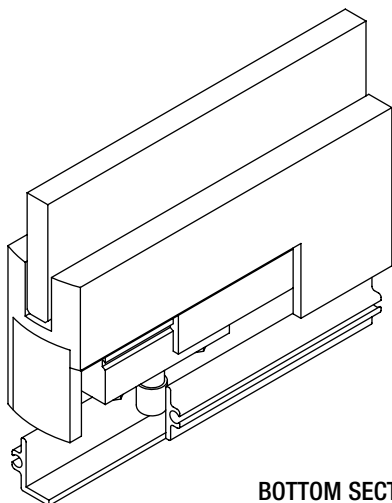


TOP SECTION

Stainless steel top rollers utilize the highest-quality roller bearings, permitting quiet, easy manipulation of the panels. The roller is adjustable.

Note: structural condition at the head must be adequate to support the full weight of the track system and tempered glass doors.

Note: Detail shown is for reference only. For specific applications, call 1-866-OLDCASTLE(653-2278) or log on to www.oldcastlebe.com.



BOTTOM SECTION



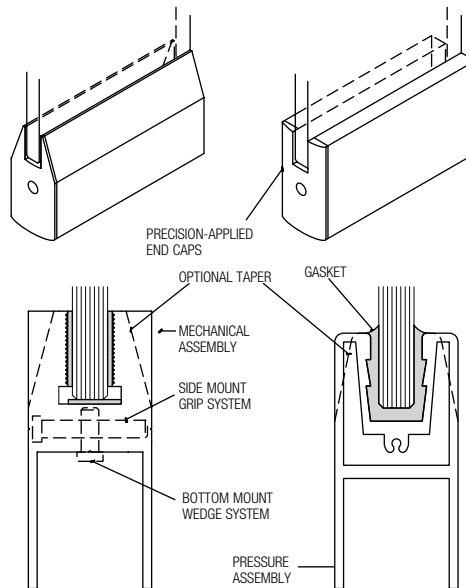
All-Glass Entrance Systems: Rail Profiles

Rail Profile Dimensions

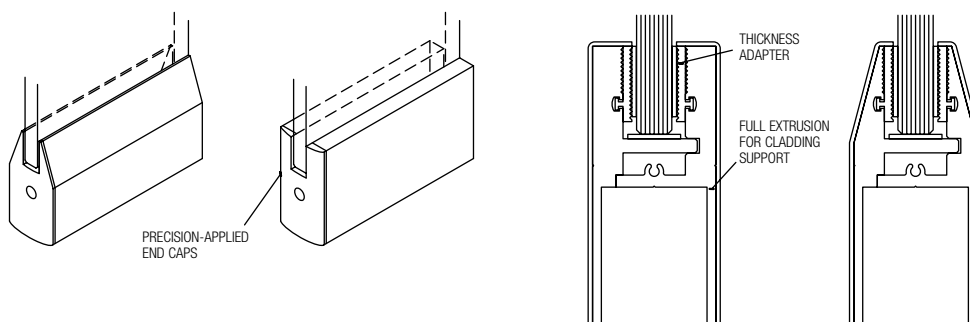
Standard:	1-3/4" x 3-3/8", 3-5/8", 4" square
Option:	1-3/4" x 6" square
ADA-Compliant:	1-3/4" x 3-5/8" and 4" tapered 1-3/4" x 10" square

- Rail assemblies are dry-glazed. Dry-glazed rails utilize pressure-fitted gasket or mechanically fastened.
- Rails supplied with standard precision applied end caps.
- Custom rail heights available by special order.
- For available rail height dimensions, call 1-866-OLDCASTLE (653-2278) or log on to www.oldcastlebe.com.

Dry-Glaze Rail



Brite Vue® Door Rail



Note: Drawings not to scale