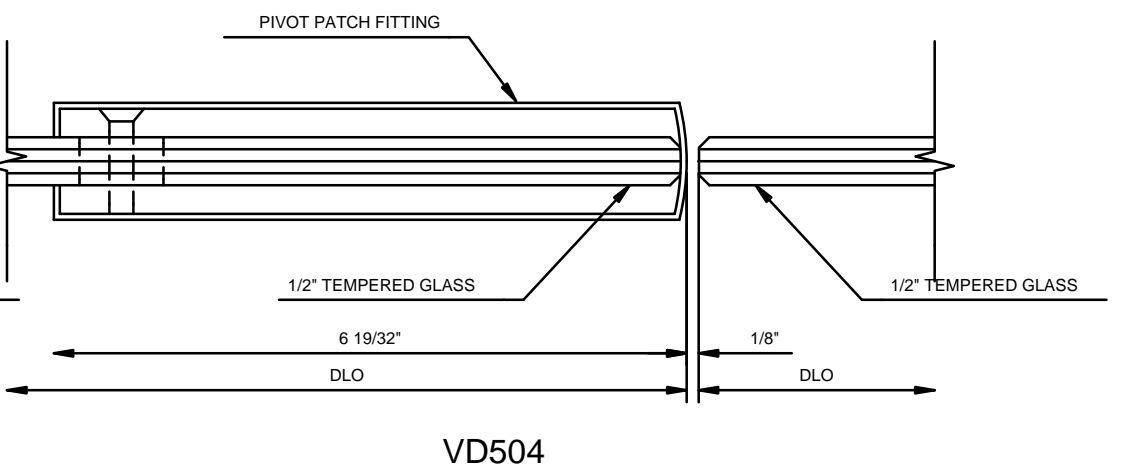
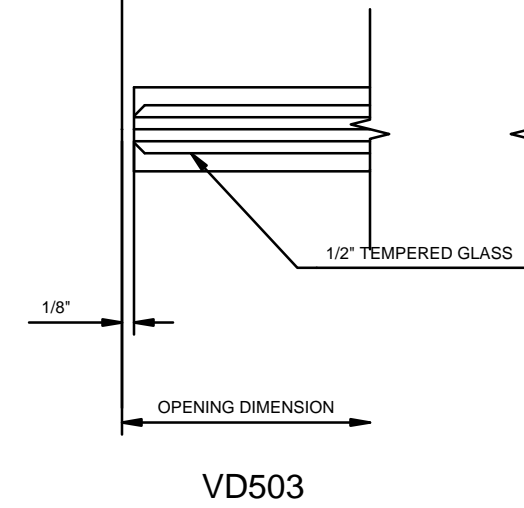
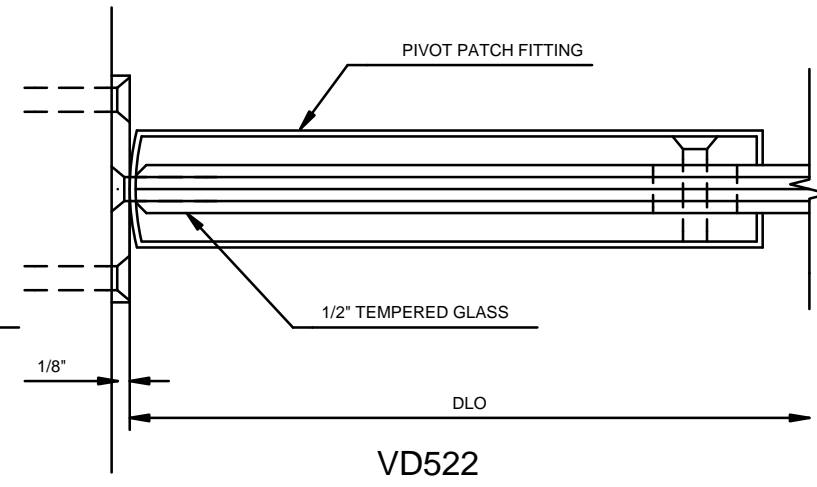
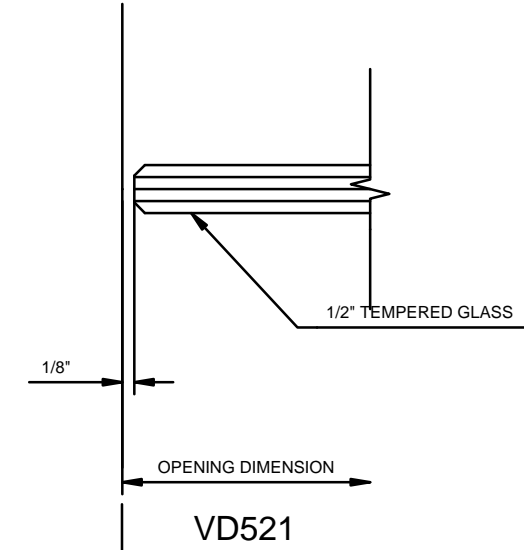
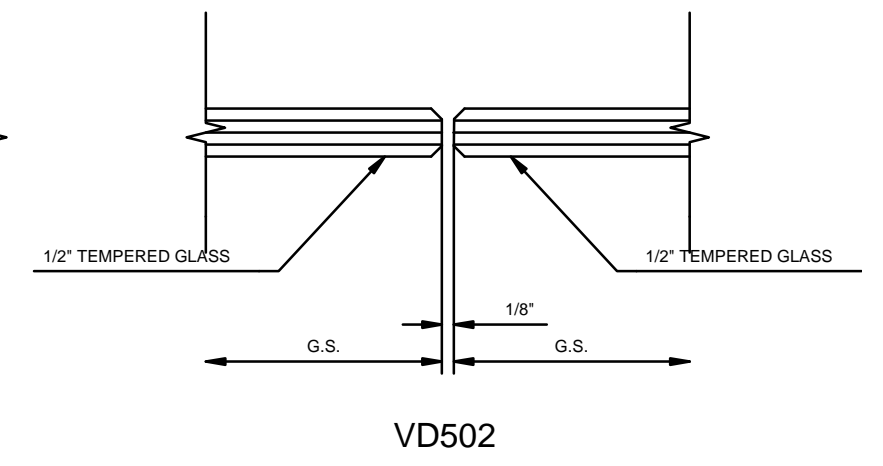
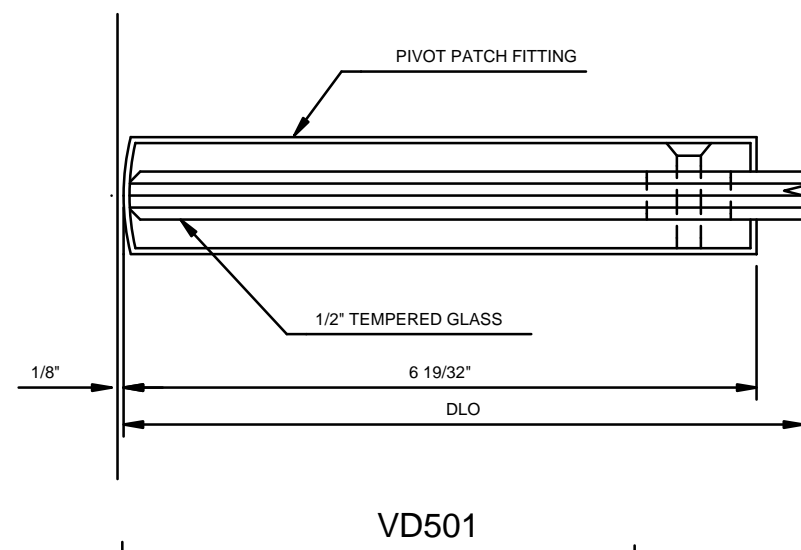
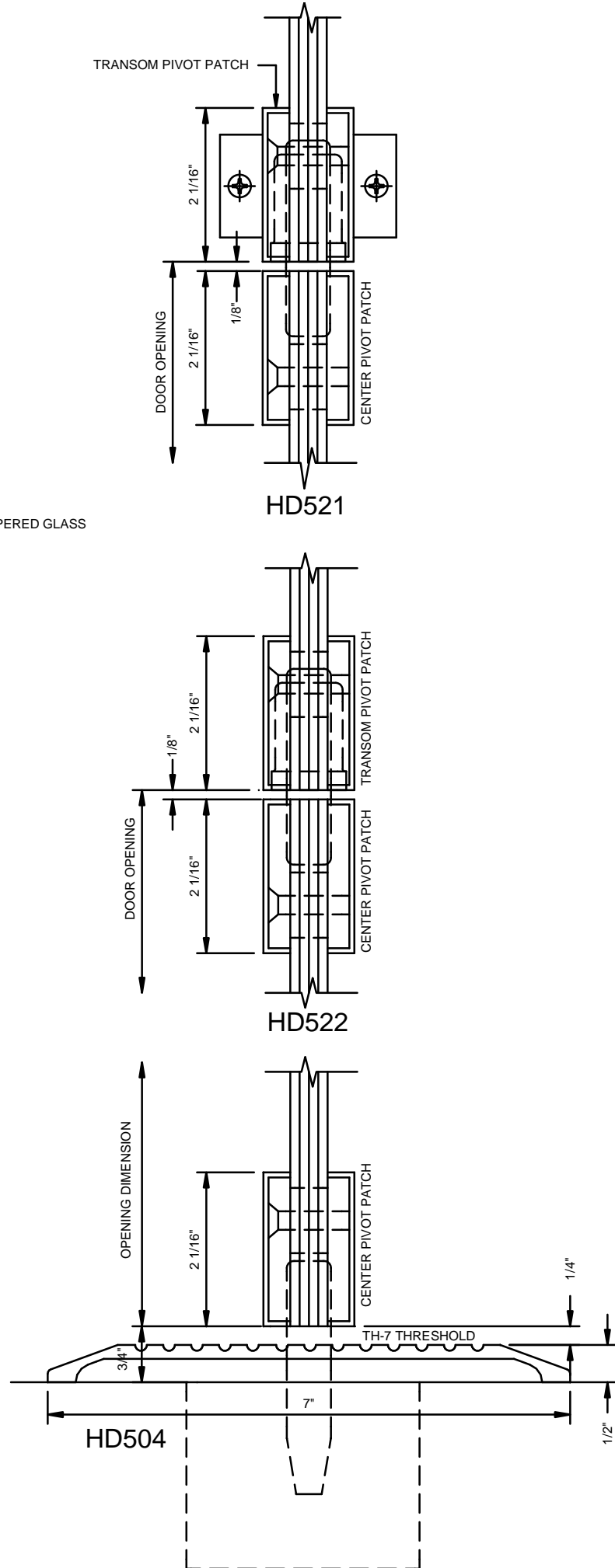
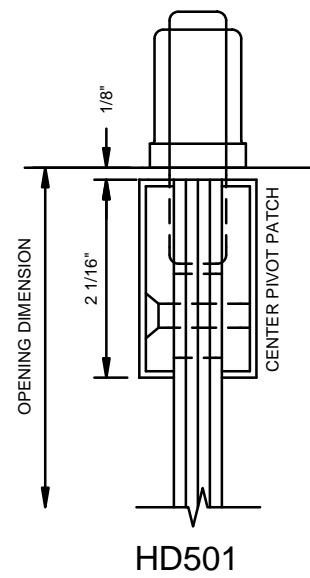
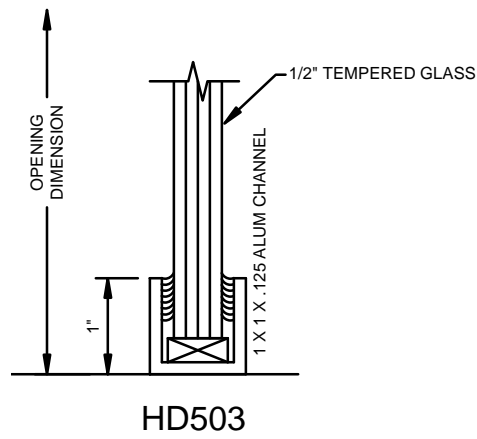
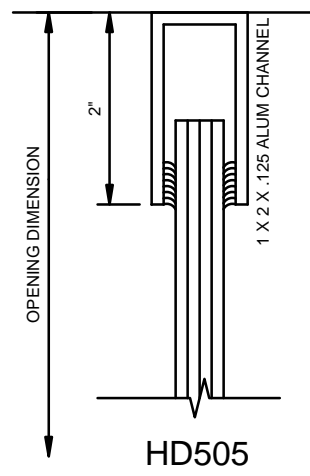
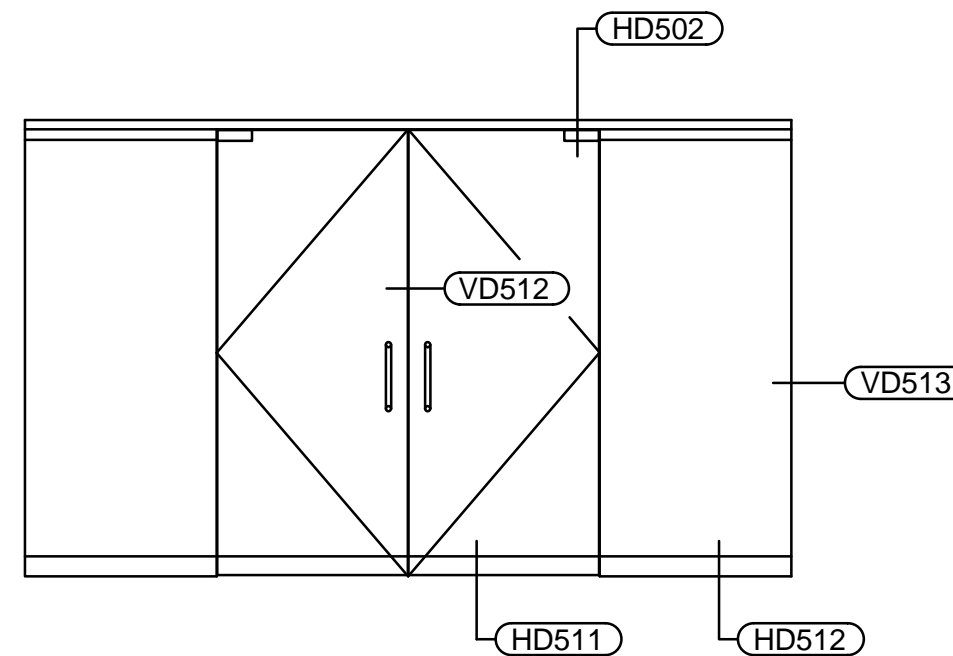
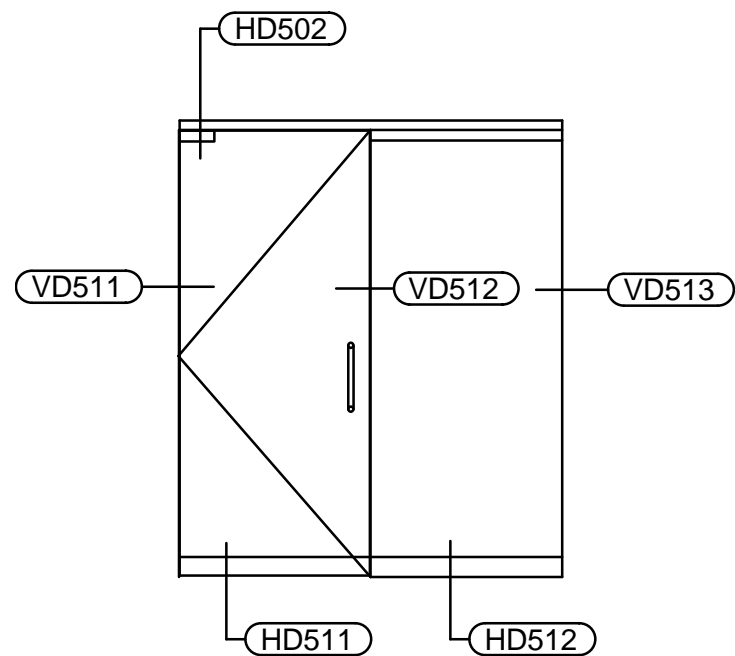
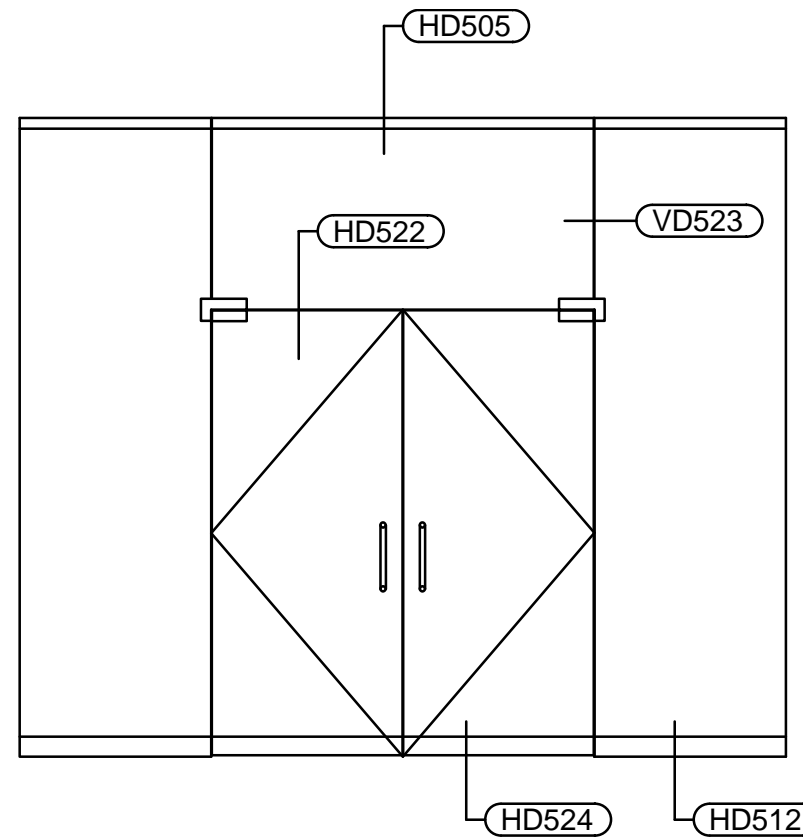
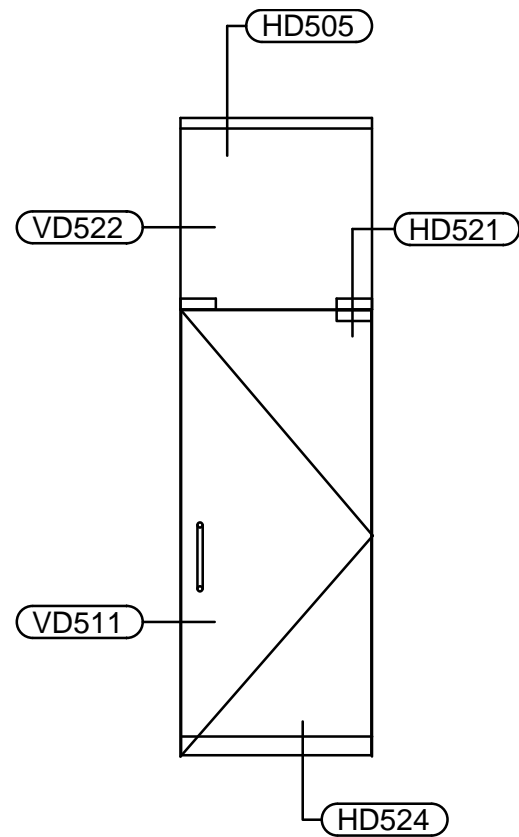


**MODEL NO. 51GSA**  
GLASS SYSTEMS DOORS TYPE A  
PATCH FITTINGS AT TOP & BOTTOM PIVOT POINTS  
CENTER LATCH LOCK OPTIONAL

USE ELEVATIONS AS REFERENCE ONLY. CONTACT YOUR LOCAL SALES REPRESENTATIVE FOR SPECIFIC PROJECT SUPPORT

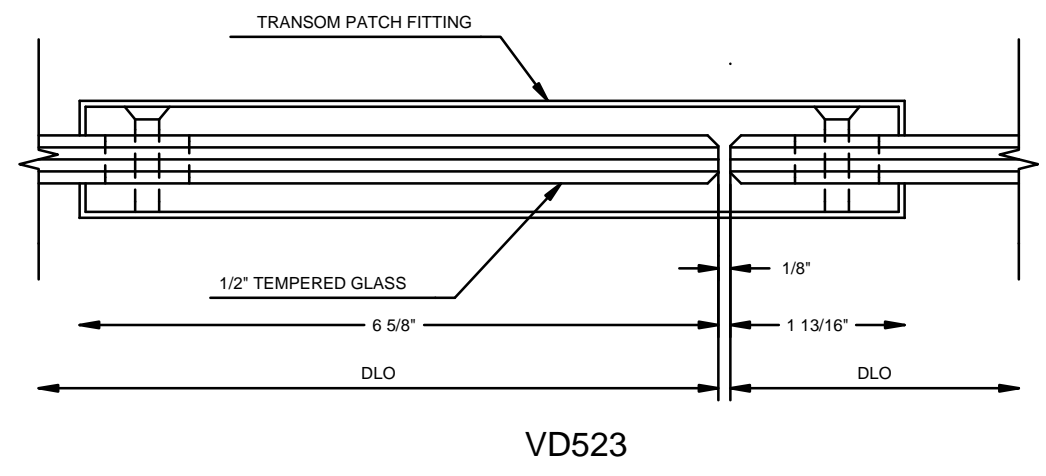
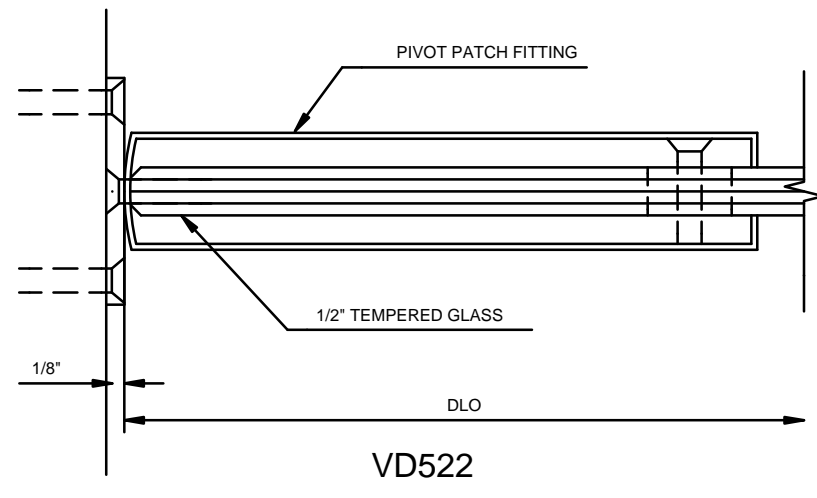
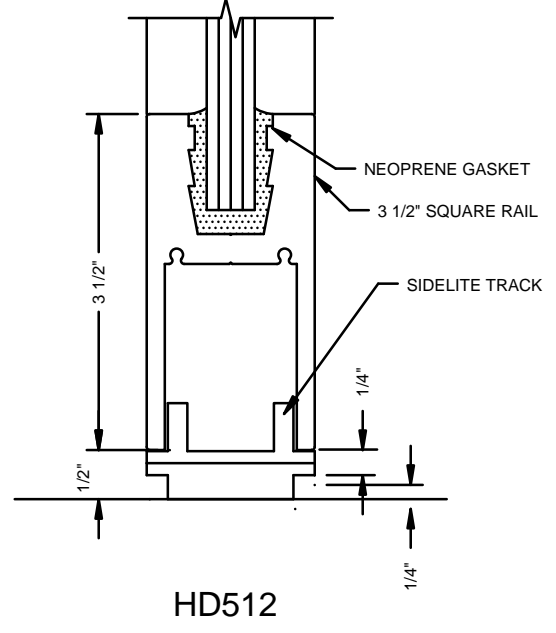
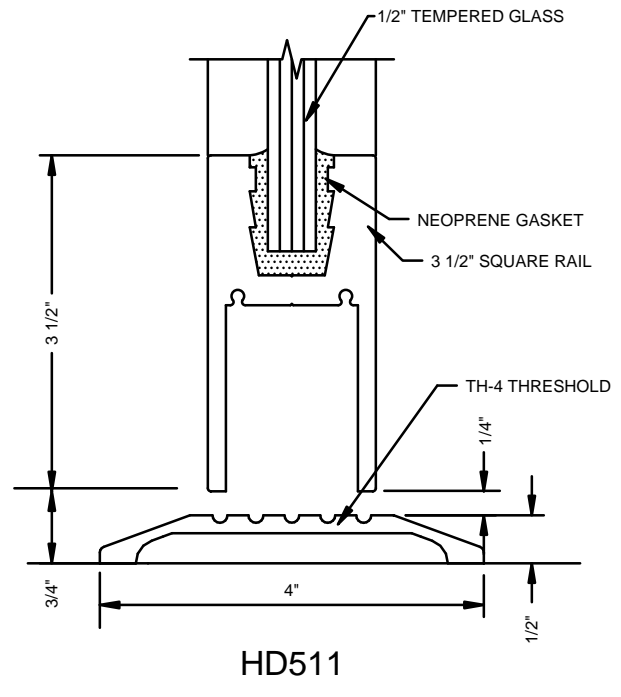
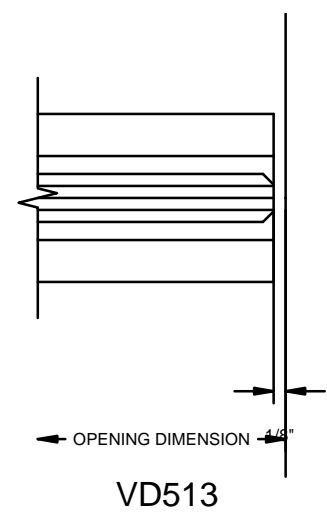
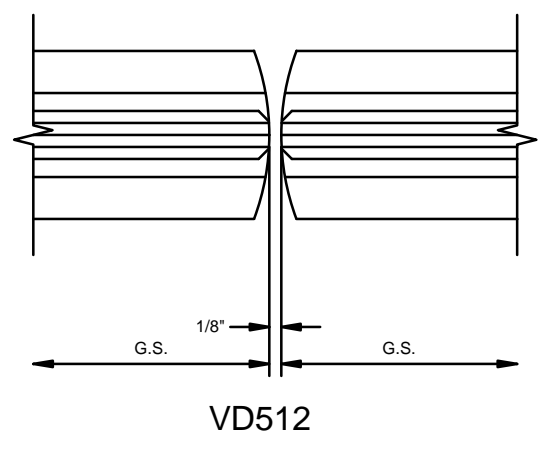
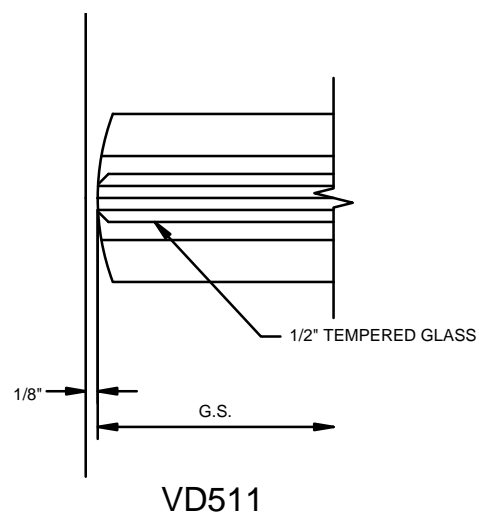
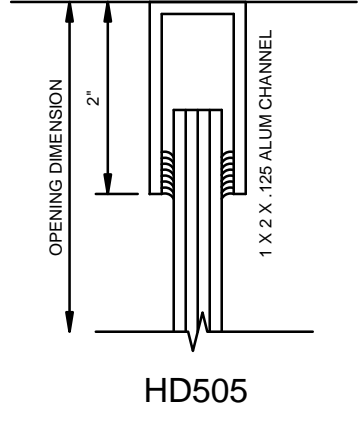
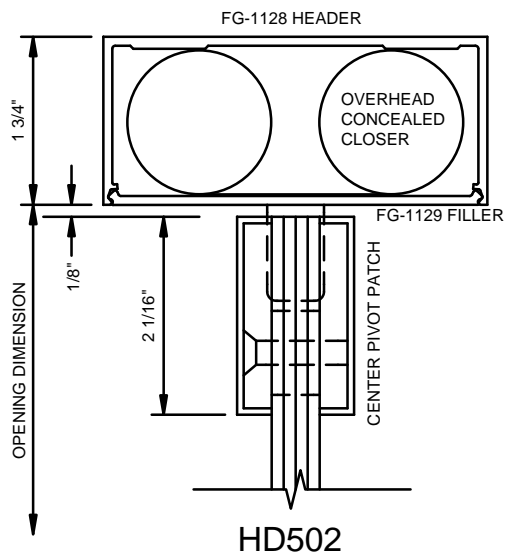


USE DETAILS AS REFERENCE ONLY. CONTACT YOUR LOCAL SALES REPRESENTATIVE FOR SPECIFIC PROJECT SUPPORT

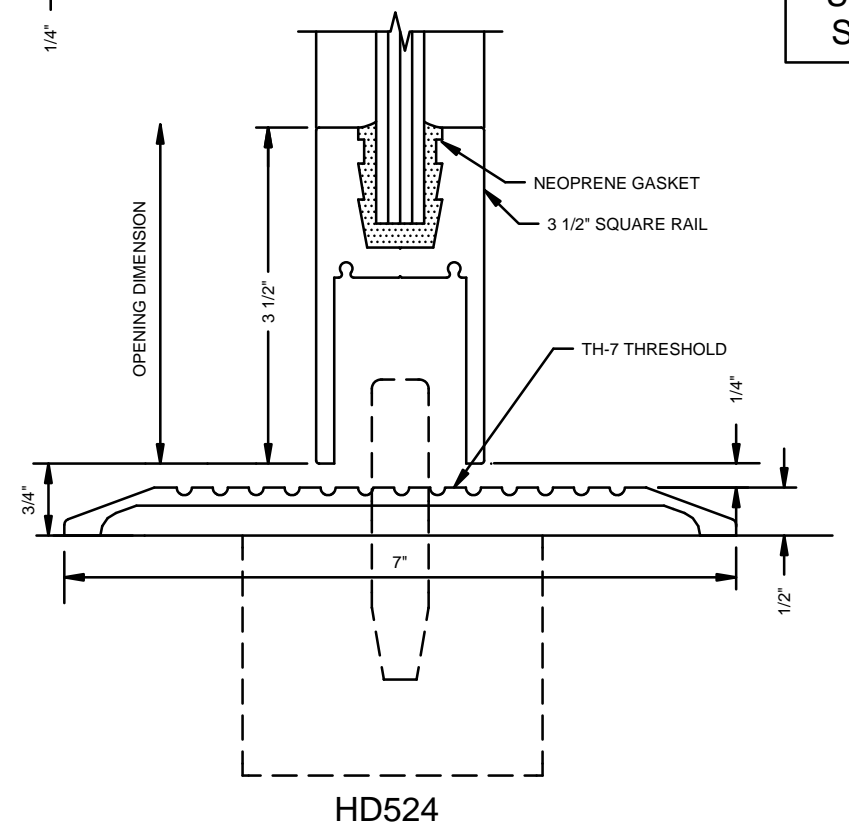
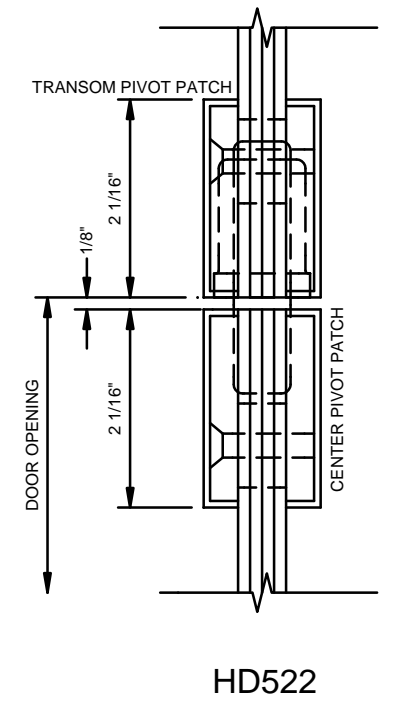
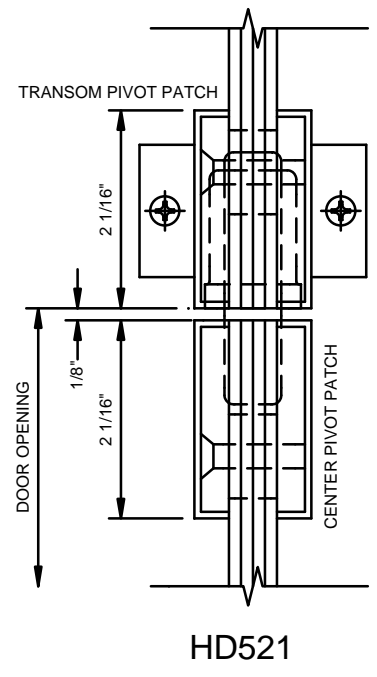


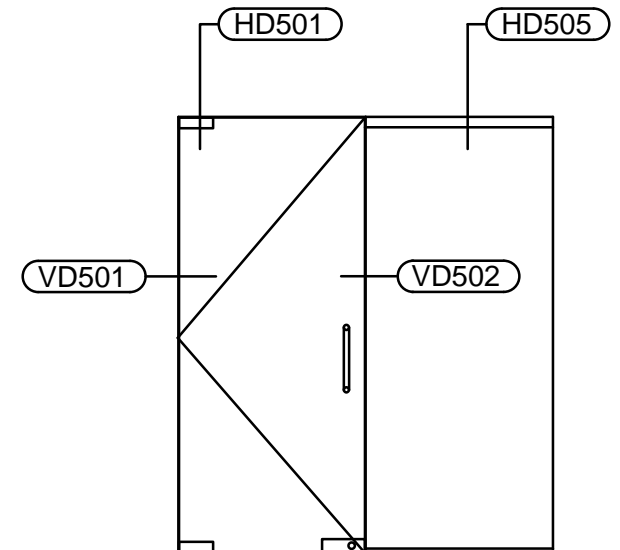
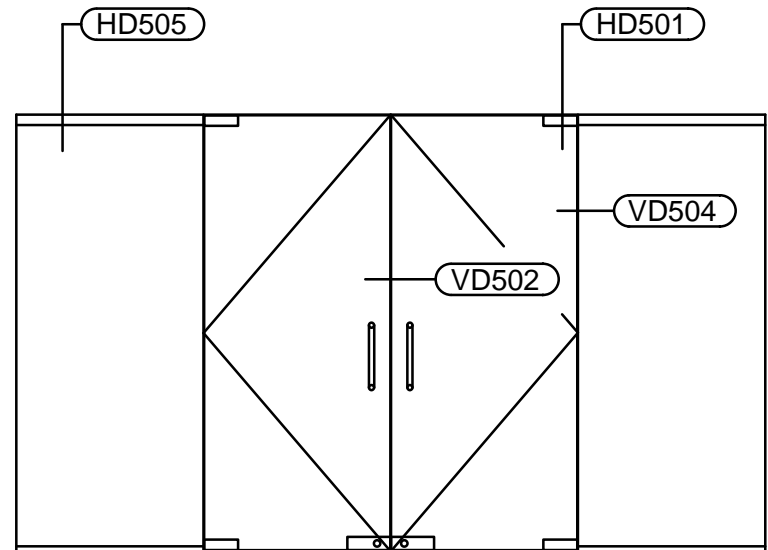
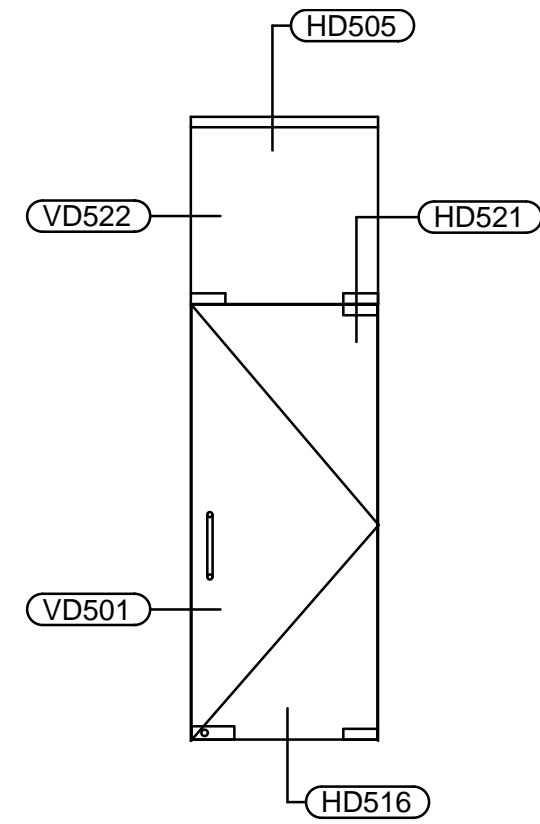
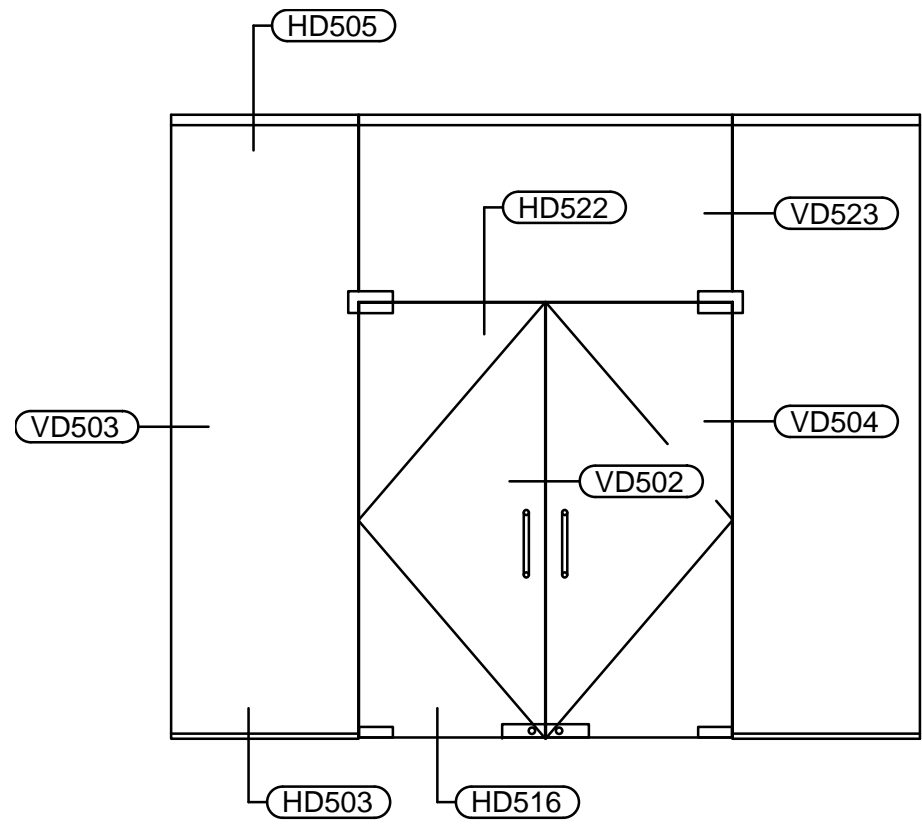
**MODEL NO. 51GSBP**  
GLASS SYSTEMS DOORS TYPE BP  
PATCH FITTINGS AT TOP & BOTTOM PIVOT POINTS  
BOTTOM RAIL LOCK  
CENTER LATCH LOCK OPTIONAL

USE ELEVATIONS AS REFERENCE ONLY. CONTACT YOUR LOCAL SALES REPRESENTATIVE FOR SPECIFIC PROJECT SUPPORT



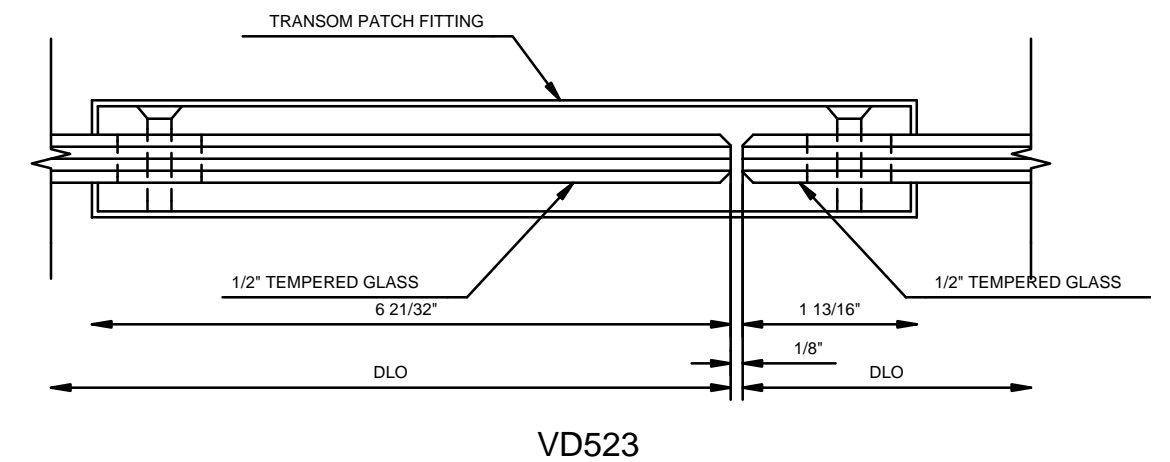
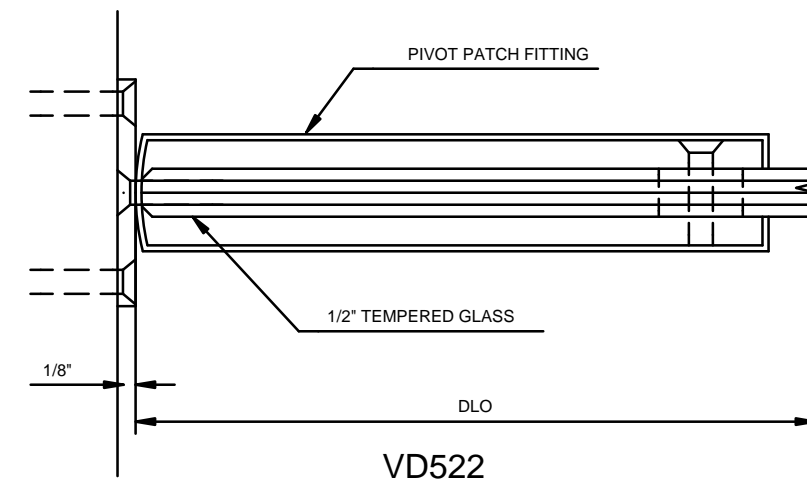
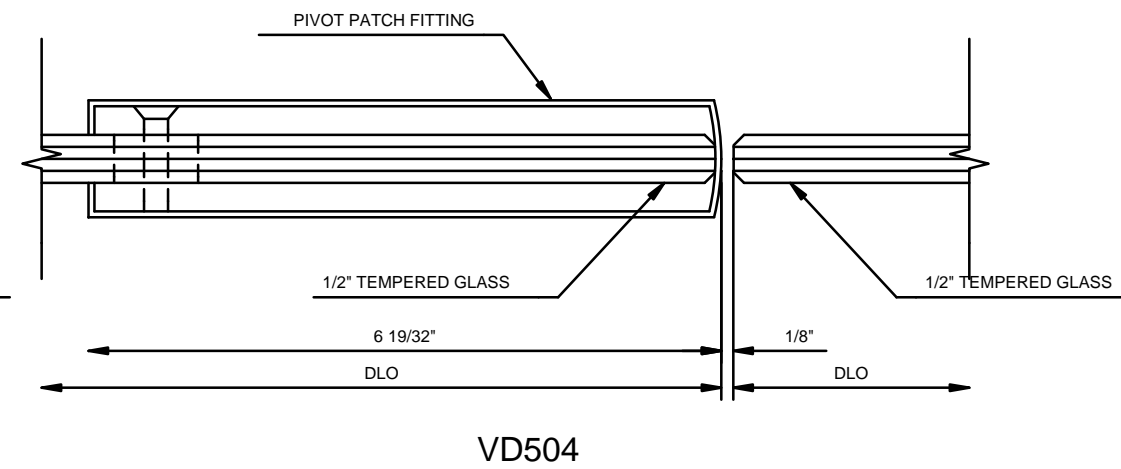
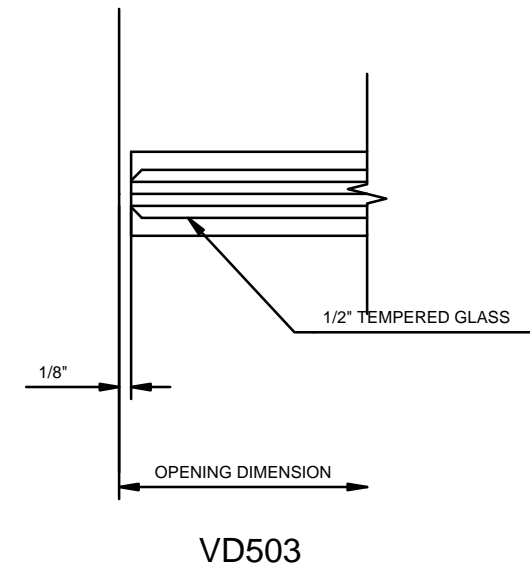
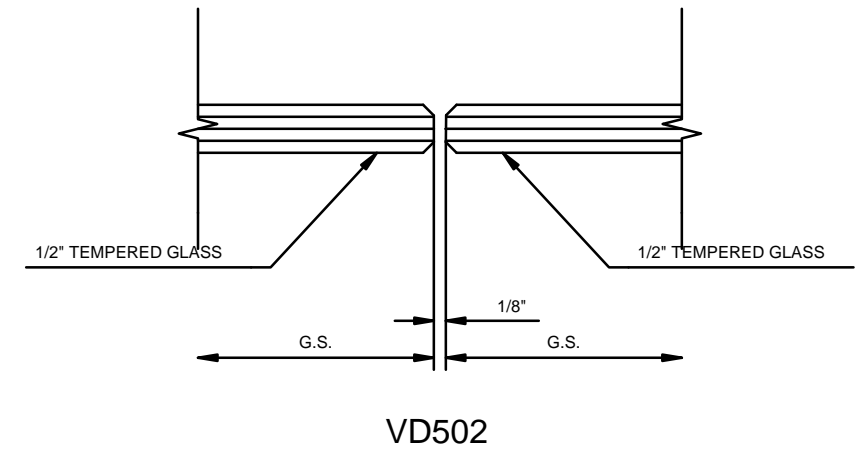
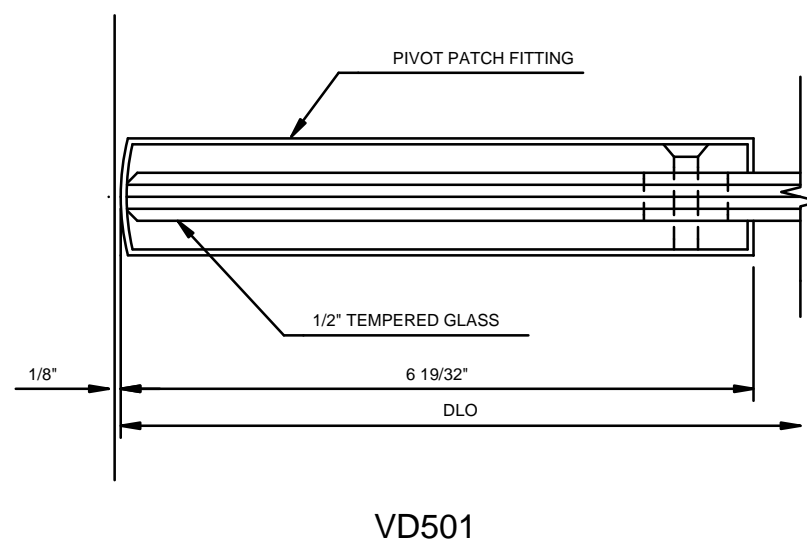
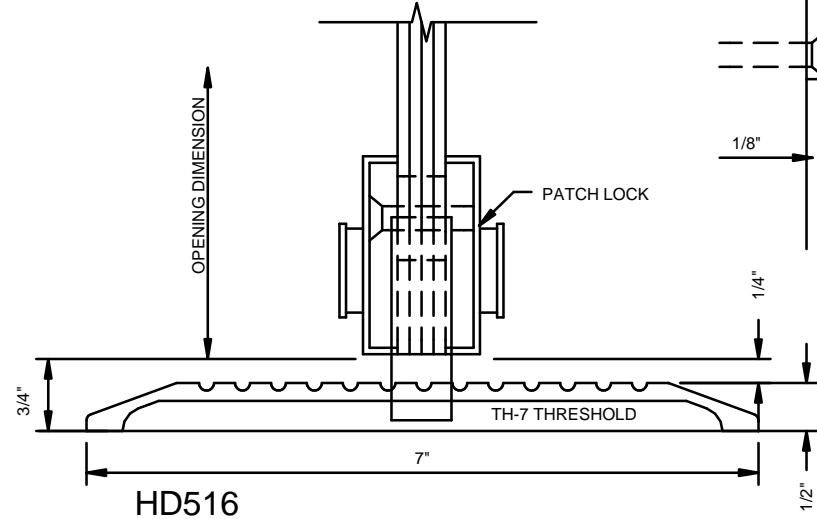
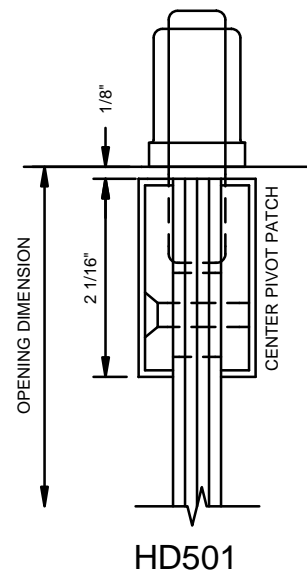
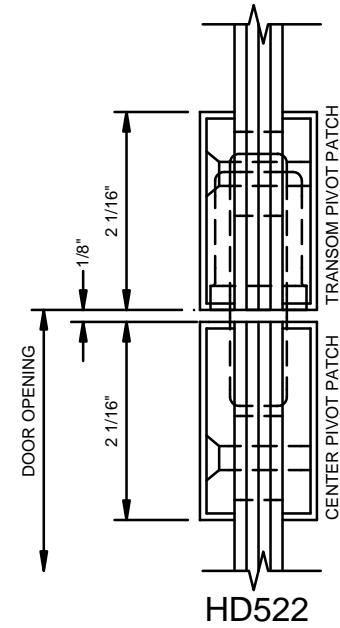
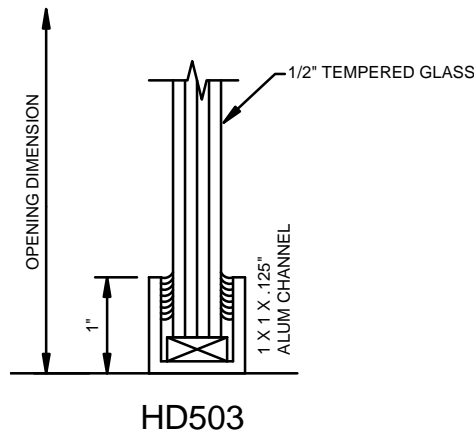
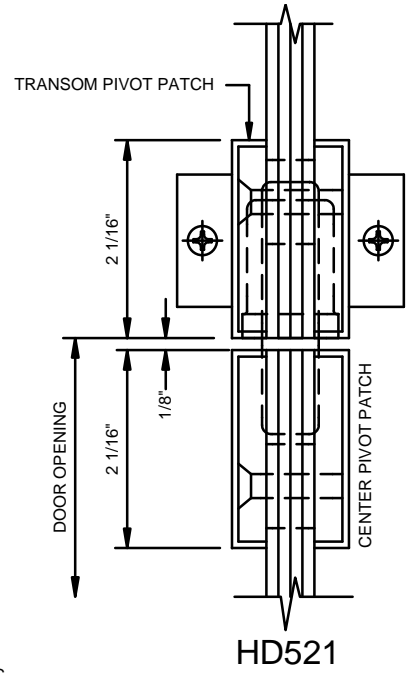
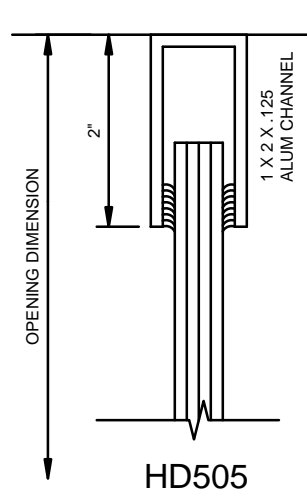
USE DETAILS AS REFERENCE ONLY. CONTACT YOUR LOCAL SALES REPRESENTATIVE FOR SPECIFIC PROJECT SUPPORT



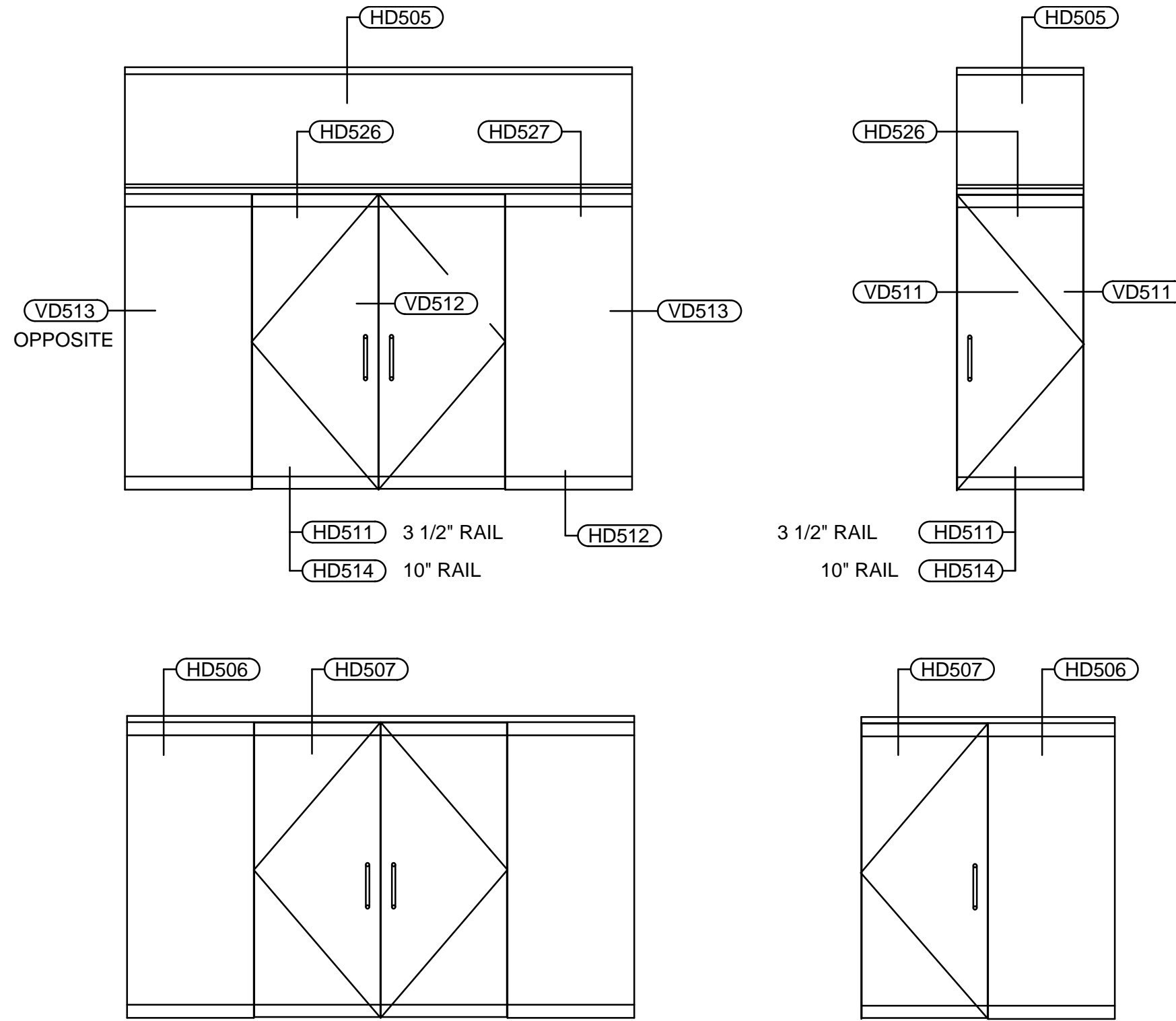


MODEL NO. 51GSF  
GLASS SYSTEMS DOORS TYPE F  
PATCH FITTINGS AT TOP & BOTTOM PIVOT POINTS  
BOTTOM LOCK LOCATION-BOTTOM PATCH LOCK  
CENTER LATCH LOCK OPTIONAL

USE ELEVATIONS AS REFERENCE ONLY. CONTACT YOUR LOCAL SALES REPRESENTATIVE FOR SPECIFIC PROJECT SUPPORT

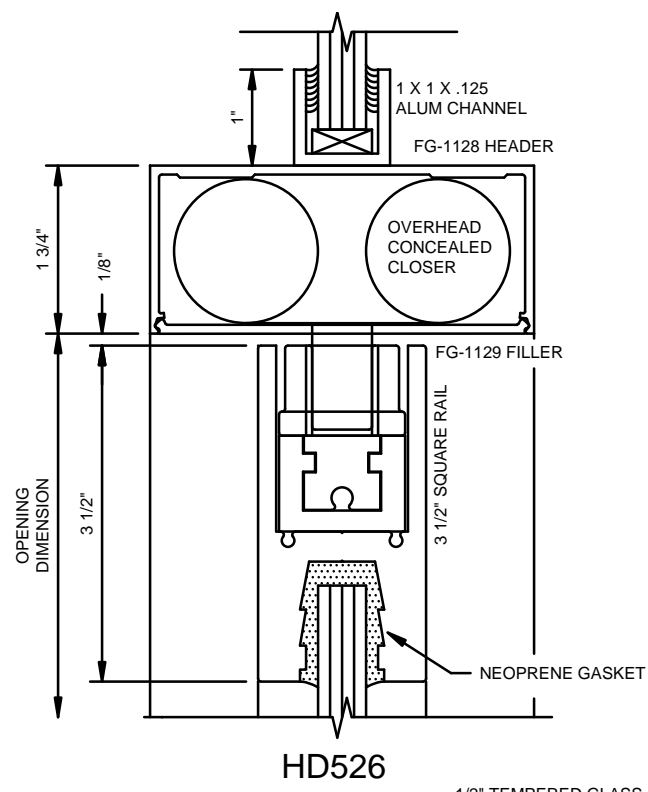


USE DETAILS AS REFERENCE ONLY. CONTACT YOUR LOCAL SALES REPRESENTATIVE FOR SPECIFIC PROJECT SUPPORT

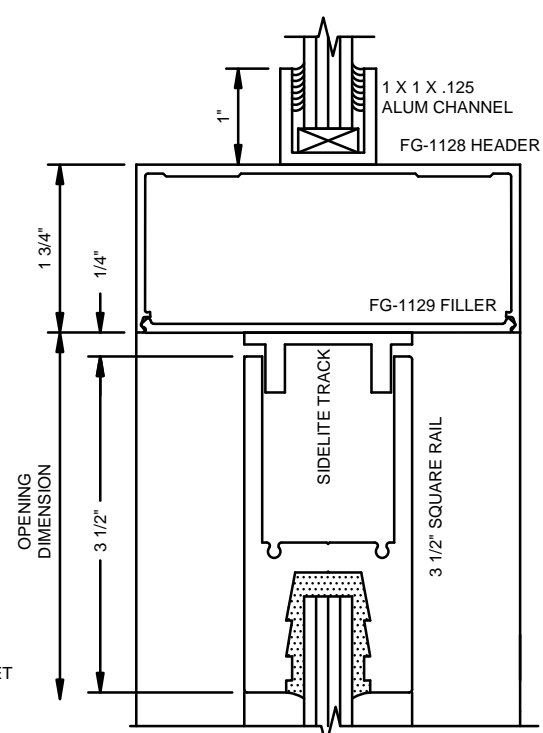


MODEL NO. 51GSP  
GLASS SYSTEMS DOORS TYPE P  
FULL RAILS AT TOP AND BOTTOM-BOTTOM RAIL LOCK  
CENTER LATCH LOCK OPTIONAL

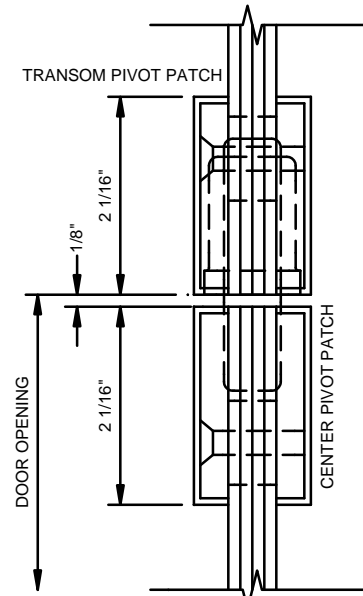
USE ELEVATIONS AS REFERENCE ONLY. CONTACT YOUR LOCAL  
 SALES REPRESENTATIVE FOR SPECIFIC PROJECT SUPPORT



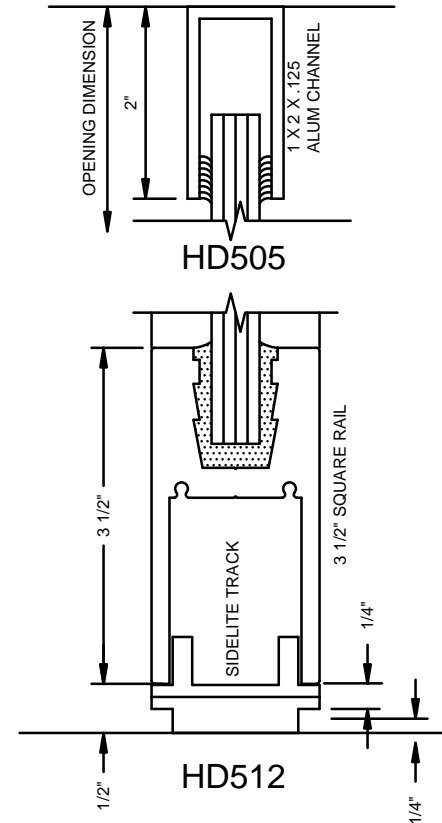
HD526



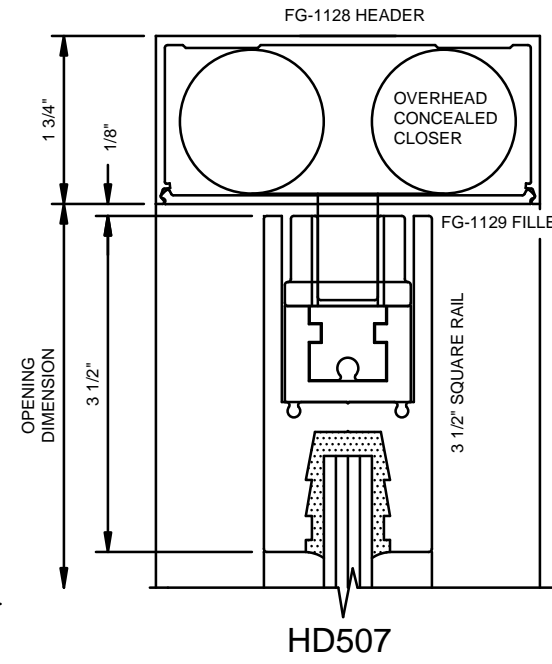
HD527



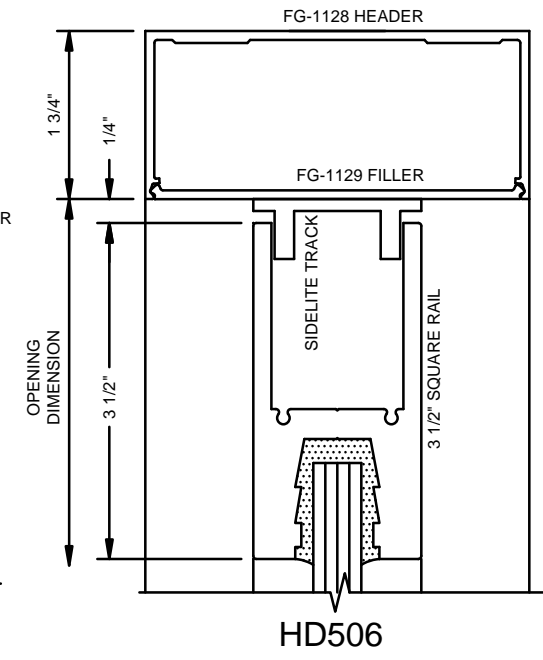
HD522



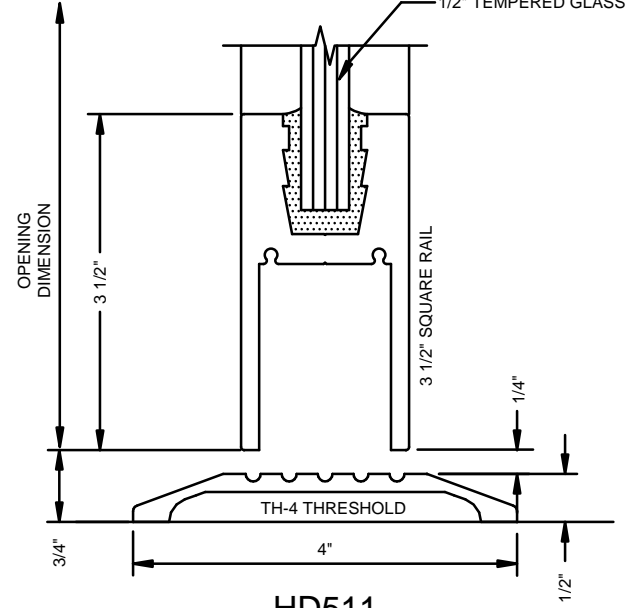
HD512



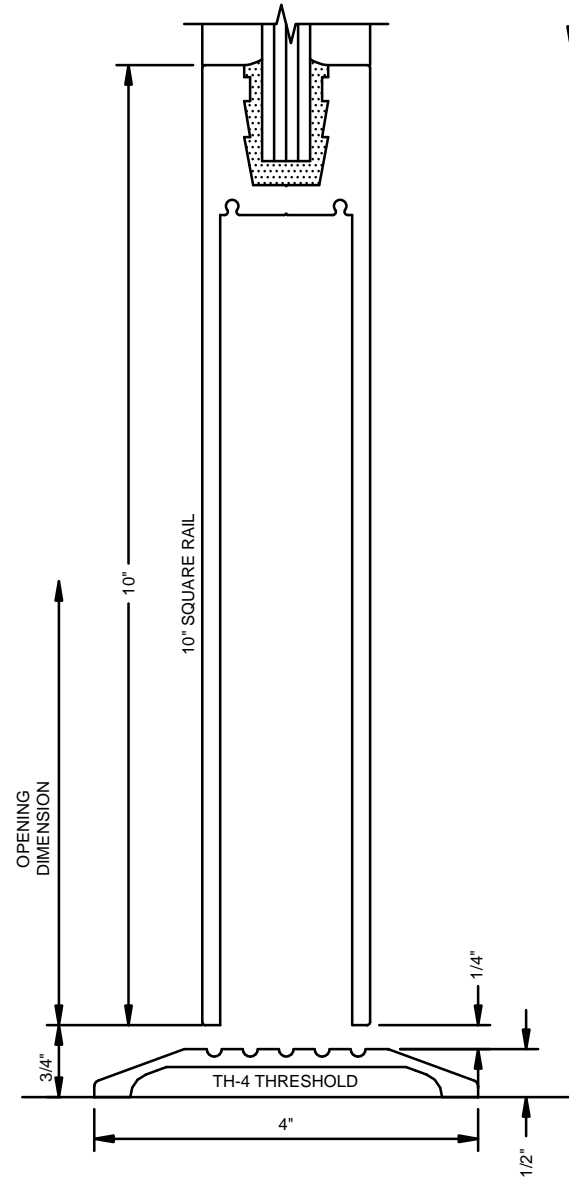
HD507



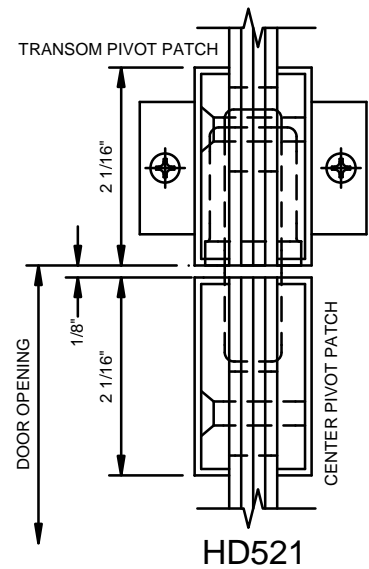
HD506



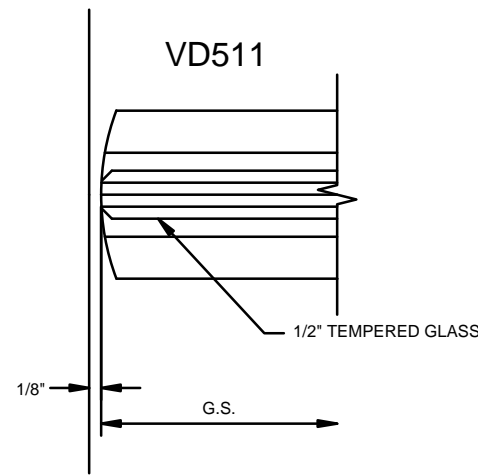
HD511



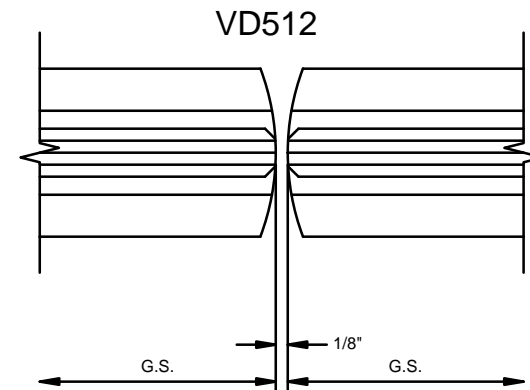
HD514



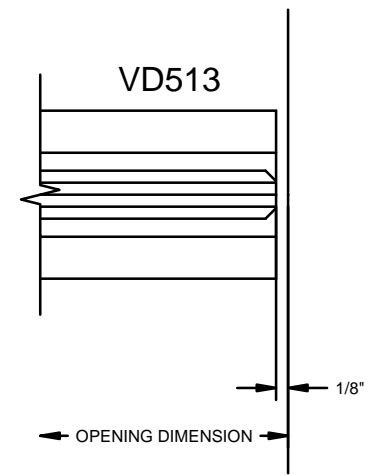
HD521



VD511



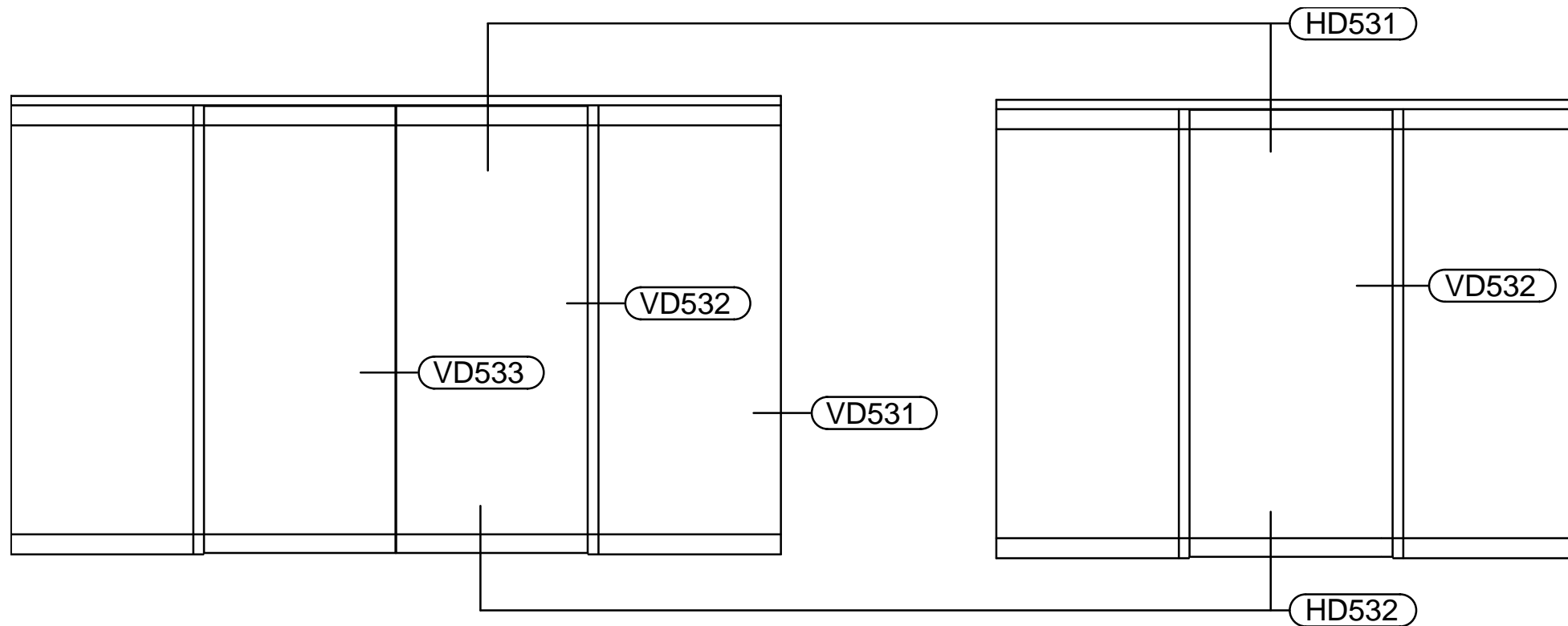
VD512



VD513

USE DETAILS AS REFERENCE ONLY. CONTACT YOUR LOCAL SALES REPRESENTATIVE FOR SPECIFIC PROJECT SUPPORT





**MODEL NO. 53POXXO**

**GLASS SYSTEMS DOORS TYPE PS OXXO**

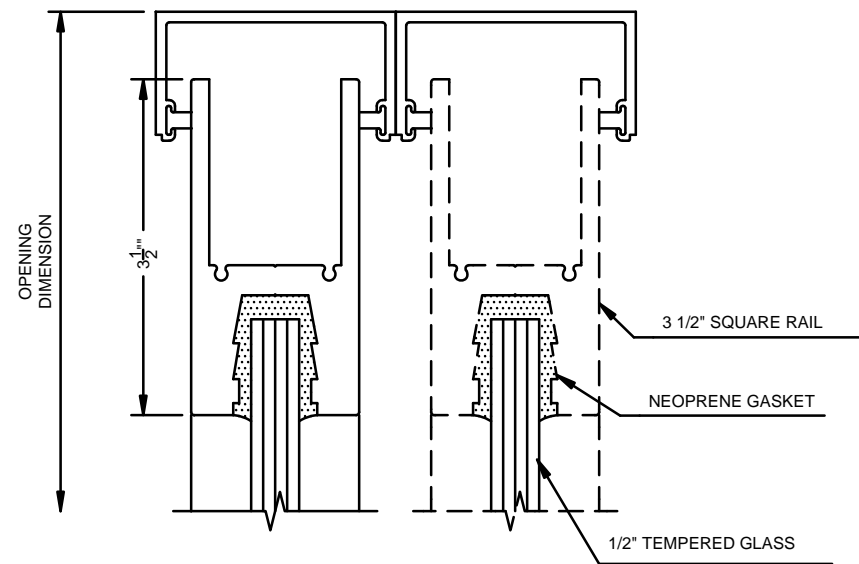
BI-PARTING SLIDERS

**MODEL NO. 53POXO**

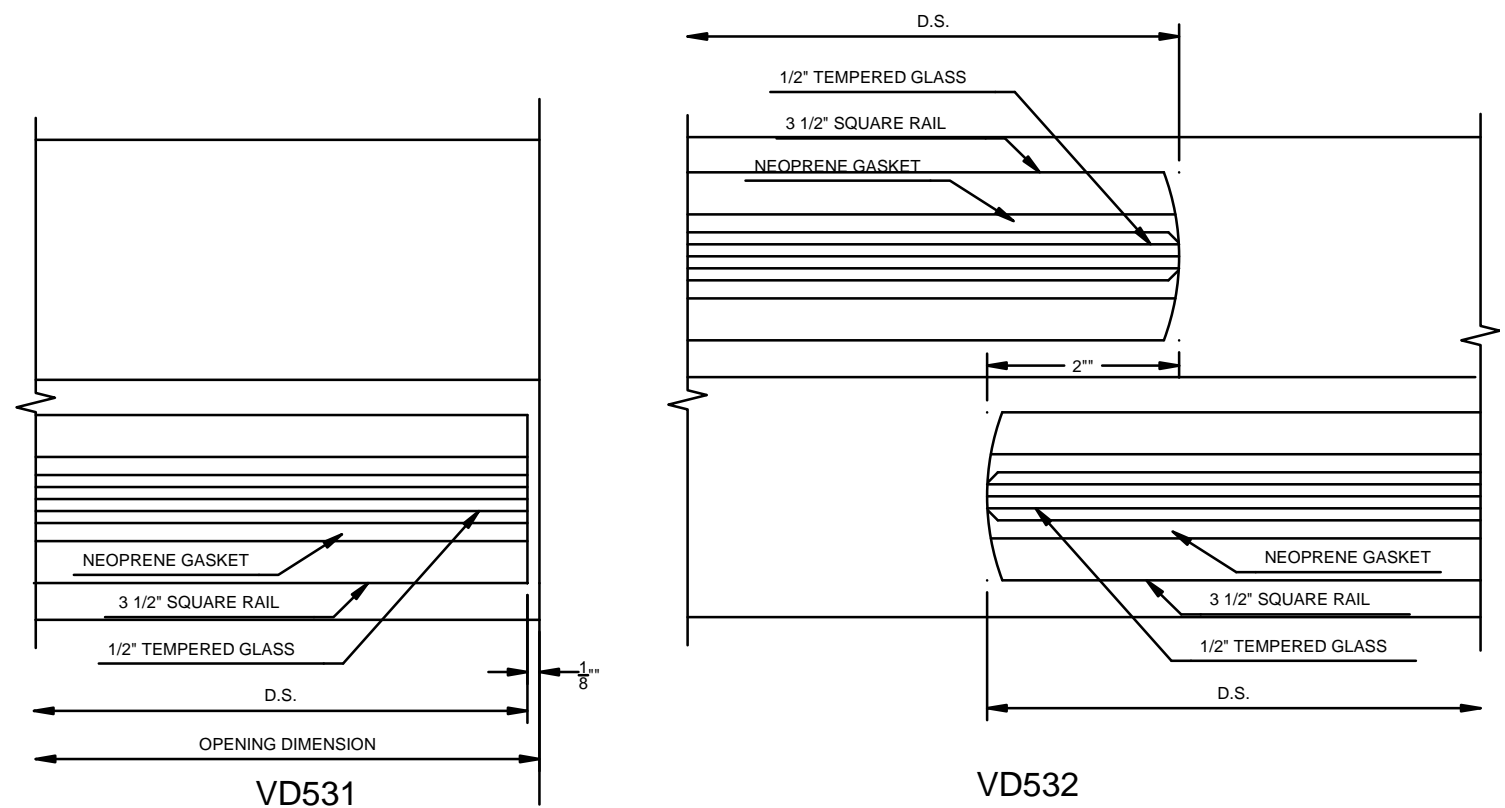
**GLASS SYSTEMS DOORS TYPE PS OXO**

BI-PARTING SLIDERS

**USE ELEVATIONS AS REFERENCE ONLY. CONTACT YOUR LOCAL SALES REPRESENTATIVE FOR SPECIFIC PROJECT SUPPORT**

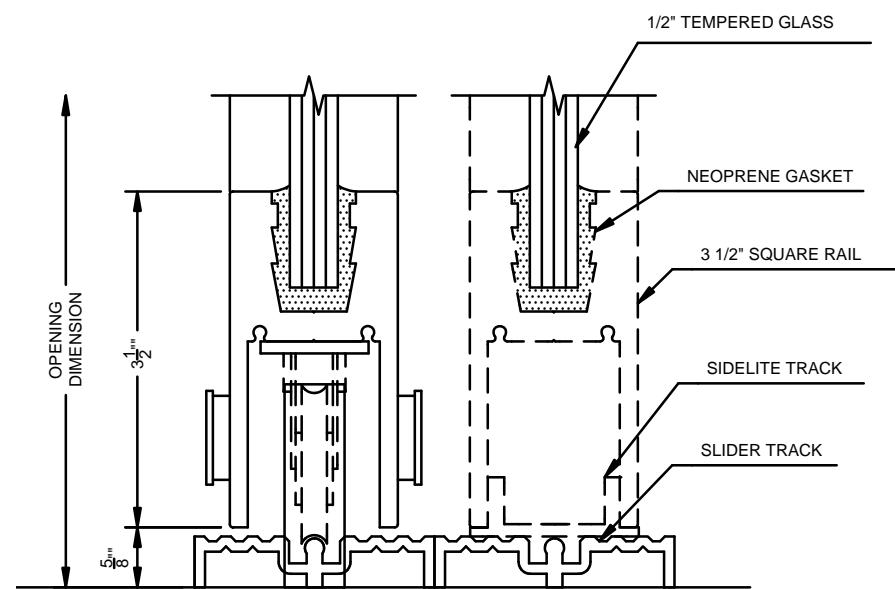


HD531

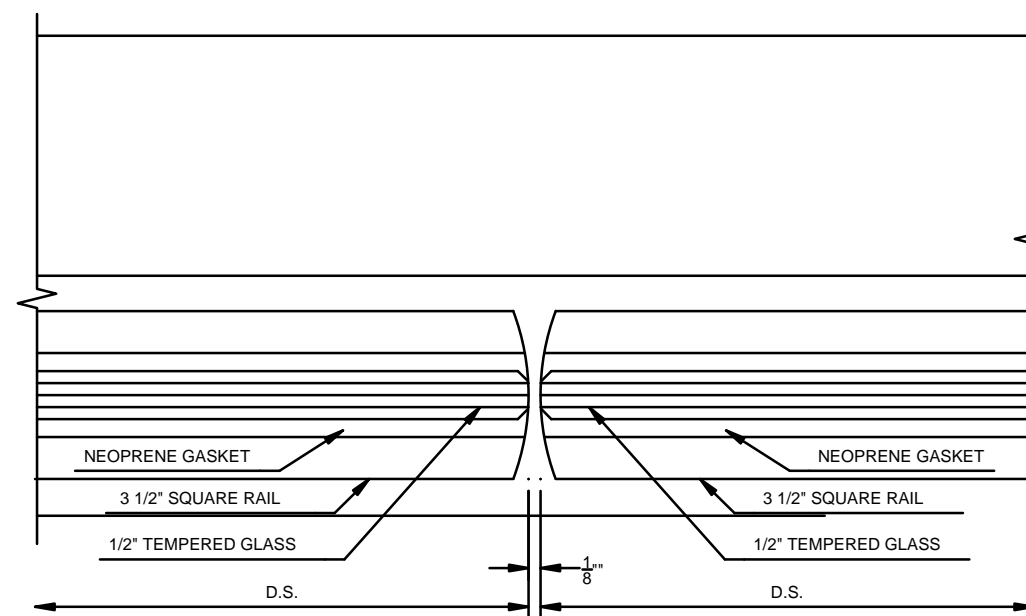


VD531

VD532

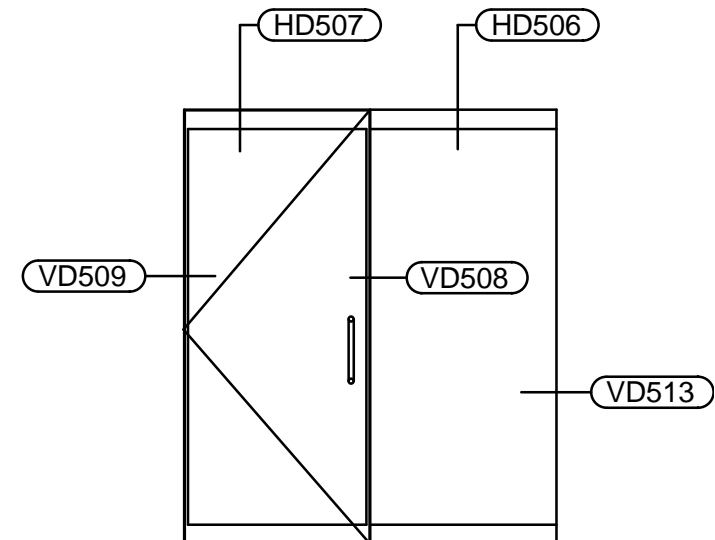
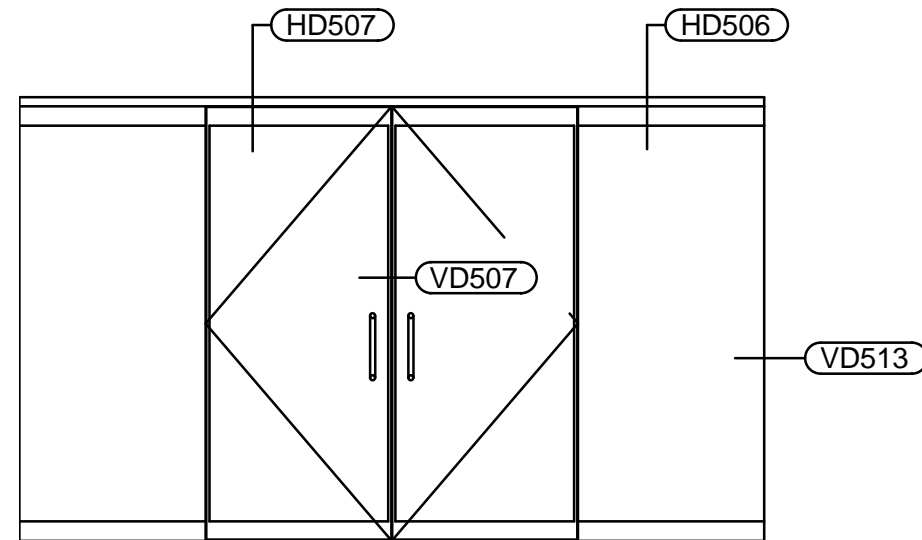
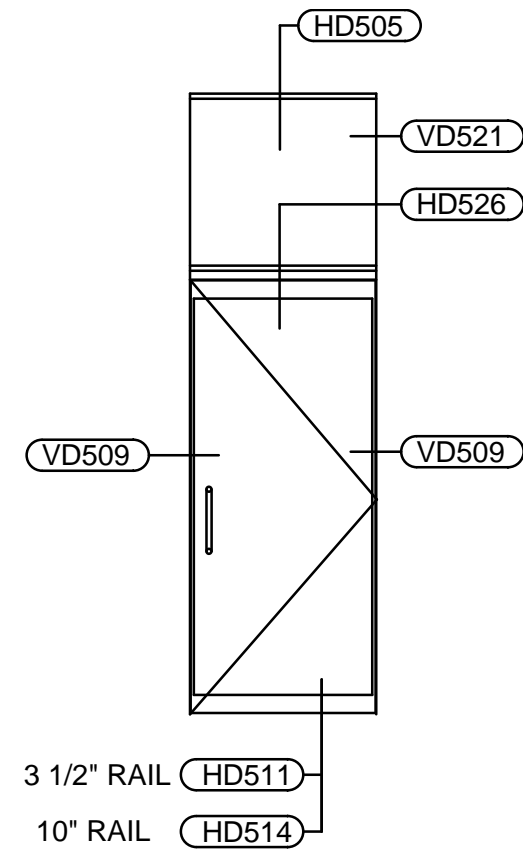
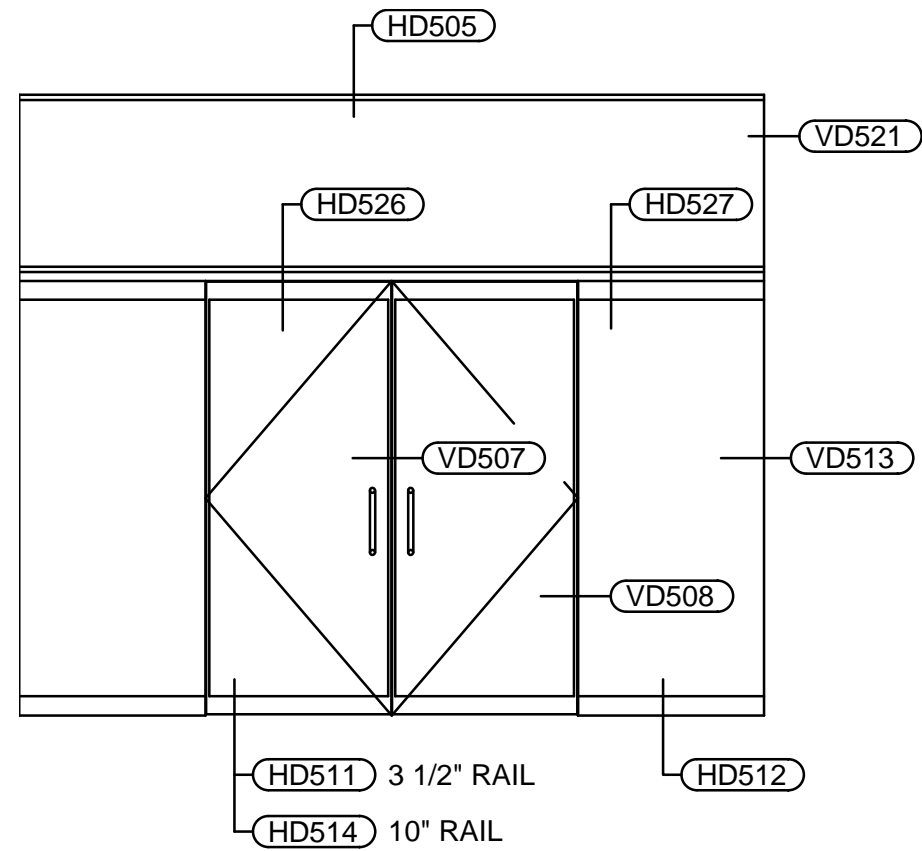


HD532



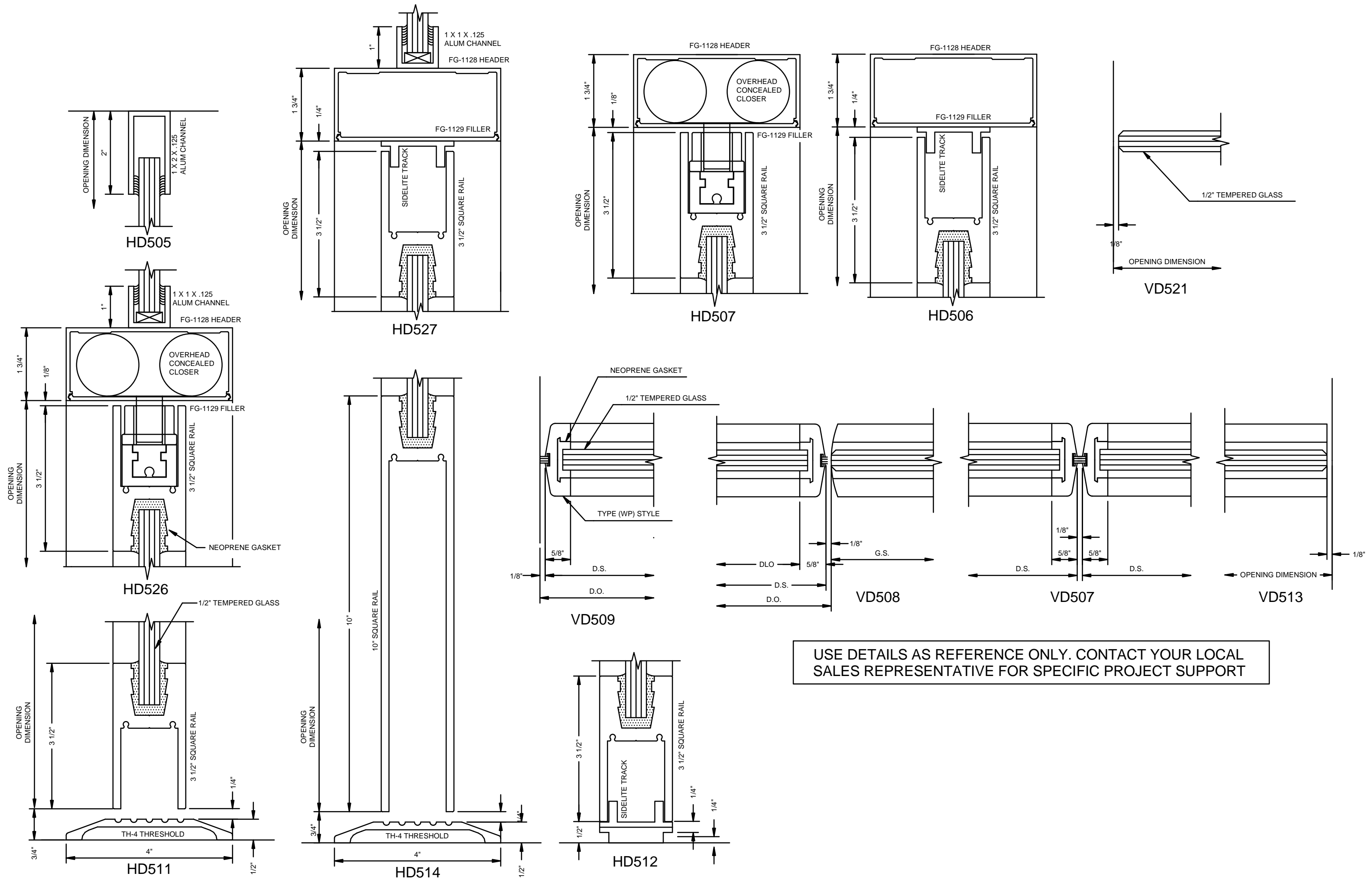
VD533

USE DETAILS AS REFERENCE ONLY. CONTACT YOUR LOCAL SALES REPRESENTATIVE FOR SPECIFIC PROJECT SUPPORT



MODEL NO. 51GSWP  
GLASS SYSTEMS DOORS TYPE WP  
FULL RAILS AT TOP AND BOTTOM - 5/8" STILES  
BOTTOM RAIL LOCK  
CENTER LATCH LOCK OPTIONAL

USE ELEVATIONS AS REFERENCE ONLY. CONTACT YOUR LOCAL  
 SALES REPRESENTATIVE FOR SPECIFIC PROJECT SUPPORT



USE DETAILS AS REFERENCE ONLY. CONTACT YOUR LOCAL SALES REPRESENTATIVE FOR SPECIFIC PROJECT SUPPORT