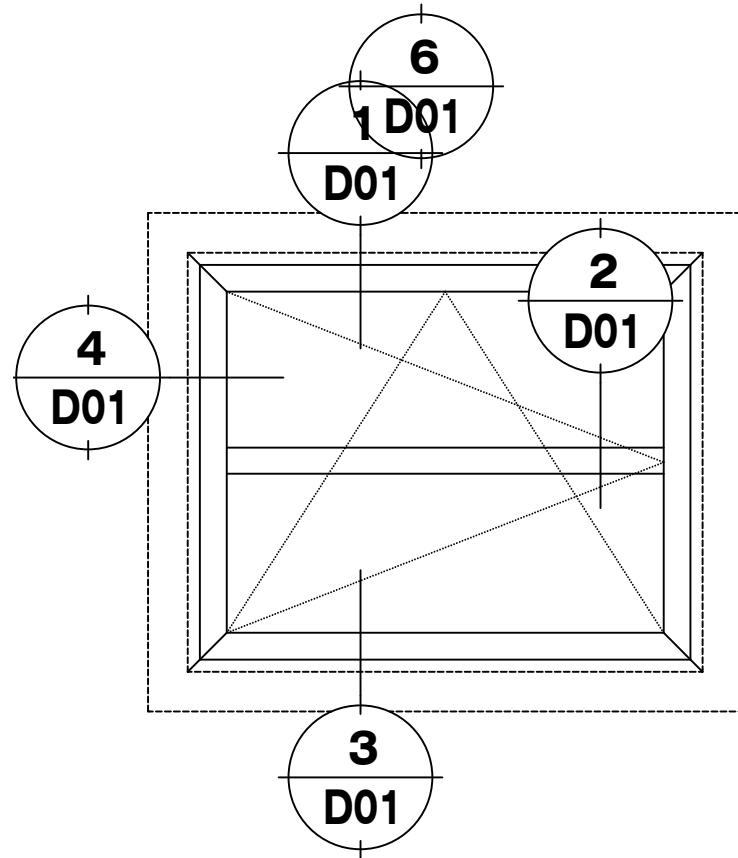


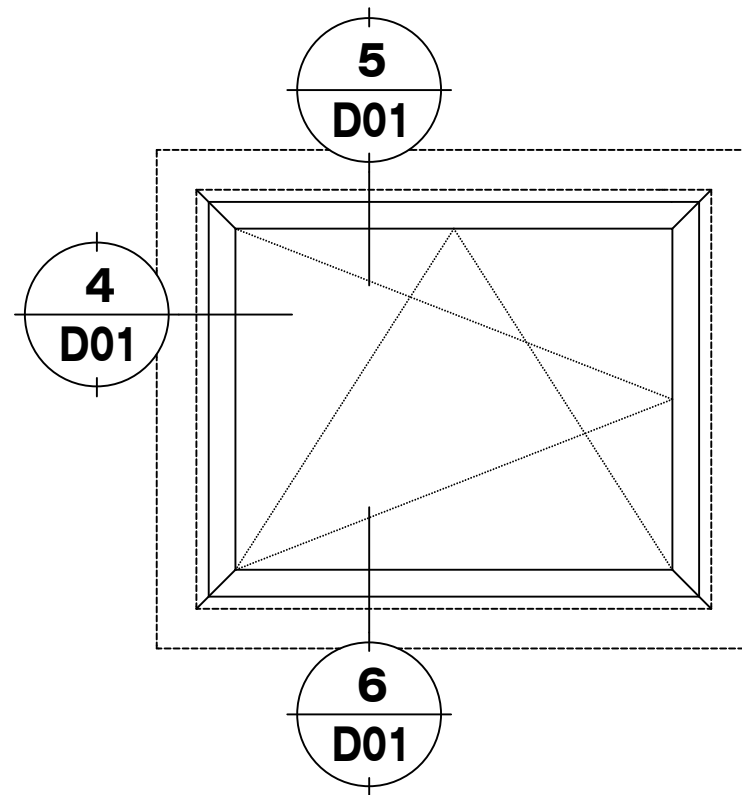
2020 Series

PROJECT OUT SSG VENT

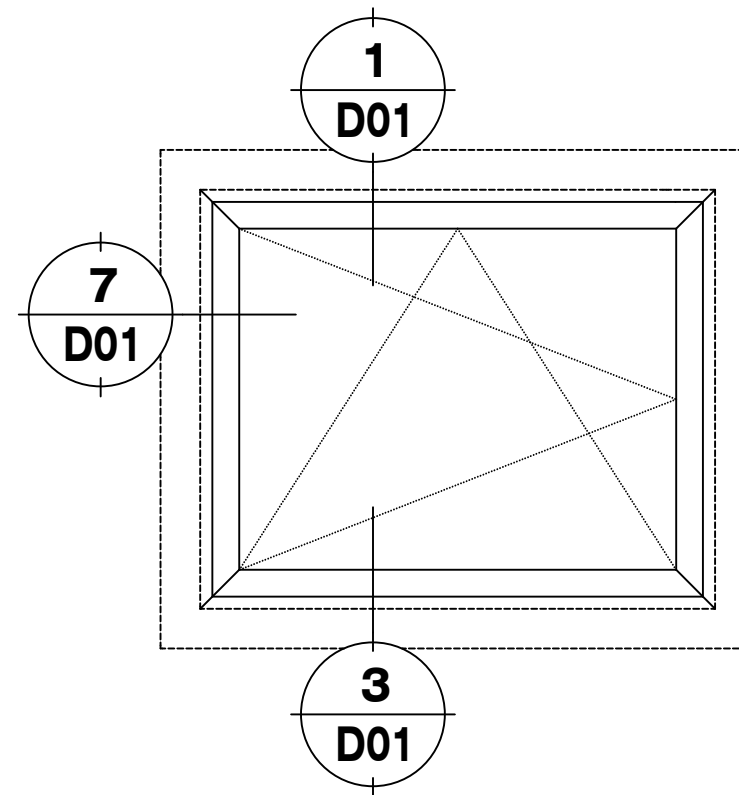
AAMA / WDMA / AP-AW50



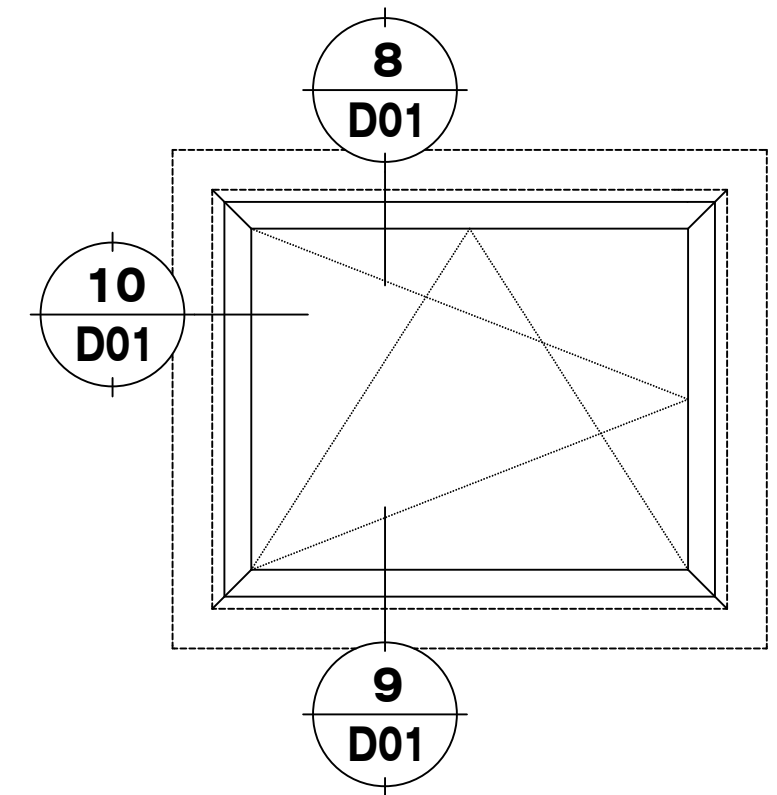
SSG Awning or Casement
INTO 4-SIDED CAPPED
CURTAINWALL



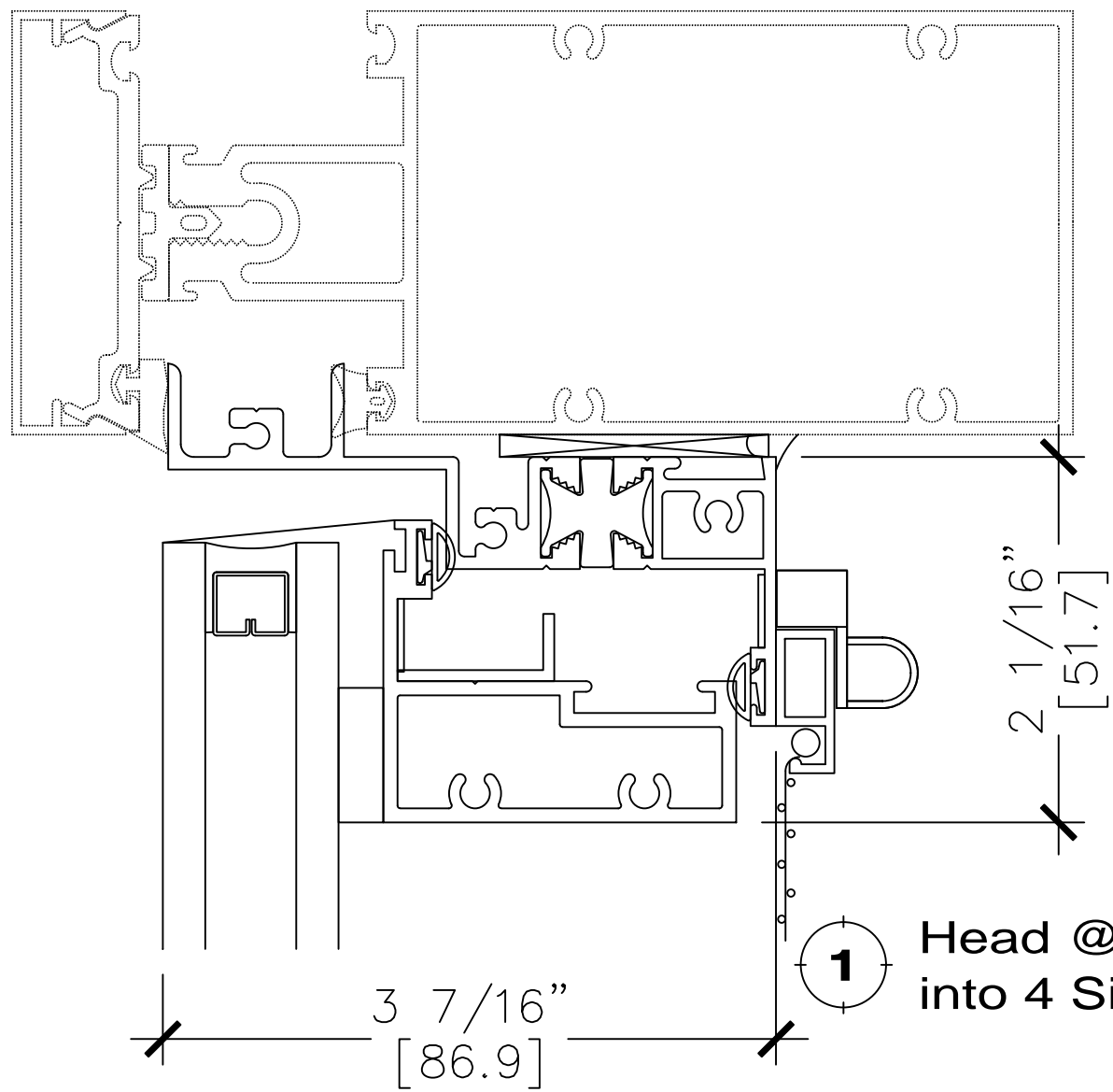
SSG Awning or Casement
INTO 2-SIDED HORIZ.
SSG CURTAINWALL



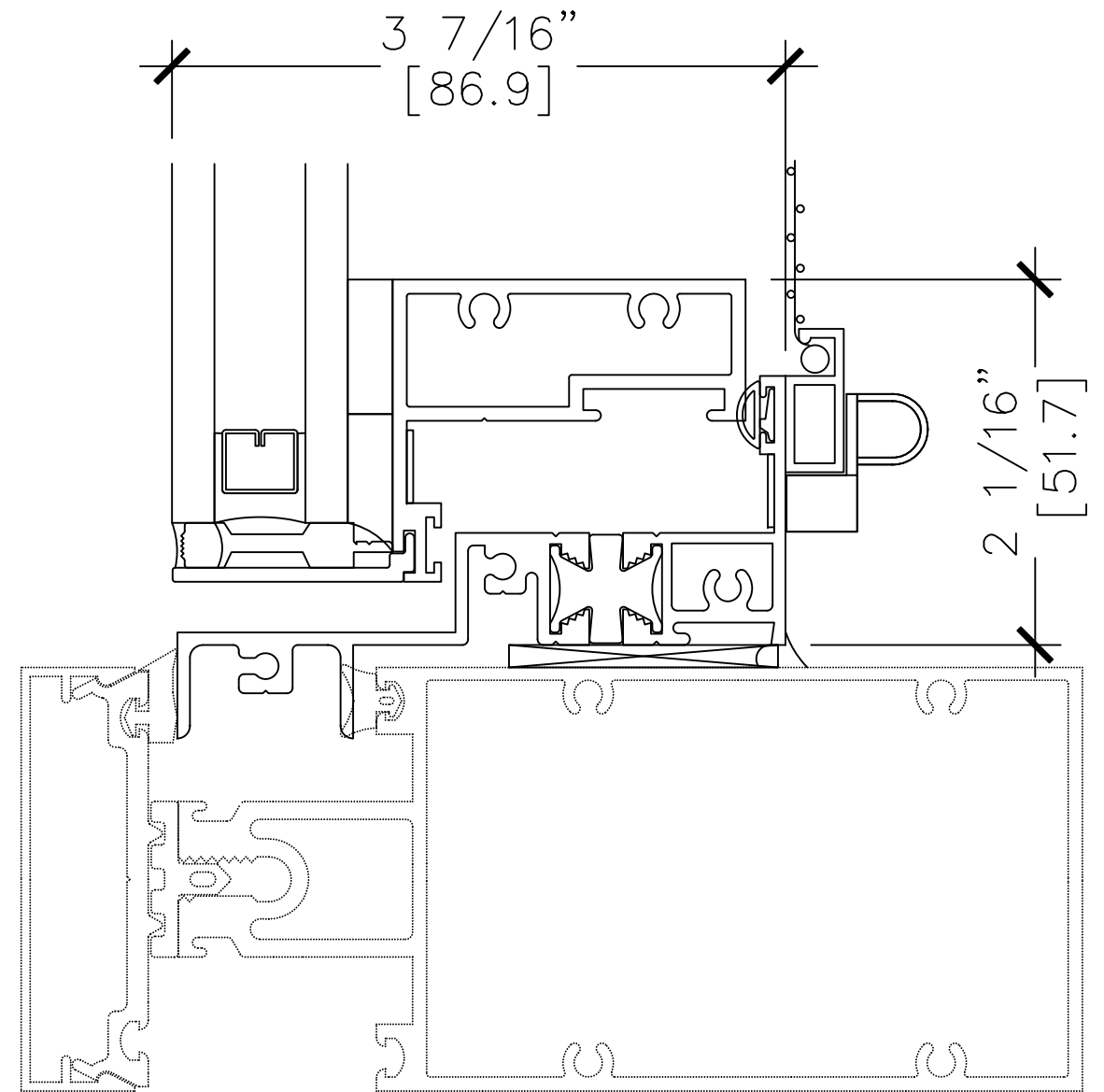
SSG Awning or Casement
INTO 2-SIDED VERTICAL
SSG CURTAINWALL



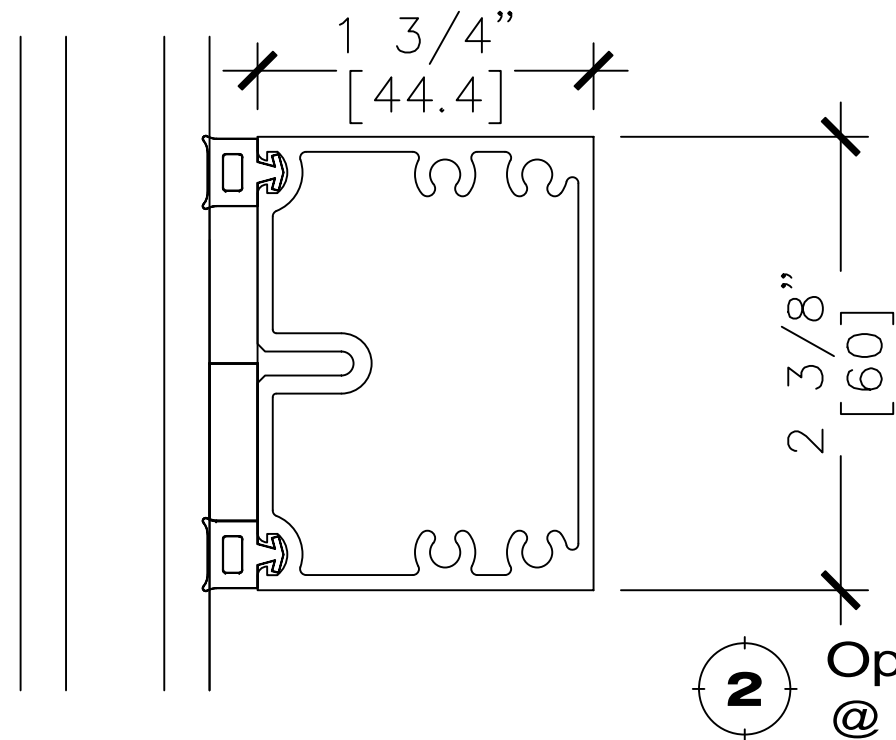
SSG Awning or Casement
INTO FIXED WINDOW FRAMING



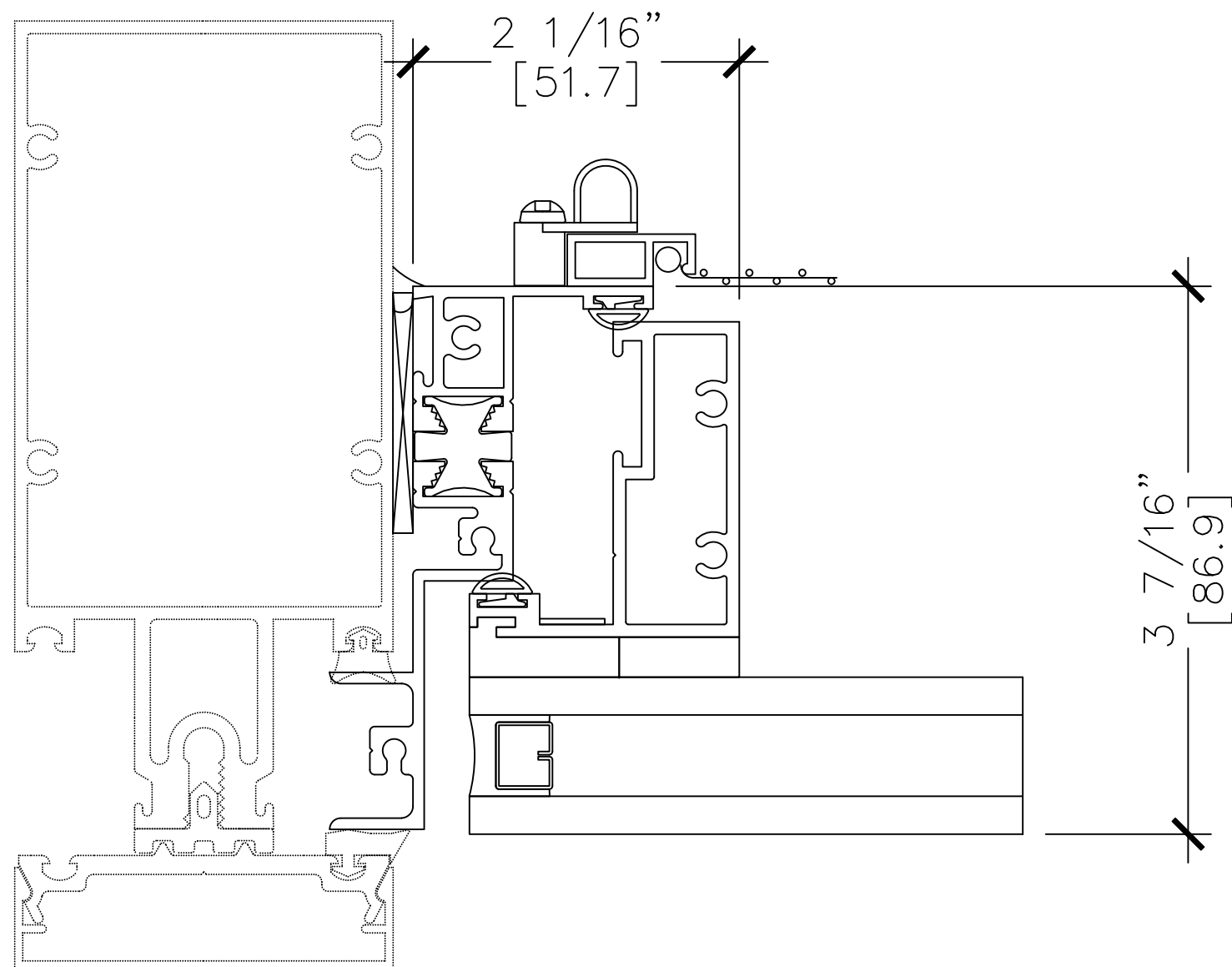
1 Head @ SSG Vent Insert into 4 Sided Capped Curtainwall



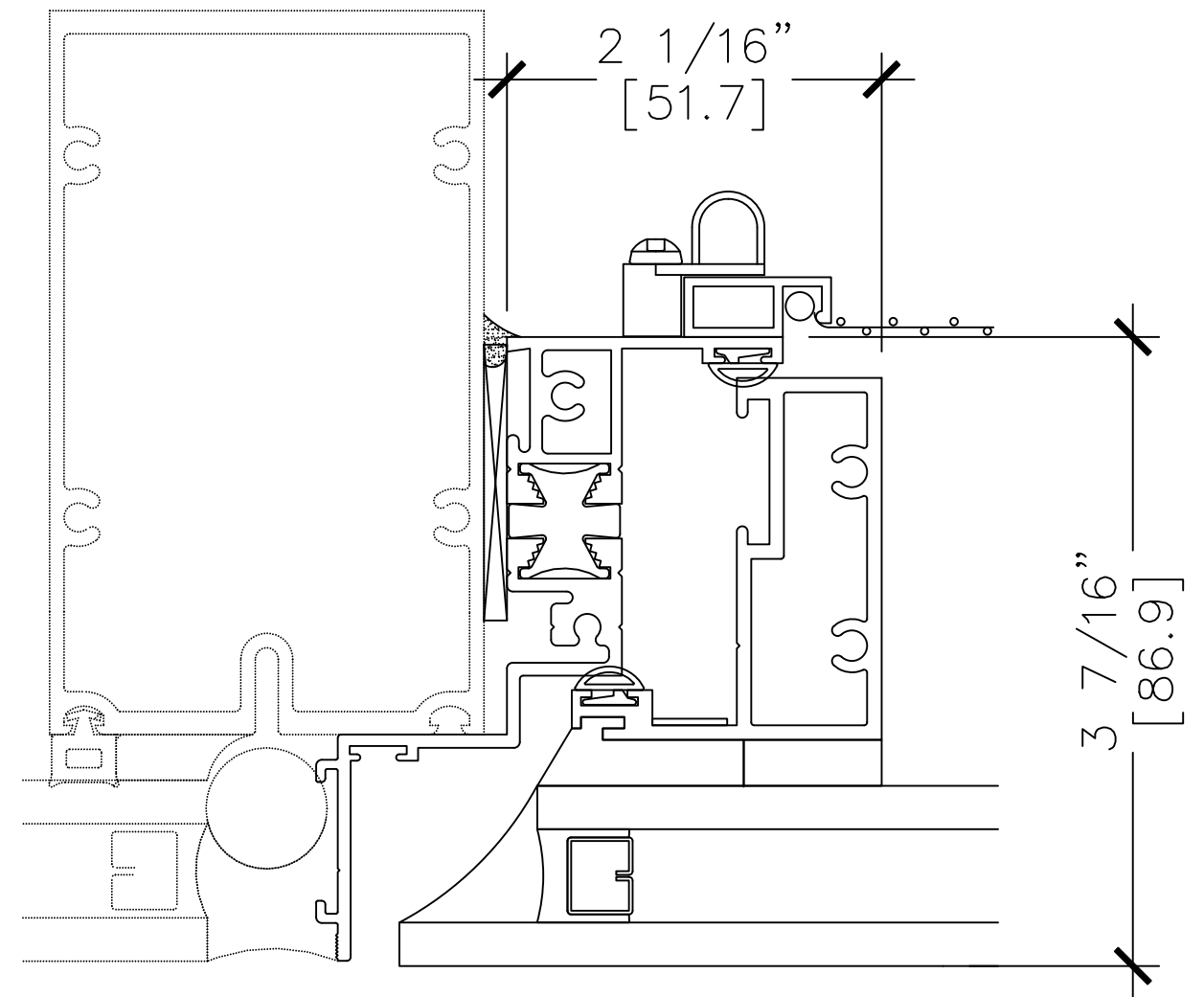
3 Sill @ SSG Vent Insert into 4 Sided Capped Curtainwall



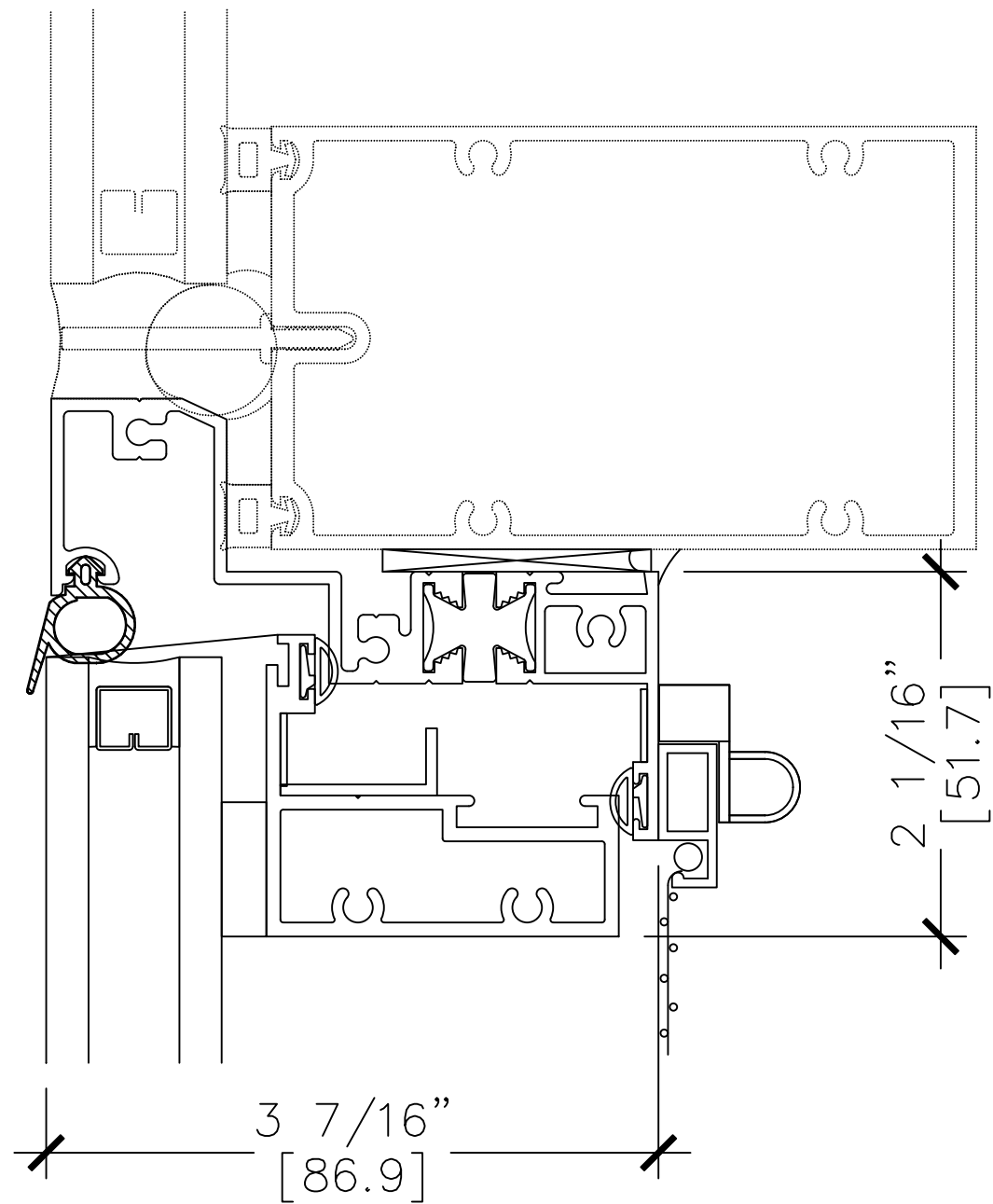
2 Optional Intermediate Mullion @ SSG Vent



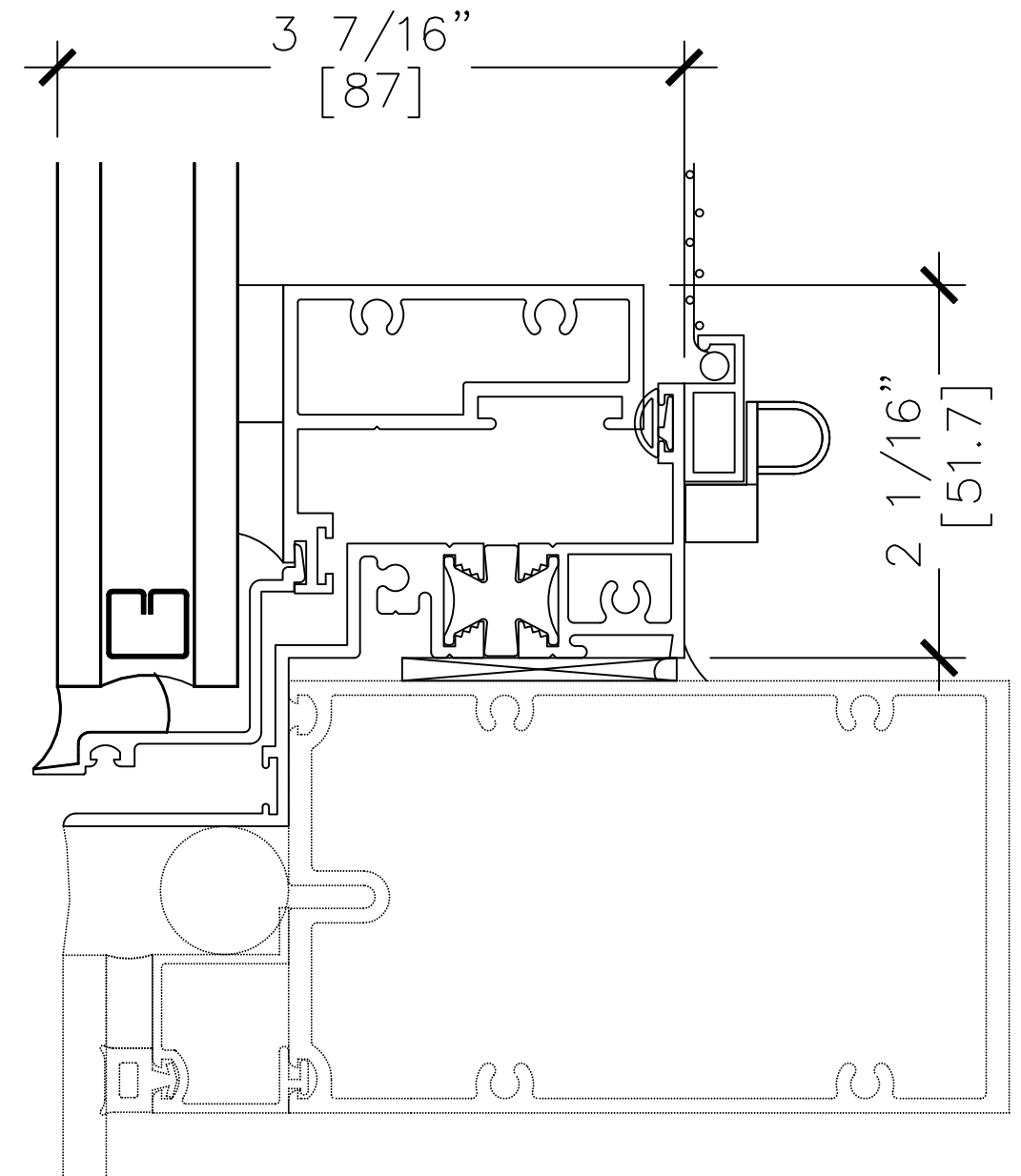
4 Jamb @ SSG Vent Insert
into 4 Sided Capped Curtainwall



7 Jamb @ SSG Awning Vent Insert
into 2 Sided Vertical SSG Curtainwall
[Jamb 'Handle-Side' @ SSG Casement Vent Insert]

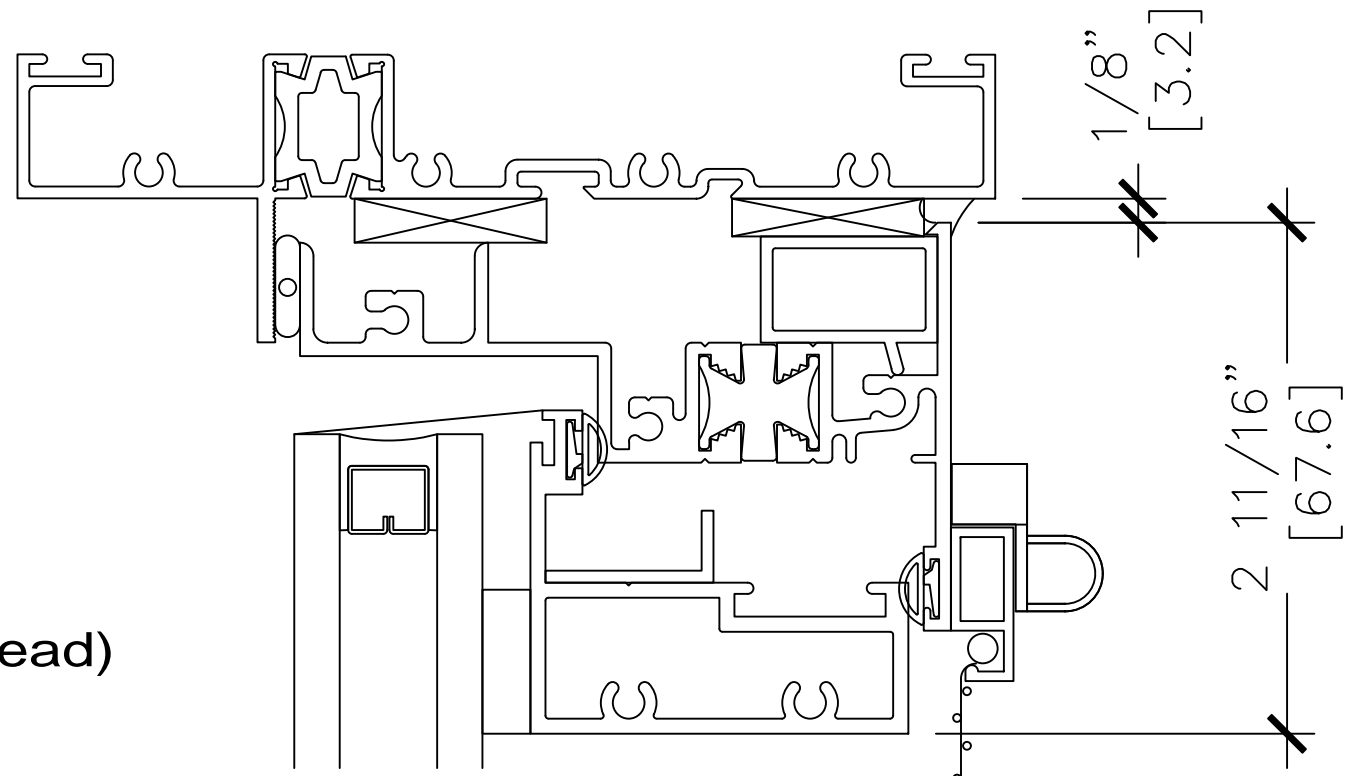


5 Head @ SSG Awning Vent Insert into 2 Sided Horiz. SSG Curtainwall

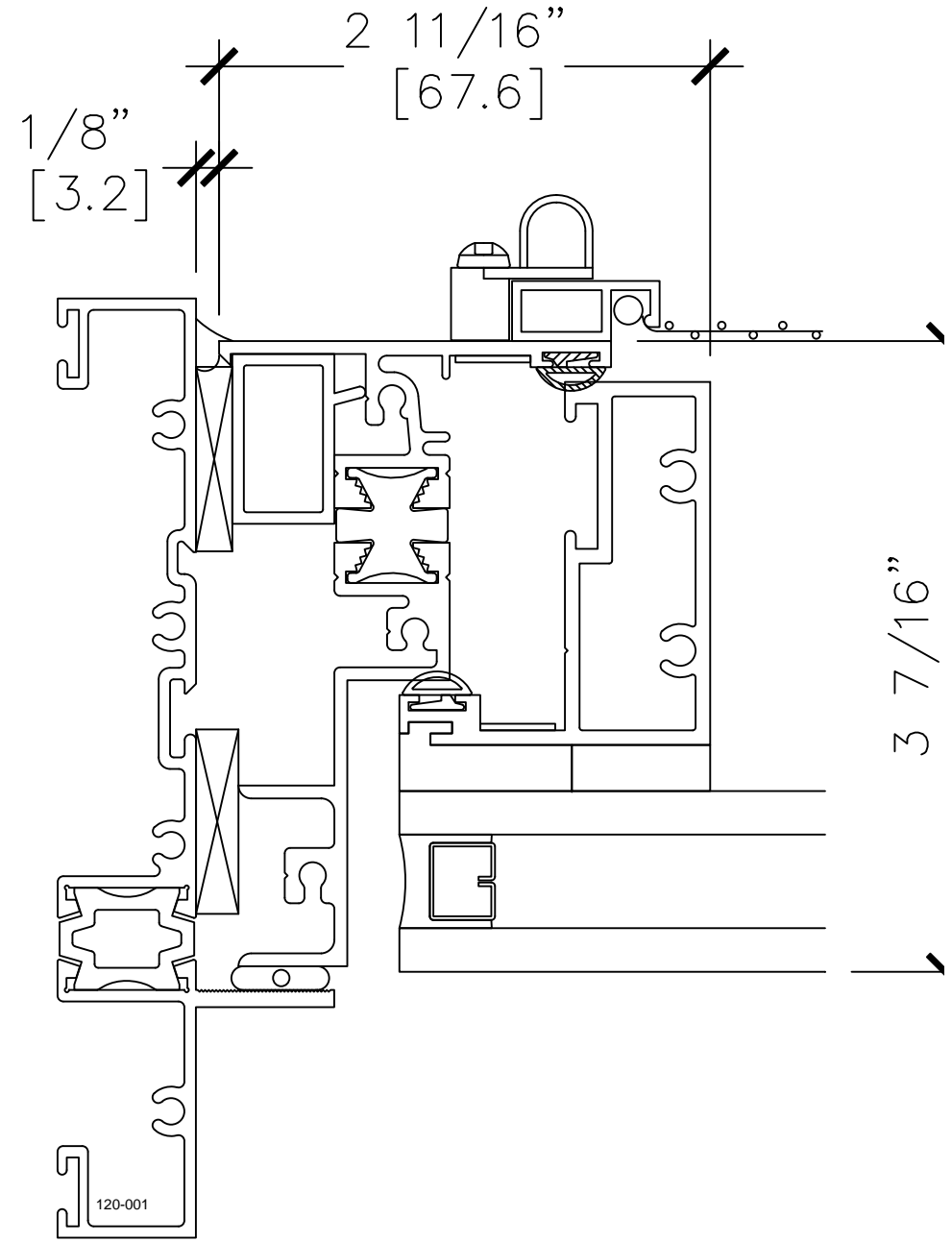
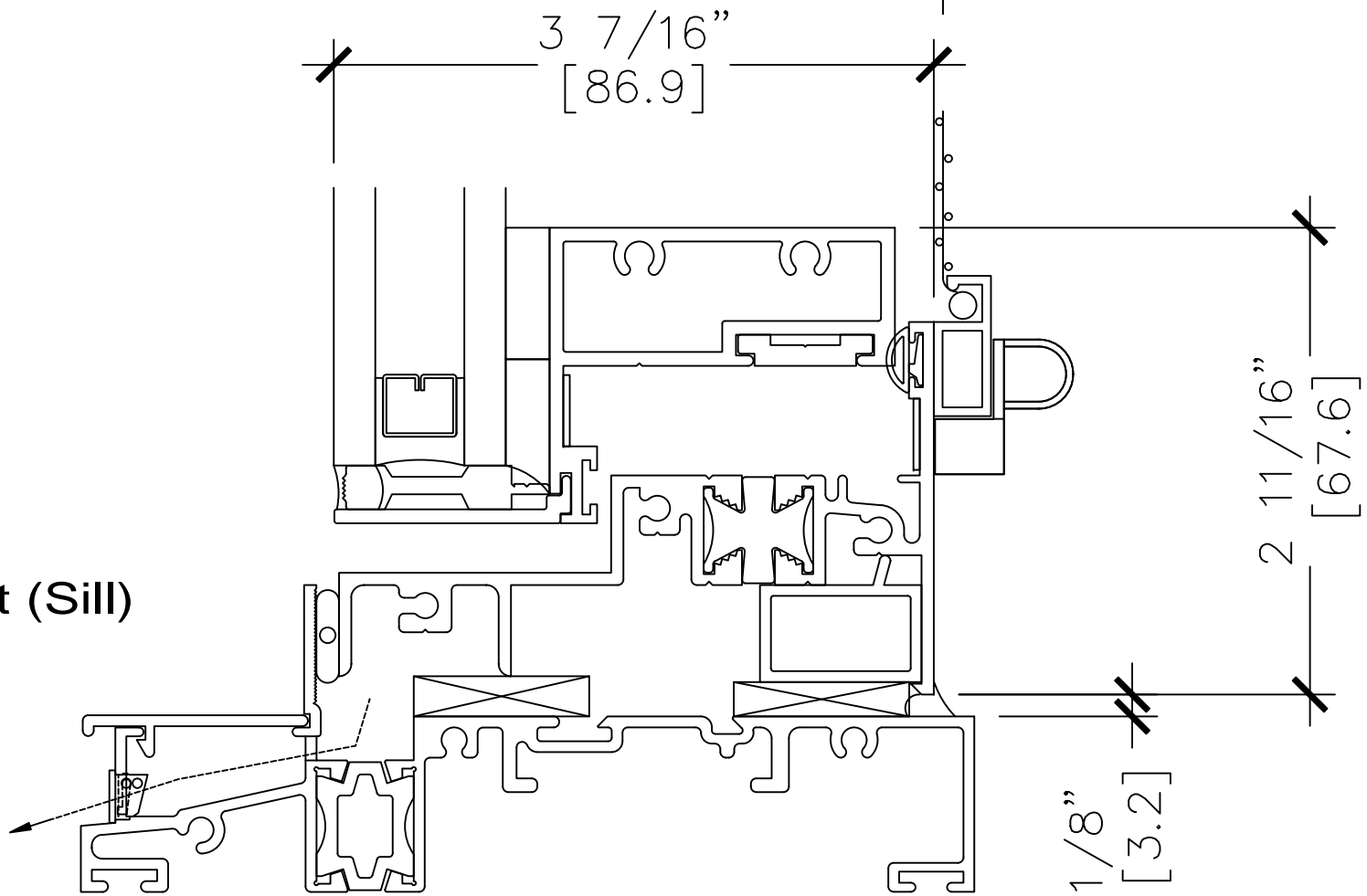


6 Sill @ SSG Vent Insert into 2 Sided Horiz. SSG Curtainwall

8 2020 Open Out
SSG Vent Insert (Head)



9 2020 Open Out
SSG Vent Insert (Sill)



10 2020 Open Out
SSG Vent Insert (Jamb)